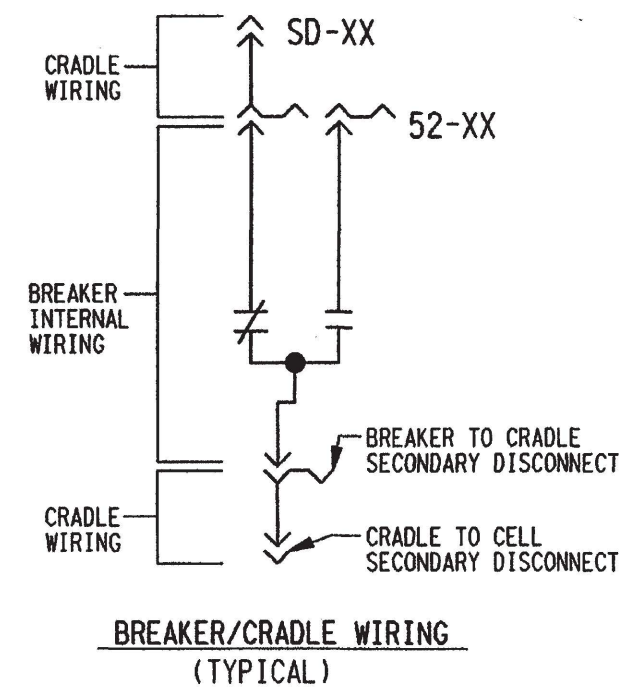
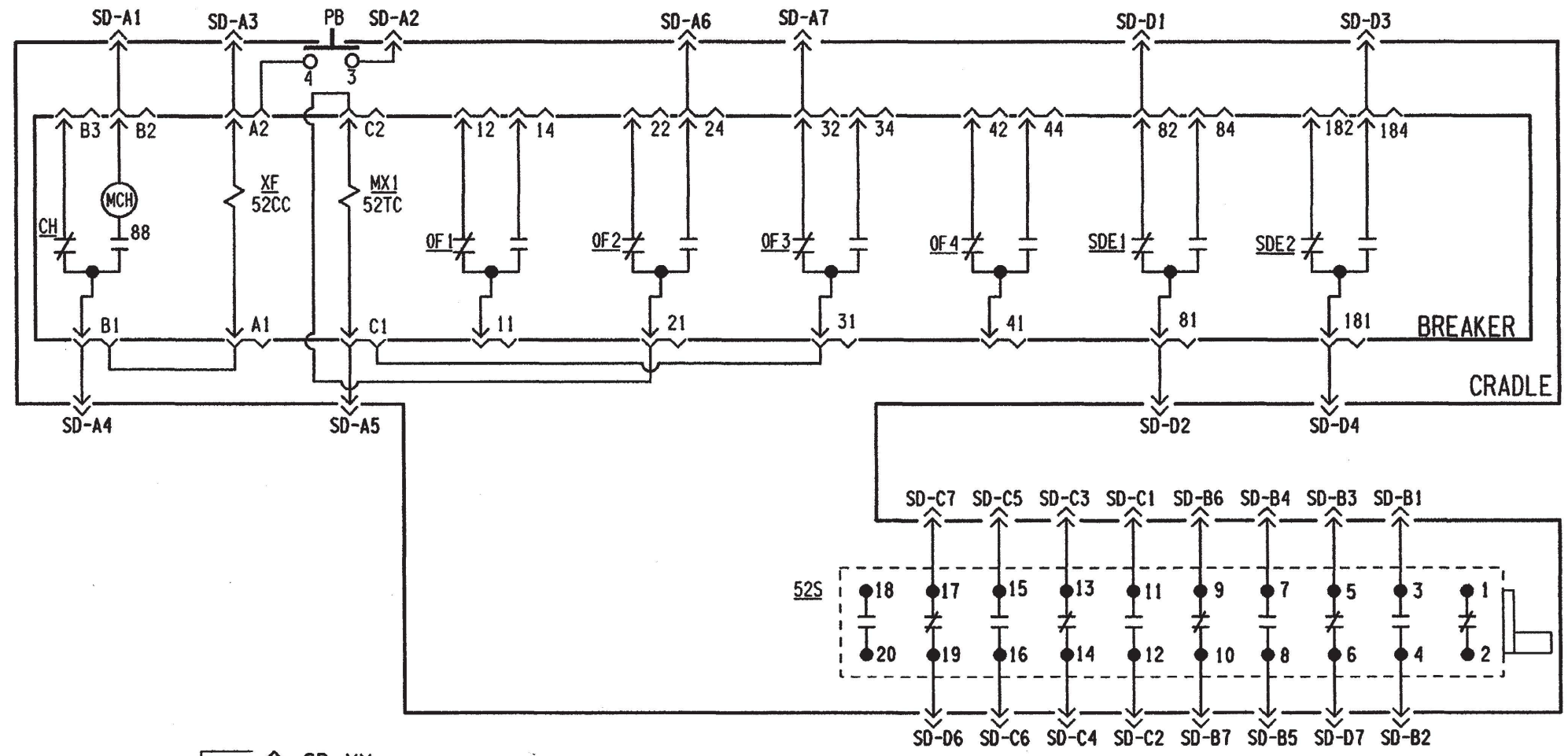


MM	ENGR. SUPV.
SAS	ENGR.
SAS	CH'K
INITIALS ON FILE	BY
INC. DUN 04-0206-002-007 REV.00 & DUN 04-0206-003-007 REV.00 & GEN. UPDATE PER NOTIF. 600556739 FOR DWG. ENHANCEMENT (REDRAWN)	REVISIONS
ISSUED FOR ECR 04-0206-00 PER DUN 04-0206-00-106 REV. 00 PAGE 2 OF 2	DATE
12/21/09	0
12-19-08	0
NO.	NO.



NOMINAL CONTROL VOLTAGE	
CHARGE	125 Vdc
CLOSE	125 Vdc
TRIP	125 Vdc

BREAKER LEGEND		
DES.	DESCRIPTION	ANSI
MCH	CHARGING MOTOR	88
XF	SHUNT CLOSE	52CC
MX1	SHUNT TRIP	52TC
SDE1/SDE2	ELECTRICAL FAULT ALARM	74
OF1 - OF4	AUXILIARY CONTACT	52a/52b
52S	MOC SWITCH #102109LB	52S
PB	PUSHBUTTON, LOCAL CLOSE	N/A
52	BREAKER	52
CH	CHARGING MOTOR CONTACT	N/A

- NOTES:
1. THE MASTERPACT BREAKER AND CRADLE ASSEMBLY IS THE REPLACEMENT FOR THE ORIGINAL GE AK25 BREAKER.
  2. THE STATUS IS SHOWN WITH THE BREAKER CONNECTED, CHARGED AND OPEN.
  3. THE ANTIPUMP FUNCTION IS ACCOMPLISHED BY MEANS OF A MECHANICAL INTERLOCK THAT IS OPERATED BY THE CLOSE COIL. THERE IS NO ELECTRICAL CIRCUIT FOR THE ANTIPUMP FUNCTION.
  4. THE WIRE LABELING WILL NOT MATCH THE CONNECTED TERMINATION POINT BUT WILL REFLECT THE TERMINATION POINT OF THE OPPOSITE WIRE END. LABELING SHOWN IS TERMINATION POINT LABELING AND NOT WIRE LABELING.
  5. 52S, THE MECHANICALLY OPERATED CELL (MOC) SWITCH, CHANGES STATES WITH THE BREAKER MAIN CONTACTS WHEN THE BREAKER IS RACKED INTO EITHER THE "TEST" OR "CONNECT" POSITION. THE MOC SWITCH IS NOT OPERABLE WHEN THE BREAKER IS RACKED INTO THE "DISCONNECT" POSITION.

REFERENCE DRAWINGS  
DAVIS-BESSE FOREIGN PRINT NUMBERS

GE 0122D1165	7749-E-7-57, REV. 11
GE 0122D1166	7749-E-7-58, REV. 8
GE 0122D1167	7749-E-7-59, REV. 11
GE 0122D1168	7749-E-7-60, REV. 8
GE 0122D1169	7749-E-7-61, REV. 11
GE 0122D1183	7749-E-7-76, REV. 12
GE 0122D1184	7749-E-7-77, REV. 7
GE 0122D1185	7749-E-7-78, REV. 11
GE 0122D1186	7749-E-7-79, REV. 9
GE 0122D1187	7749-E-7-80, REV. 11

NL1 0499987-CS-1 E-012N-00006, SH. 1, 6, 16 & 17  
 NL1 0499987-WD-1 E-012N-00008, SH. 1, 6, 16 & 17

THIS DRAWING WAS REDRAWN ON CAD AND SUPERSEDES REV. 0. 1

SCALE NTS	DESIGNED JK	DRAWN SAS	DATE 7-16-09
DAVIS-BESSE NUCLEAR POWER STATION UNIT NO. 1			
GENERAL GUIDES - ELEMENTARY DIAGRAMS UNIT SUBSTATIONS CIRCUIT BREAKER INTERNAL WIRING DIAGRAMS			
DRAWING NO.		SHEET NO.	REV.
E-30B		16E	1