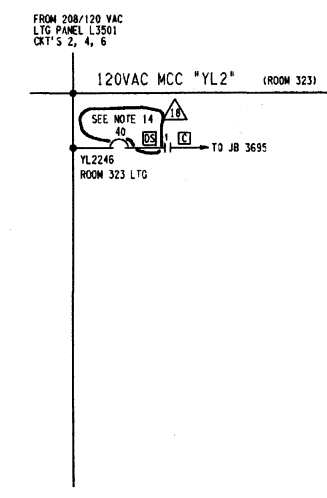
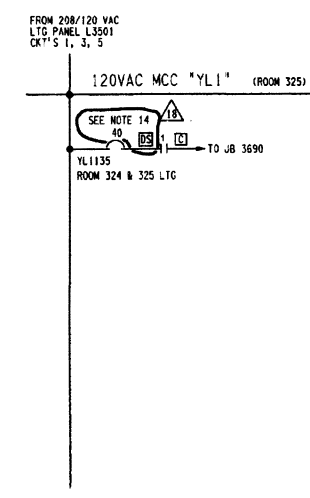
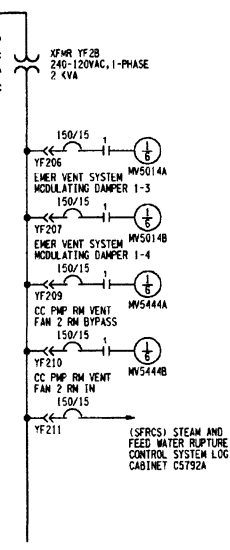
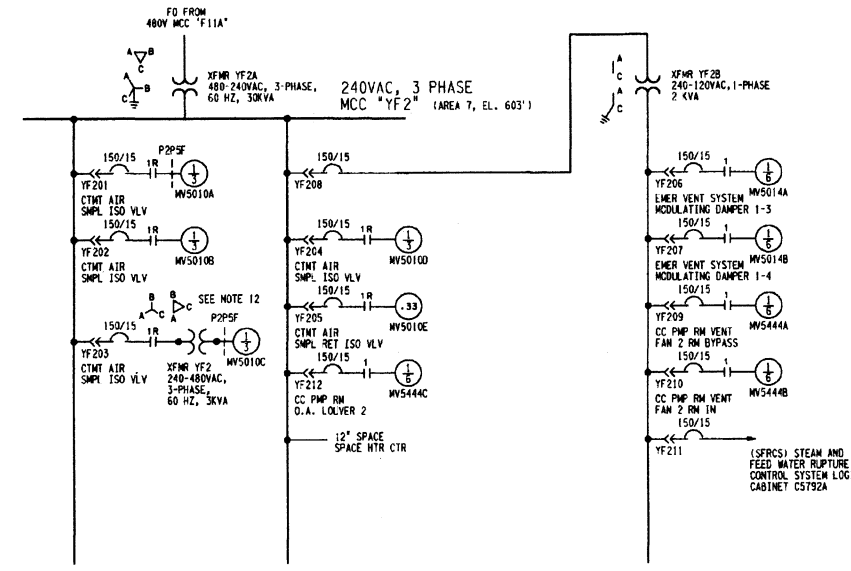


- NOTES**
- UNLESS NOTED, ALL CIRCUIT BREAKERS ARE THERMAL-MAGNETIC TYPE WITH FRAME SIZE (X) AND CONTINUOUS RATING (Y) AT 40% AMBIENT, SHOWN AS XY ABOVE BREAKER SYMBOL.
 - FOR LOADS LOCATED INSIDE CONTAINMENT VESSEL THE CONTAINMENT VESSEL PENETRATION NUMBERS ARE IDENTIFIED AS SHOWN BELOW:
 () PENETRATION NO.
 - ALL MAIN INCOMING FEEDERS ENTER THE MCC'S FROM ABOVE.
 - ALL STARTERS HAVE A THERMAL OVERLOAD RELAY ON EACH POLE. NEMA STARTER SIZE IS SHOWN ABOVE THE STARTER SYMBOL.
 - MAIN HORIZONTAL BUSBARS HAVE A 600A CONTINUOUS RATING.
 - VERTICAL BUSBARS HAVE CONTINUOUS CURRENT RATINGS OF 300A.
 - UNLESS OTHERWISE NOTED POWER CABLES ARE TO BE SIZED AS FOLLOWS:
 (1) MOTOR FEEDERS: STARTER NEMA SIZE CABLE SIZE NO. 12 AWG
 (2) MOTOR HORSE POWER INDICATED THIS IS SHOWN ABOVE THE STARTER SYMBOL. TYPICAL EXAMPLES:
 1 NEMA SIZE 1 NON REVERSING
 1R NEMA SIZE 1 REVERSING
 - ALL 240VAC MOTORS ARE 3-PHASE.
 - ALL 120VAC MOTORS ARE 1-PHASE.
 - NEUTRAL OF THIS XFMR IS TO BE ISOLATED AND NOT TIED TO THE SUPPLY NEUTRAL.
 - FOR 480-240VAC TRANSFORMER TAP SETTINGS SEE DWG. E-1, SH. 3.
 - THIS 40 AMP MOLDED CASE CIRCUIT BREAKER IS CLASSIFIED AS A LOCAL DISCONNECT SWITCH BASED UPON EXTREMELY OVERSIZED, AS SUCH NO FAULT PROTECTION WILL BE PROVIDED BY FL1135 OR FL2246. (ECP 11-0837)



THIS DRAWING WAS REDRAWN ON CADD AND SUPERSEDES REVISION 13

INC. DUN 11-0837-001 REV. 00	DATE	BY	CHKD	APP'D
INC. UPDATE PER DCR E-9-14 FOR ECP 04-0200-00 (CR 03-02620)		SW	JOR	PKU
INC. DCR E-9-13 PER ECR 03-0420-00 REV. 0 (ECP 03-02620)		SW	JOR	PKU
INC. DCR E-9-12 PER DCR 00-0046		SW	DVE	HLB
INC. UPDATE FOR DMO ENHANCEMENT (REDRAWN) (END DMO CHANGE)		SW	DVE	HLB
NO.	DATE	REVISION	BY	CHKD
SCALE	NONE	DESIGNED	DATE	09-29-97

DAVIS-BESSE NUCLEAR POWER STATION
UNIT NO. 1

240VAC AND 120VAC
MCC'S (ESSENTIAL)
ONE LINE DIAGRAM

REV. E-9 18