

AEC DISTRIBUTION FOR PART 50 DOCKET MATERIAL  
(TEMPORARY FORM)

CONTROL NO: 3120

FROM: Niagara Mohawk Power Corporation Syracuse, N.Y. 13202 P. Allister Burt	DATE OF DOC:  6-2-72	DATE REC'D  6-8-72	LTR  X	MEMO	RPT	OTHER
TO:  Mr. Skovholt	ORIG  1	CC	OTHER	SENT AEC PDR <input checked="" type="checkbox"/>		
CLASS: <u>U</u> /PROP INFO	INPUT	NO CYS REC'D  40	DOCKET NO:  50-220			

DESCRIPTION:  
Ltr reporting an incident on 6-2-72, regarding a problem with the electromatic relief valves & trans the following:

ENCLOSURES:  
Consolidated Electromatic Relief Valve  
6"- Type 1525-VX (Drawing)

**DO NOT REMOVE**

**ACKNOWLEDGED**

PLANT NAMES: Nine Mile Point

( 40 cys of encl rec'd )

FOR ACTION/INFORMATION			6-8-72	AB
BUTLER(L) W/ Copies	KNIEL(L) W/ Copies	VASSALLO(L) W/ Copies	✓ ZIEMANN(L) W/9 Copies	KNIGHTON(ENVIRO) W/ Copies
CLARK(L) W/ Copies	SCHWENCER(L) W/ Copies	H. DENTON W/ Copies	CHITWOOD(FM) W/ Copies	W/ Copies
GOLLER(L) W/ Copies	STOLZ(L) W/ Copies	SCHEMEL(L) W/ Copies	DICKER(ENVIRO) W/ Copies	W/ Copies

INTERNAL DISTRIBUTION			
✓ REG FILES	✓ STELLO-L	✓ VOLLMER-L	KARAS-L L/A PWR
✓ AEC PDR	✓ MOORE-L	✓ DENTON-L (4)	MASON-L L/A BWR
✓ REG OPER (2)	LANGE-L	GRIMES-L	BROWN-L L/A PWR
✓ OGC-RM P-506	PAWLICKI-L	GAMMILL-L	WILSON-L L/A PWR
✓ MUNTZING & STAFF	✓ THOMPSON-L	KNIGHTON-ENVIRO	KARI-L L/A BWR
GIAMBUSSO-L	✓ TEDESCO-L	DICKER-ENVIRO	SMITH-L L/A BWR
✓ BOYD-L-BWR	✓ LONG-L	PROJ LDR ENVIRO:	GEARIN-L L/A BWR
DEYOUNG-L-PWR	✓ LAINAS-L		DIGGS-L L/A
MULLER-L-ENVIRO	SHAO-L	SALTZMAN-IND.	TEETS-L L/A
SKOVHOLT-L-OPER	BENAROYA-L	McDONALD-PLANS	WADE-L L/A ENVIRO
✓ KNUTH-L	✓ MORRIS-RO	NUSSBAUMER-FM	BRAITMAN-A/T
✓ MACCARY-L	DUBE-L	SMILEY-FM	HARLESS-ENVIRO
✓ SCHROEDER-L	✓ E. CASE-L	P. COLLINS-L	

EXTERNAL DISTRIBUTION

- |                                      |  |                          |
|--------------------------------------|--|--------------------------|
| ✓ 1-LOCAL PDR <u>Oswego, N.Y.</u>    | 9-NATIONAL LAB'S<br>ANL/ORNL/BNWL        | 1-SAN/LA/NY--PDR         |
| ✓ 1-DTIE-(LAUGHLIN)                  | 1-R. CARROLL-OC, GT                      | 1-CHIEF WATER REACTORS   |
| ✓ 1-NSIC-(BUCHANAN)                  | 1-R. CATLIN, A-170, GT                   | 1-RD....E. HALL F-309 GT |
| 1-ASLB-YORE/SARYE<br>WOODWARD/H. ST. | 1-CONSULTANT'S<br>NEWMARK/BLUME/AGBABIAN |                          |
| 1-C. MILES-C-459, GT                 | 1-DR. GERALD S. LELLOUCHE                |                          |
| ✓ 16 CYS ACRS-HOLDING                | BROOKHAVEN NATIONAL LAB                  |                          |

1940

( )

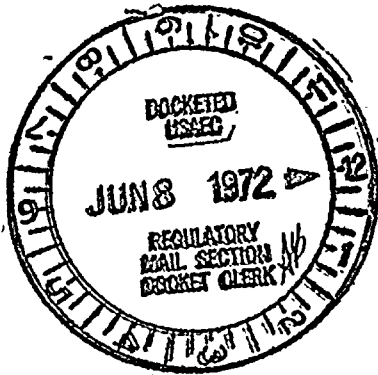
( )

Regulatory

File Cy.

NIAGARA MOHAWK POWER CORPORATION

NIAGARA  MOHAWK



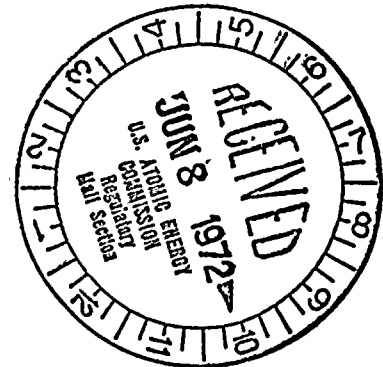
Nine Mile Point Nuclear Station  
Post Office Box 32  
Lycoming, New York 13093

June 2, 1972

Mr. Donald J. Skovholt  
Assistant Director for Reactor Operations  
Division of Reactor Licensing  
United States Atomic Energy Commission  
Washington, D. C. 20545

Dear Mr. Skovholt:

Re: Provisional Operating License: DPR-17  
Docket No.: 50-220



During the annual inspection outage of Nine Mile Point Unit #1, which will terminate tomorrow, June 3, 1972, a problem with the electromatic relief valves was disclosed. There are three 6" Consolidated Electromatic Relief Valves, Type 1525-VX, installed on each of the two steam lines within the drywell for a total of six. Three are required for depressurization on loss of coolant accident and five are required to maintain pressure margin between peak transient pressure and lowest safety valve setting on turbine trip without bypass.

On one valve, the locking screw, Part #8 on enclosed drawing, had become unscrewed allowing lock retainer Plate #7 to fall free (both parts were recovered in the turbine stop valve strainer basket). This permitted the disc retainer, Part #6, to completely back-out falling to the bottom of the valve body. In this condition, it would be impossible to bleed enough steam from Chamber "C" to open the valve as it would be wide open to Chamber "A" and would not have the benefit of the restricting orifice in the retainer plate.

One other valve was found with the locking screw, Part #8, backed out 1/16" but the lock retainer plate and disc retainer had not moved, therefore the valve was operable. Tie-wires holding the locking screws were broken on all six valves.

3120

LB



[The main body of the page contains extremely faint and illegible text, likely bleed-through from the reverse side of the document. The text is scattered across the page and cannot be transcribed.]

Mr. Donald J. Skovholt

-2-

June 2, 1972

Repair was effected to all six valves by removing the locking screw, Part #8, and lock retainer plate, Part #7. In their place, four 1/4" V grooves, 1" long, were cut in the joint between the disc retainer and the valve body insert. These were stitch welded together. Future maintenance may be accomplished by grinding out the stitch weld. In this manner, there can be no loose parts on the valves to drop into the steam lines and dependability of valve operation is increased.

Very truly yours,



P. Allister Burt  
General Superintendent  
Nuclear Generation

PAB:pw

Enclosure



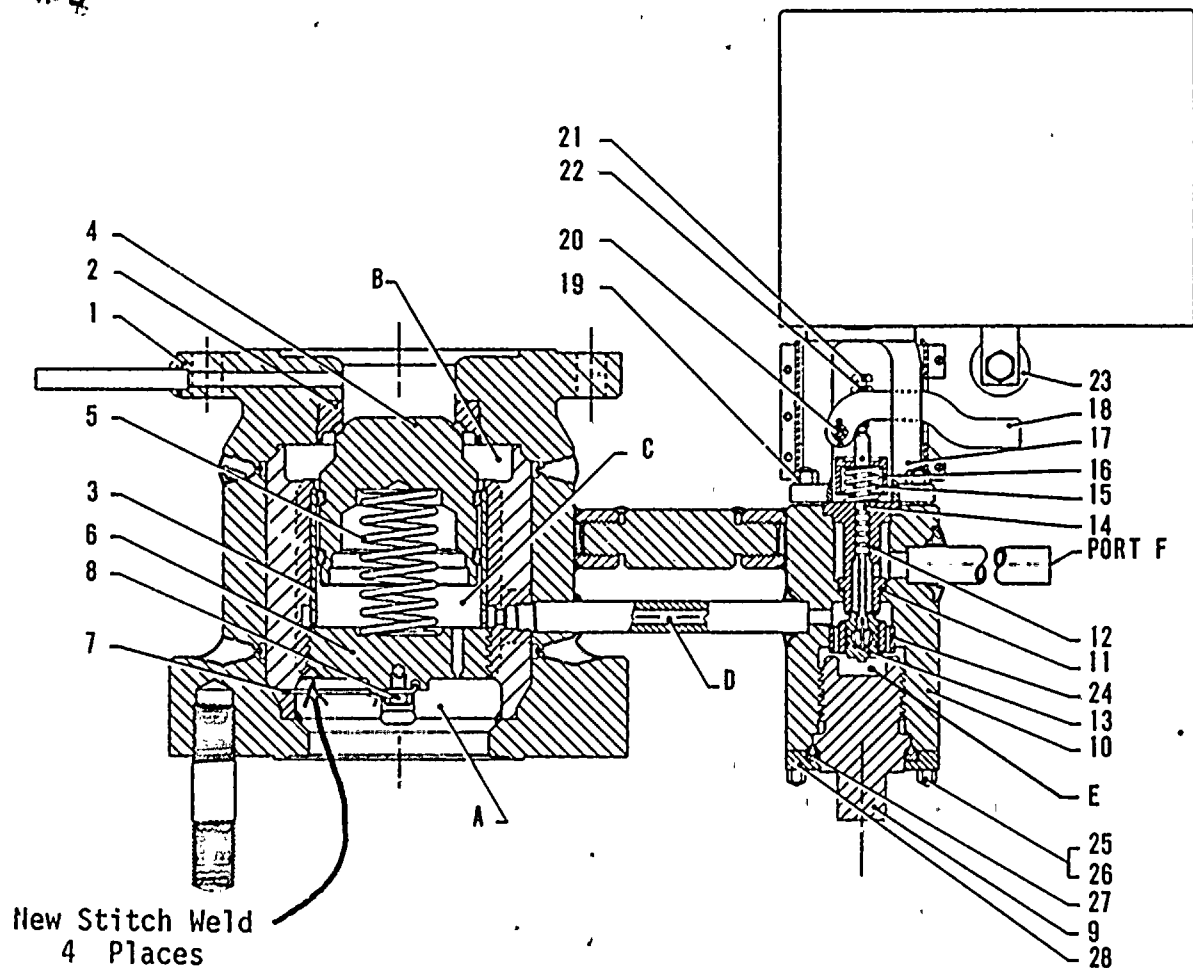
...

...

[Faint, illegible text spanning the middle of the page]

...

[Faint, illegible text at the bottom of the page]



## CONSOLIDATED ELECTROMATIC RELIEF VALVE

6" - TYPE 1525-VX

### Effected Parts

- #4 Valve Disc.
- #6 Disc Retainer
- #7 Lock Retainer Plate
- #8 Locking Screw

When normally closed, steam pressure is equal in Chambers "A", "B" and "C". Disc 4 is held to seat by greater force in "C" over "B" (difference in projected areas) and spring.

Valve operates when pressure in "C" is decreased by opening of pilot valve. Higher total force in "B" then pushes Disc 4 away from seat allowing steam to discharge.

