

NOTES:
 1. SCALE 3/8" = 1'-0", UNLESS OTHERWISE NOTED.
 2. GENERAL NOTES & REFERENCES, EK-400A.

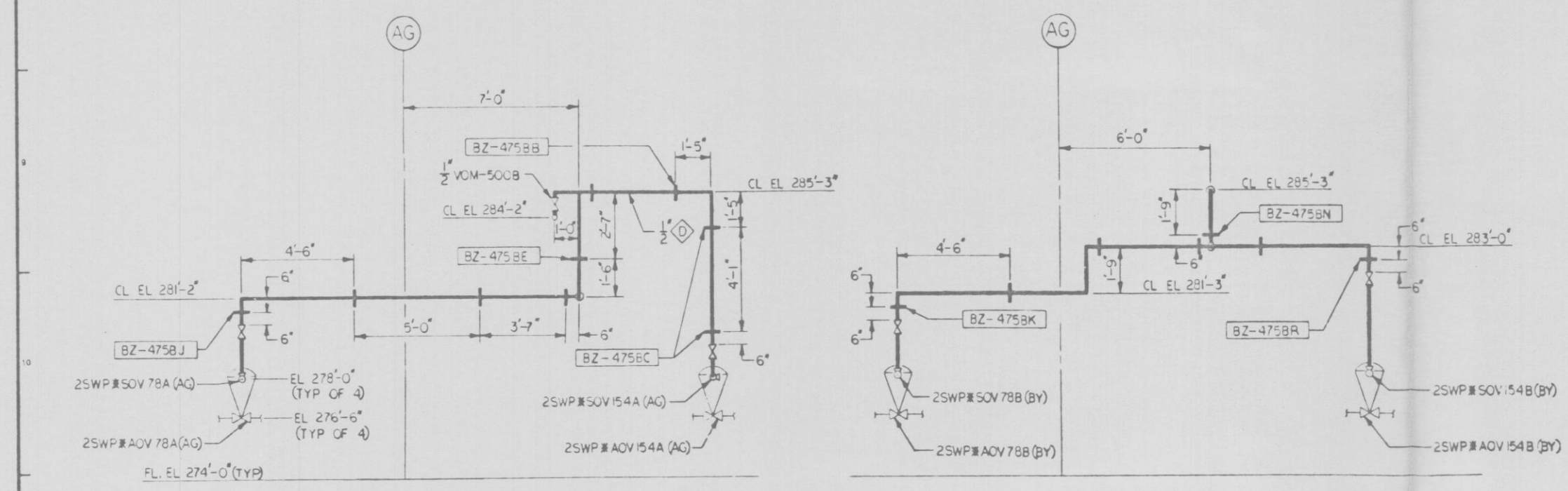
PRC APERTURE CARD



APPROVED: *Robert Plotnik* 59006
 LICENSED PROFESSIONAL ENGINEER
 STATE OF NEW YORK

NUCLEAR SAFETY RELATED
 QA CAT I,II

INSTRUMENT PIPING
 CONTROL BUILDING
 PLAN EL 2610
 NINE MILE POINT NUCLEAR STATION - UNIT 2
 NIAGARA MOHAWK POWER CORPORATION
 STONE & WEBSTER ENGINEERING CORPORATION
 CHERRY HILL, N.J.
 DRAWING NUMBER 12177EK-400D-1
 DESIGNED BY A. LLOYD
 DRAWN BY R. DERER
 CHECKED BY W. MAHLE



ISSUE	DESCRIPTION	CHG	DATE	ISSUE	DESCRIPTION	CHG	DATE	ISSUE	DESCRIPTION	CHG	DATE	ISSUE	DESCRIPTION	CHG	DATE
1	ORIGINAL ISSUE			1	ORIGINAL ISSUE			1	ORIGINAL ISSUE			1	ORIGINAL ISSUE		
2	FOR CONSTRUCTION			2	FOR CONSTRUCTION			2	FOR CONSTRUCTION			2	FOR CONSTRUCTION		