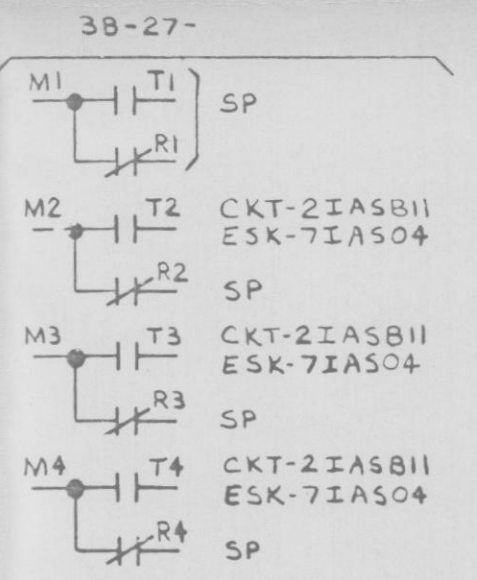
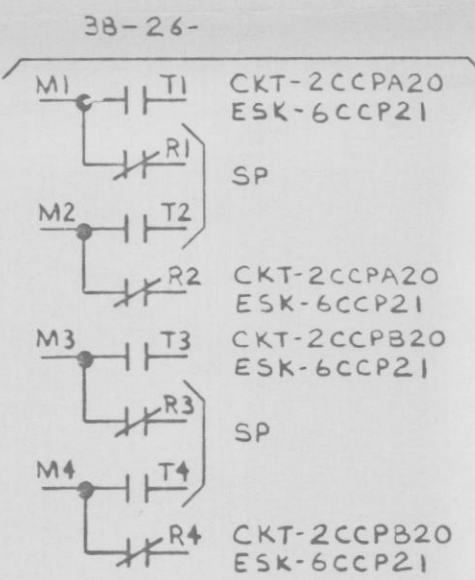
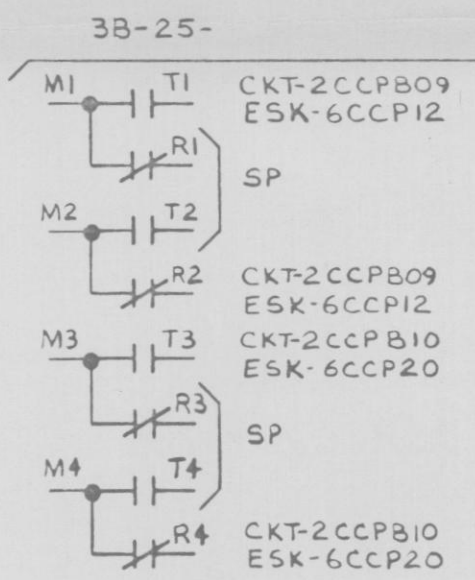
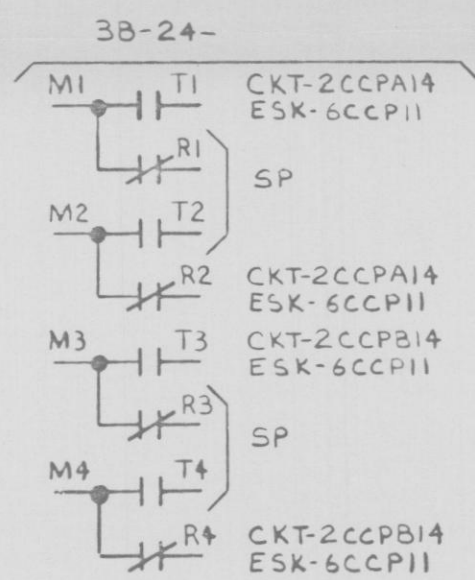
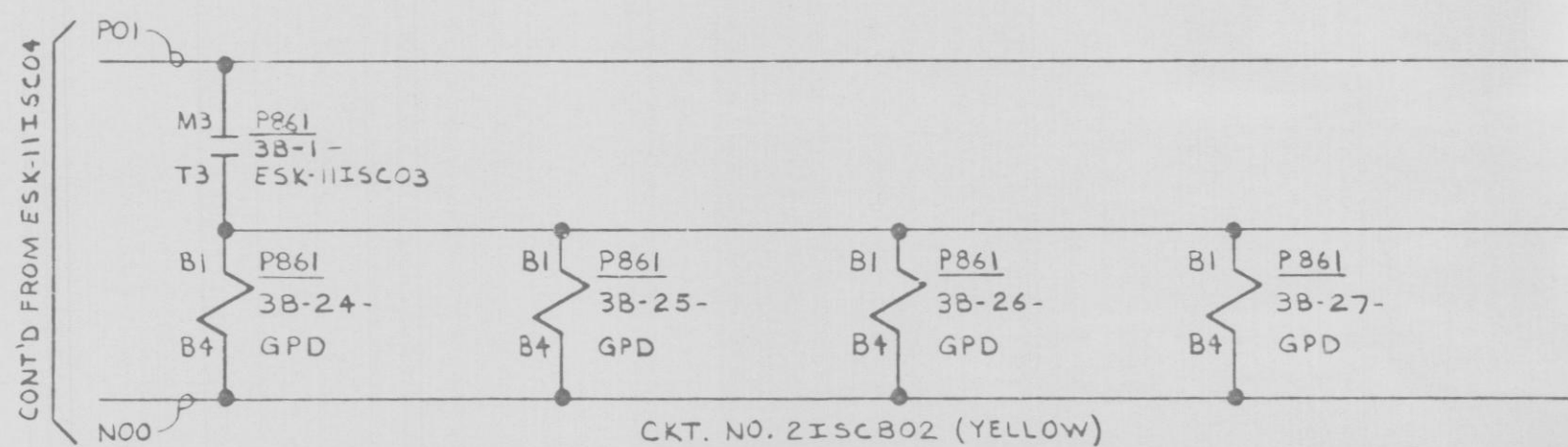


1



PRC
APERTURE
CARD

NUCLEAR SAFETY RELATED
QA CAT I

DC ELEM DIAG
CONTAINMENT ISOLATION LOGIC
NINE MILE POINT NUCLEAR STATION-UNIT 2
NIAGARA MOHAWK POWER CORPORATION
STONE & WEBSTER ENGINEERING CORPORATION

7	6	5	4	3	2	1
---	---	---	---	---	---	---

DESIGN CONTROL ISSUE
RM
12177-ESK-IIISCO6

GE MED
GE LSTG