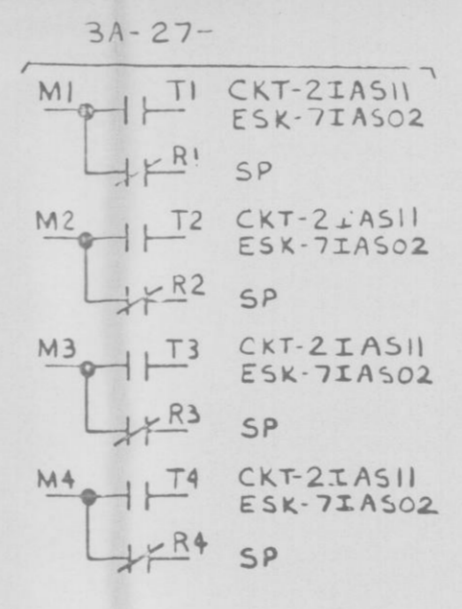
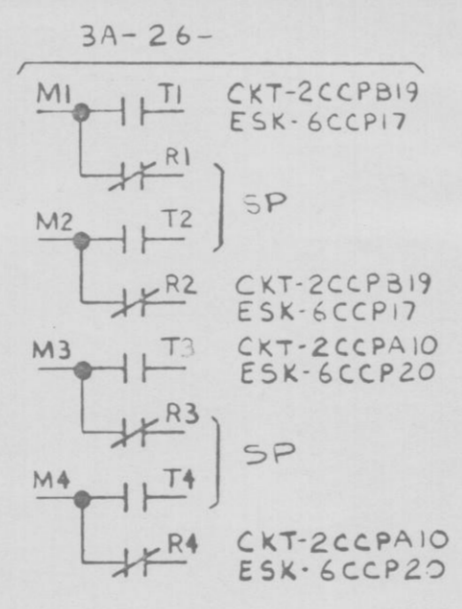
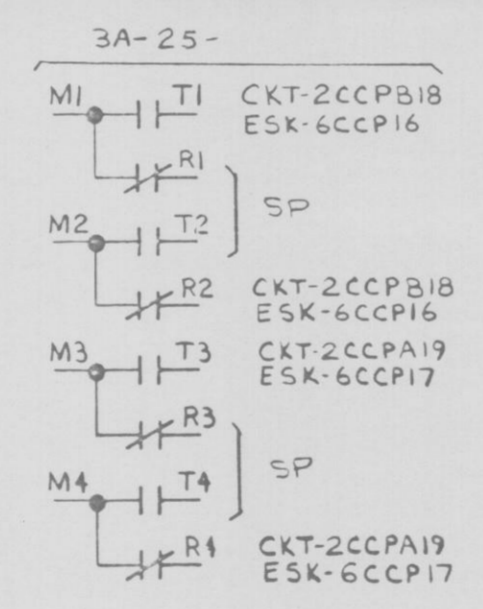
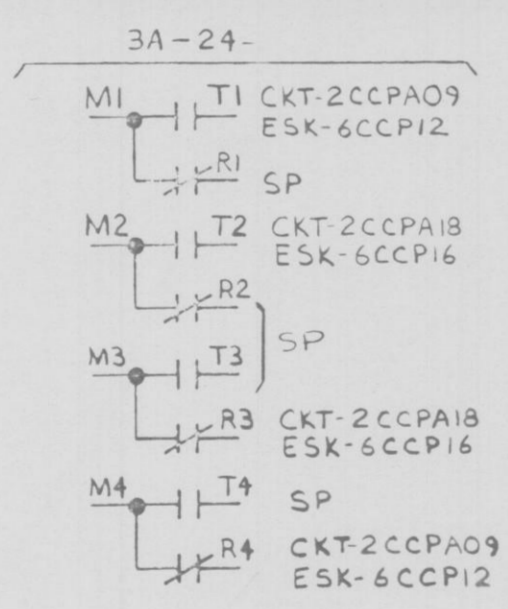
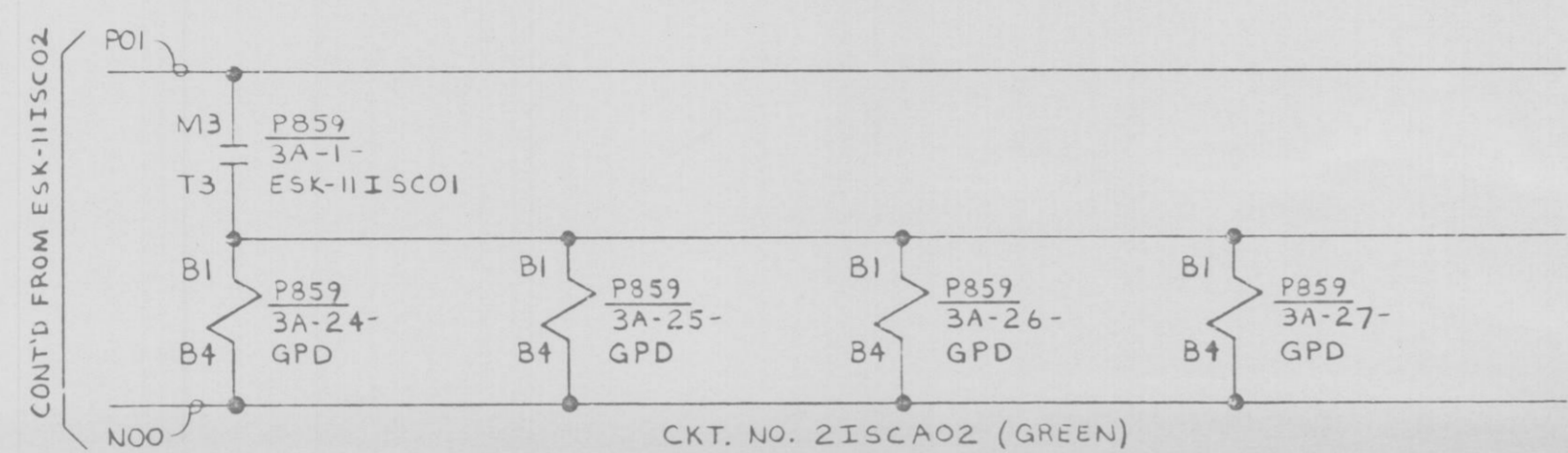


1



PROC APERTURE CARD D

NUCLEAR SAFETY RELATED
QA CAT I

DC ELEM DIAG
CONTAINMENT ISOLATION LOGIC
NINE MILE POINT NUCLEAR STATION-UNIT 2
NIAGARA MOHAWK POWER CORPORATION
STONE & WEBSTER ENGINEERING CORPORATION
12177-ESK-IIISCO5

DESIGN CONTROL ISSUE

7	6	5	4	3	2	1
---	---	---	---	---	---	---

RM

A 5218 4

GE LSTG
GE MED