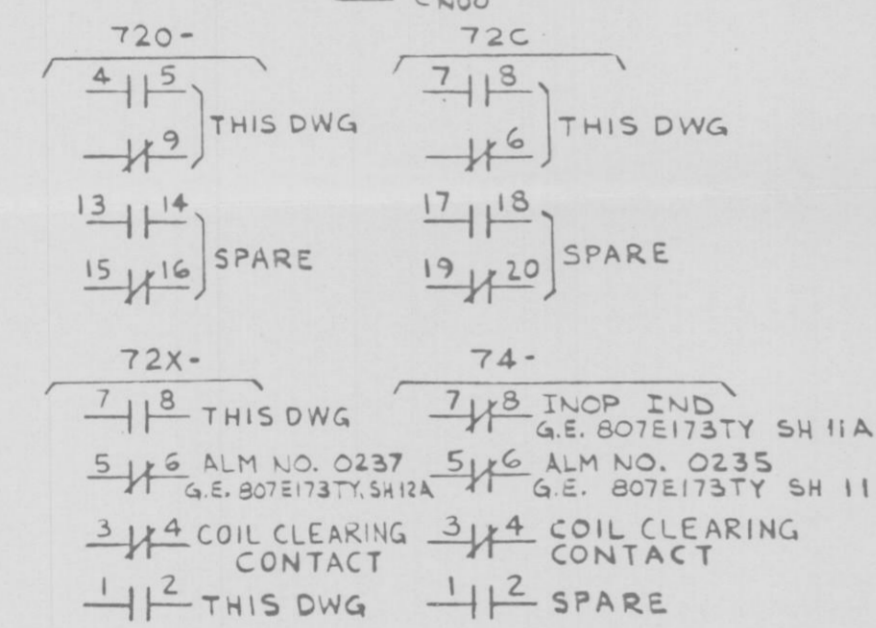
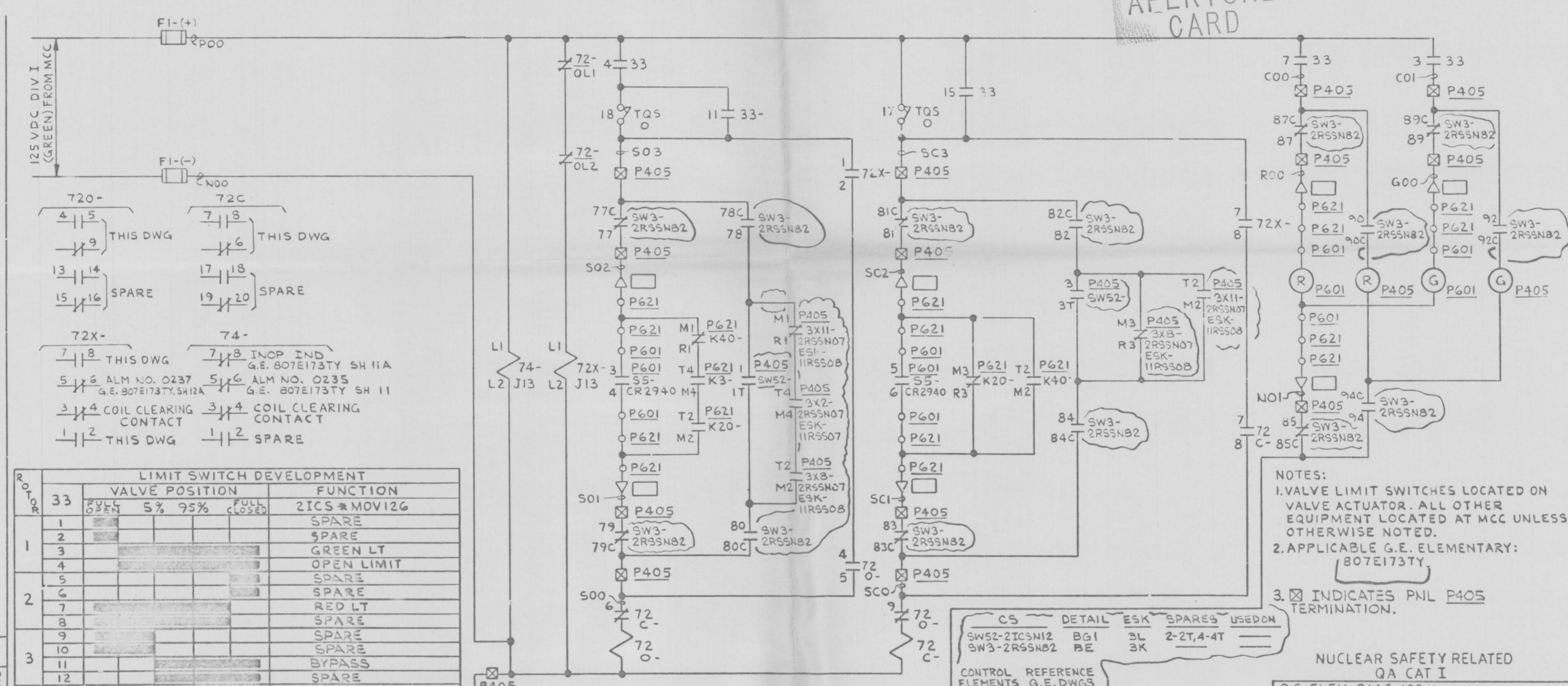


PRC  
APERTURE  
CARD



ROW	LIMIT SWITCH DEVELOPMENT				FUNCTION
	VALVE POSITION		FUNCTION		
33	FULL OPEN	5% 95%	FULL CLOSED	2ICS * MOV126	
1				SPARE	
2				SPARE	
3				GREEN LT	
4				OPEN LIMIT	
5				SPARE	
6				SPARE	
7				RED LT	
8				SPARE	
9				SPARE	
10				SPARE	
11				BYPASS	
12				SPARE	
13				SPARE	
14				SPARE	
15				BYPASS	
16				SPARE	
TORQUE SW	CLOSING TORQUE SWITCH INTERRUPTS CLOSING CIRCUIT IF MECHANICAL OVERLOAD OCCURS DURING CLOSING CYCLE				
SW	OPENING TORQUE SWITCH INTERRUPTS CLOSING CIRCUIT IF MECHANICAL OVERLOAD OCCURS DURING OPENING CYCLE				

NOTES:  
1. VALVE LIMIT SWITCHES LOCATED ON VALVE ACTUATOR. ALL OTHER EQUIPMENT LOCATED AT MCC UNLESS OTHERWISE NOTED.  
2. APPLICABLE G.E. ELEMENTARY: 807E173TY  
3. ☒ INDICATES PNL P405 TERMINATION.

CS	DETAIL	ESK	SPARES	USED ON
SWS2-2ICSNI2	BG1	3L	2-2T, 4-4T	
SW3-2R55N82	BE	3K		

CONTROL REFERENCE ELEMENTS G.E. DWGS  
S5 807E173TY, SH.8  
K3 SH.4  
K20 SH.5  
K40 SH.5

RCIC INJECTION SHUTOFF MOV126 (G.E. NO. ESI-FO13)  
MCC 2DMS \* MCCAI CKT NO. 2ICSNI2 (GREEN)

NUCLEAR SAFETY RELATED  
QA CAT I  
DC ELEM DIAG 125 V  
RCIC INJECTION SHUTOFF VALVE  
NINE MILE POINT NUCLEAR STATION-UNIT 2  
NIAGARA MOHAWK POWER CORPORATION  
STONE & WEBSTER ENGINEERING CORPORATION  
12177-ESK-11ICS05

7	6	5	4

GE-LSYGC  
GE-NED

D