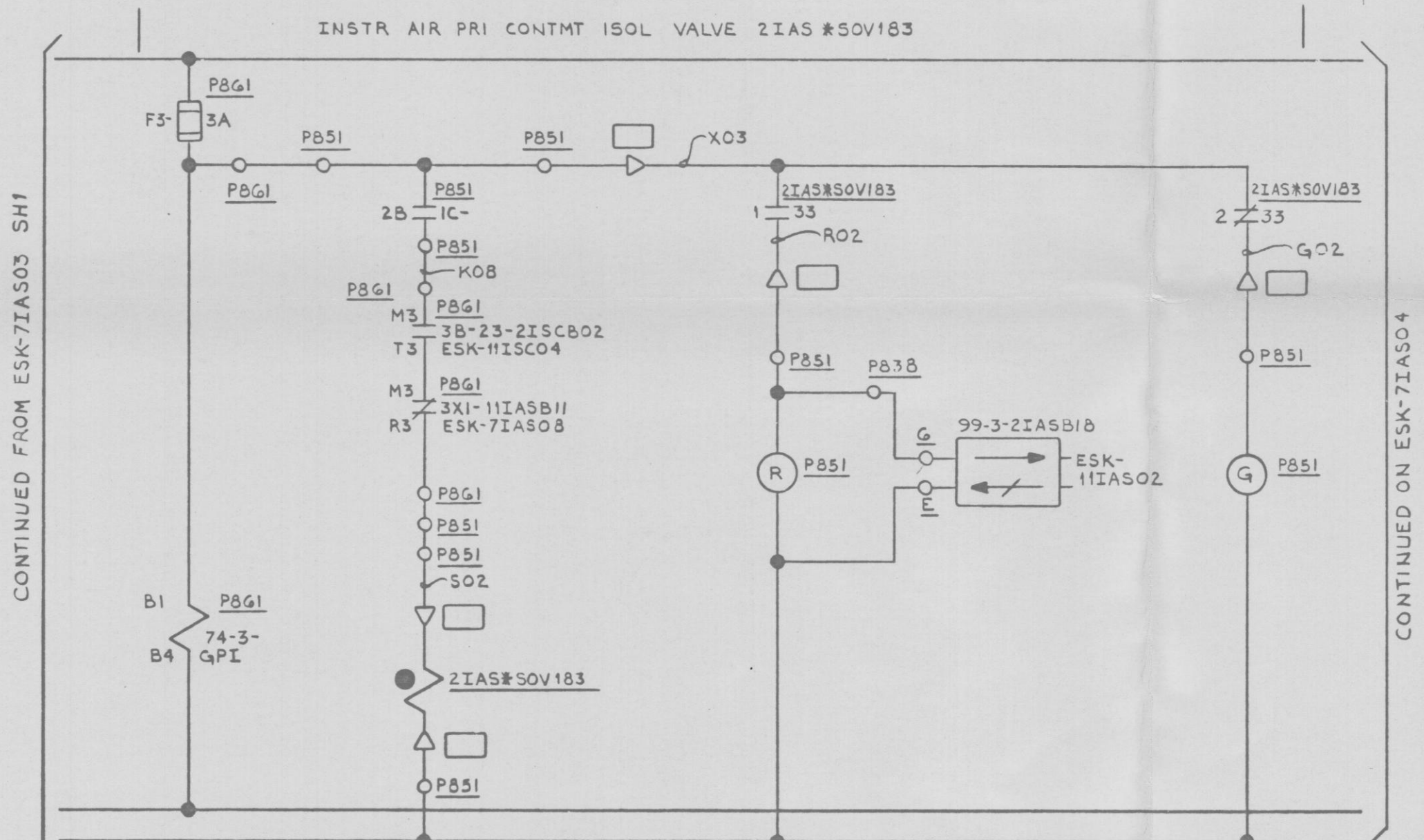


INSTR AIR PRI CONTMT ISOL VALVE 2IAS#SOV183

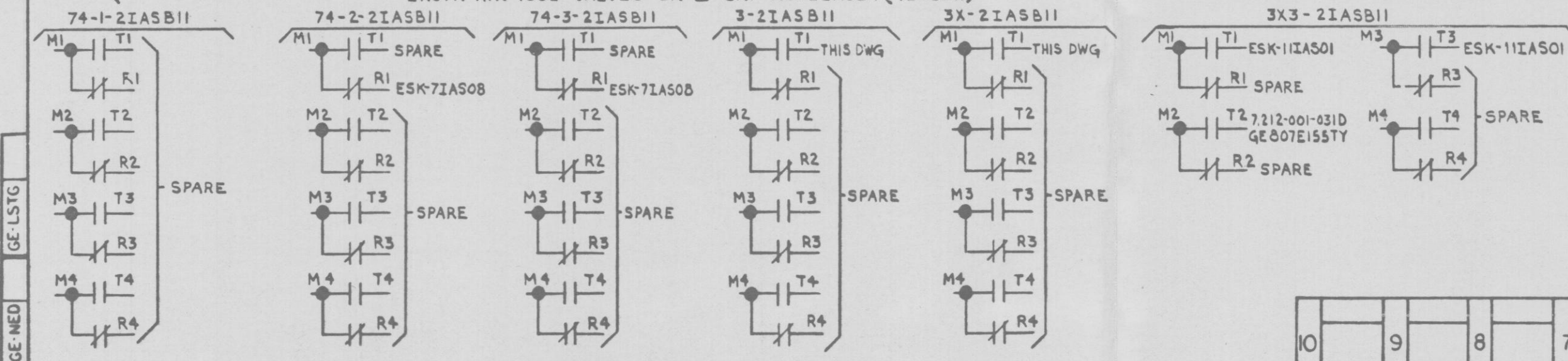


CONTINUED FROM ESK-7IAS03 SH1

CONTINUED ON ESK-7IAS04

PRC
APERTURE
CARD

INSTR AIR ISOL VALVES DIV II CKT NO. 2IASB11 (YELLOW)



NUCLEAR SAFETY RELATED
QA CAT I

AC ELEM DIAG - MISC AC CKT
INSTR AIR ISOL VALVES DIV II
NINE MILE POINT NUCLEAR STATION - UNIT 2
NIAGARA MOHAWK POWER CORPORATION
STON & WEDDER ENGINEERING CORPORATION

REDRAWN
DESIGN
CONTROL
ISSUE 2

5
ECN 008,
014, 023,
018

12177-ESK-7IAS03 SH2
OF 2

10	9	8	7	6	5
----	---	---	---	---	---

D