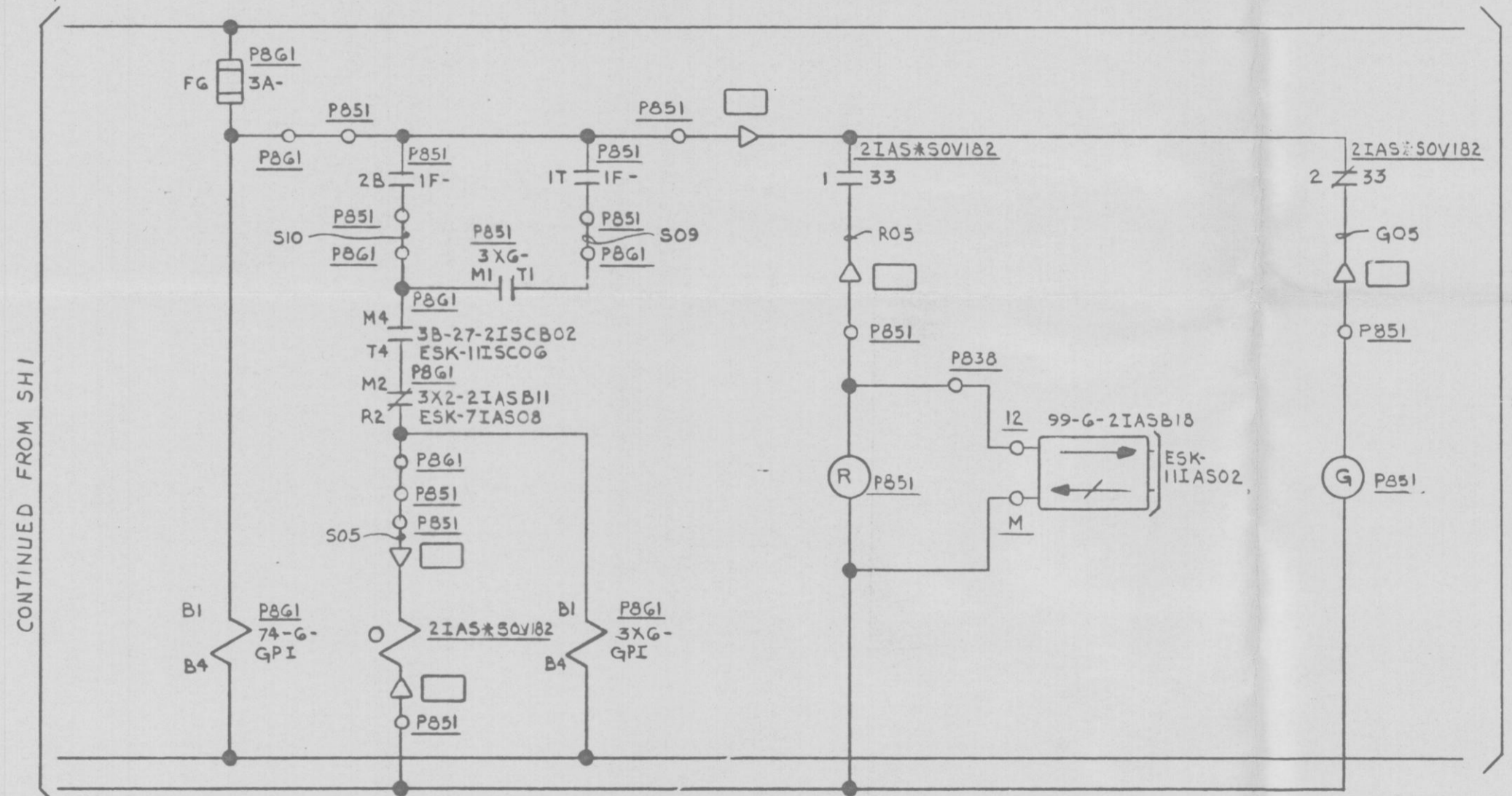


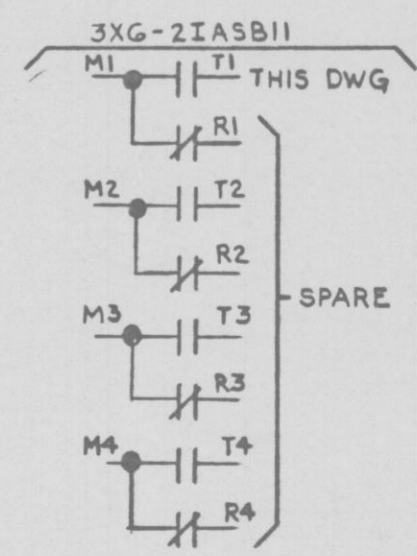
INSTR AIR PRI CONTMT ISOL VALVE 2IAS*SOV182



CONTINUED FROM SH1

CONTINUED ON ESK-7IAS08

PRI CONTMT ISOL VALVES DIV II CKT NO. 2IASB11 (YELLOW)



PRC
APERTURE
CARD

GE-NEE
GE-LSIG

NUCLEAR SAFETY RELATED
QA CAT I

AC ELEM DIAG - MISC AC CKTS
INTR AIR ISOL VALVE DIV II
NINE MILE POINT NUCLEAR STATION - UNIT 2
NIAGARA MOHAWK POWER CORPORATION

STONE & WEBSTER ENGINEERING CORPORATION

10	9	8	7	6	5	4	3	2	1
----	---	---	---	---	---	---	---	---	---

REDRAWN
DESIGN
CONTROL
ISSUE 2

5-24-82
ECN-008,
015,026



12177-ESK-7IAS04 SH2
OF2

D