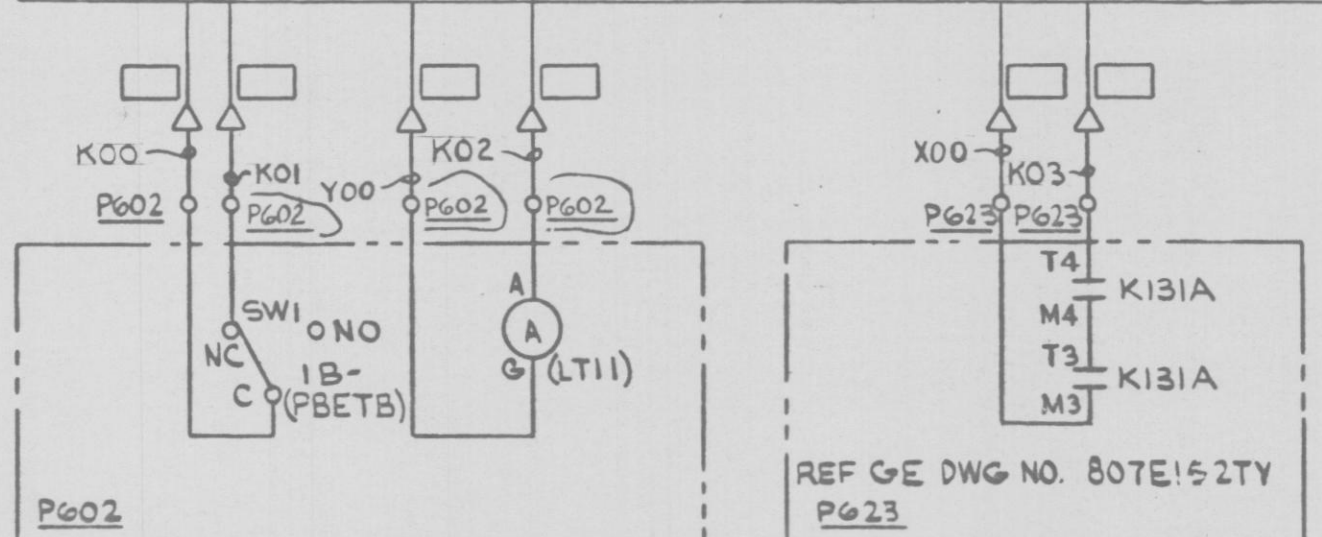
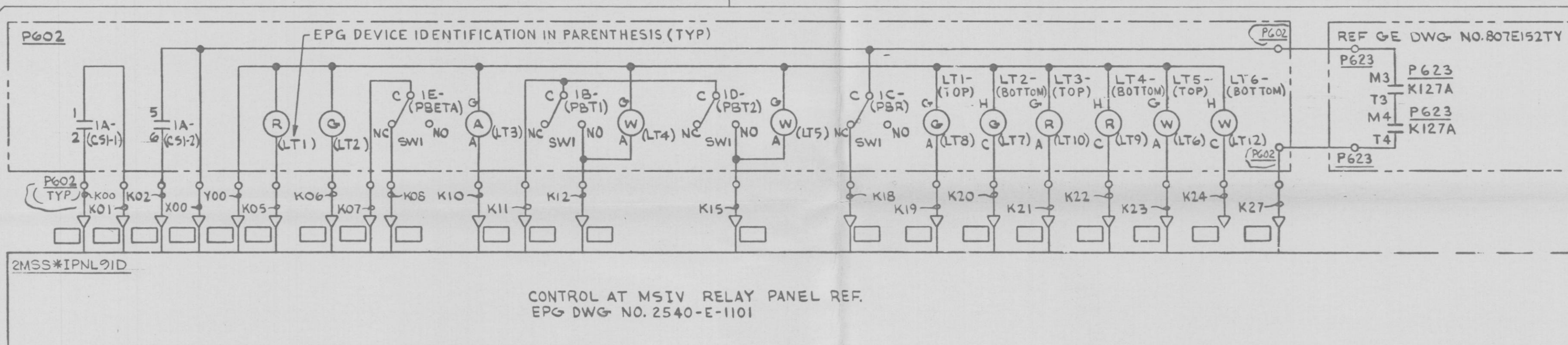


MAIN STEAM ISOL VALVE (OUTBD) 2MSS*HYV7D (B22-F028D) CKT NO. 2MSSD18 (GREEN) RPS-UPS "B", NOTES 2 & 3



- NOTES:
- 1. FOR COMPLETE CONT OF MAIN STM ISOL VALVE REFER TO EPG DWG 2538E1101.
 - 2. CIRCUITS 2MSSD18 AND 2MSSD19 ARE ASSOCIATED WITH NON ESSENTIAL REDUNDANT POWER SUPPLIES (RPS-UPS "A" & "B" RESPECTIVELY) AND CABLES ASSOCIATED WITH EACH CIRCUIT MUST BE ROUTED IN SEPARATE GROUNDED CONDUITS.
 - 3. CABLES OF SAME COLOR AND POWERED FROM SAME SOURCE MAY BE ROUTED IN SAME CONDUIT.

CS	DETAIL	ESK	SPARES	USED ON
1A-2MSSD18	UI	3C	3-4, 7-8	
1B-2MSSD18	MR	3E	SW2	
1C-2MSSD18	MN	3E	SW2	
1D-2MSSD18	MR	3E	SW2	
1E-2MSSD18	MN	3E	SW2	
1B-2MSSD19	MN	3E	SW2	

NUCLEAR SAFETY RELATED
QA CAT I

AC ELEM DIAG-MISC AC CKTS
MAIN STM ISOL VALVE 2MSS*HYV7D CONT
NINE MILE POINT NUCLEAR STATION-UNIT 2
NIAGARA MOHAWK POWER CORPORATION

STORZ & WADSWORTH ENGINEERING CORPORATION
12177-ESK-7MSS20

PRC
APERTURE
CARD

6	5	4	3	2	1
			10/6/82 ECN-013	11/20/80 DESIGN CONTROL ISSUE 2	11/20/80 DESIGN CONTROL ISSUE 1
				ML	APM

GE-1STG
GE-NED