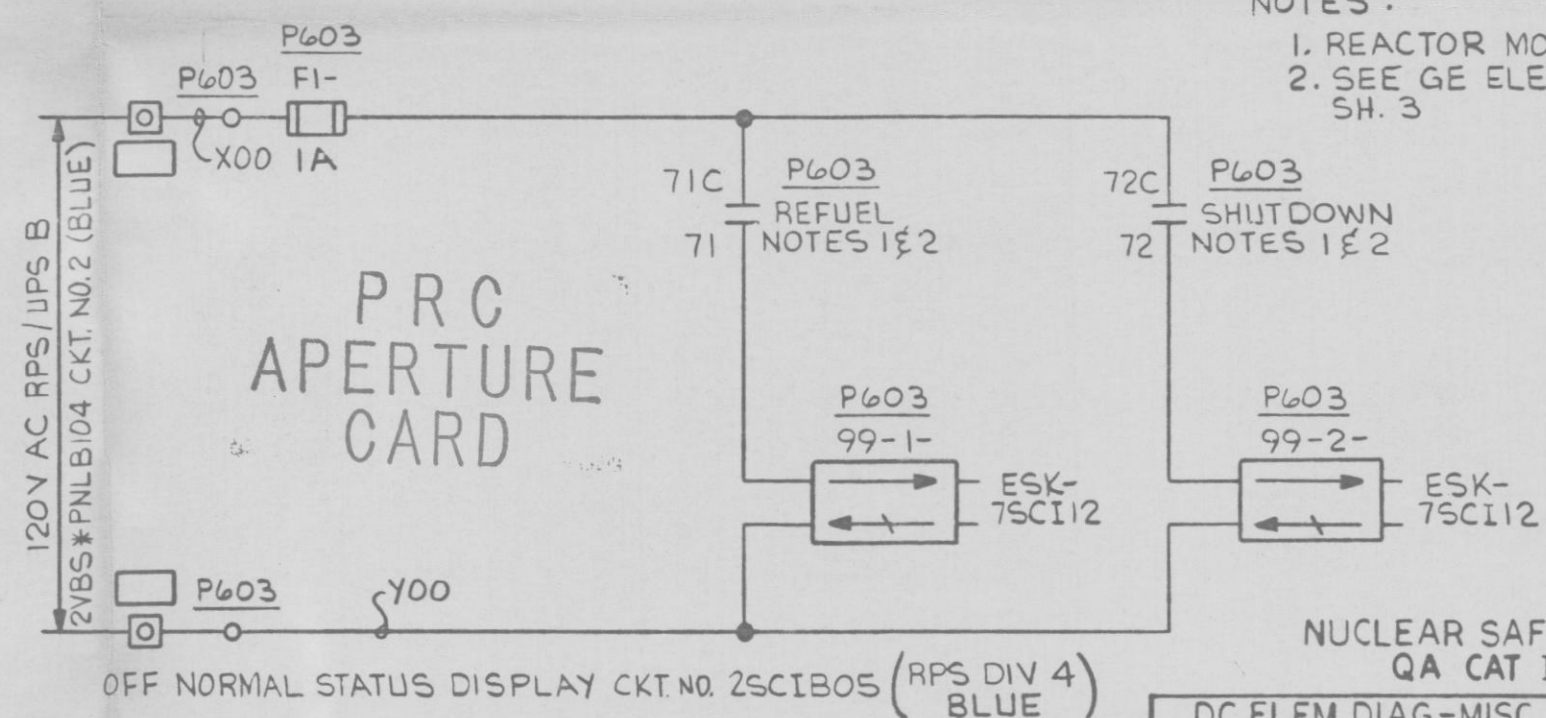
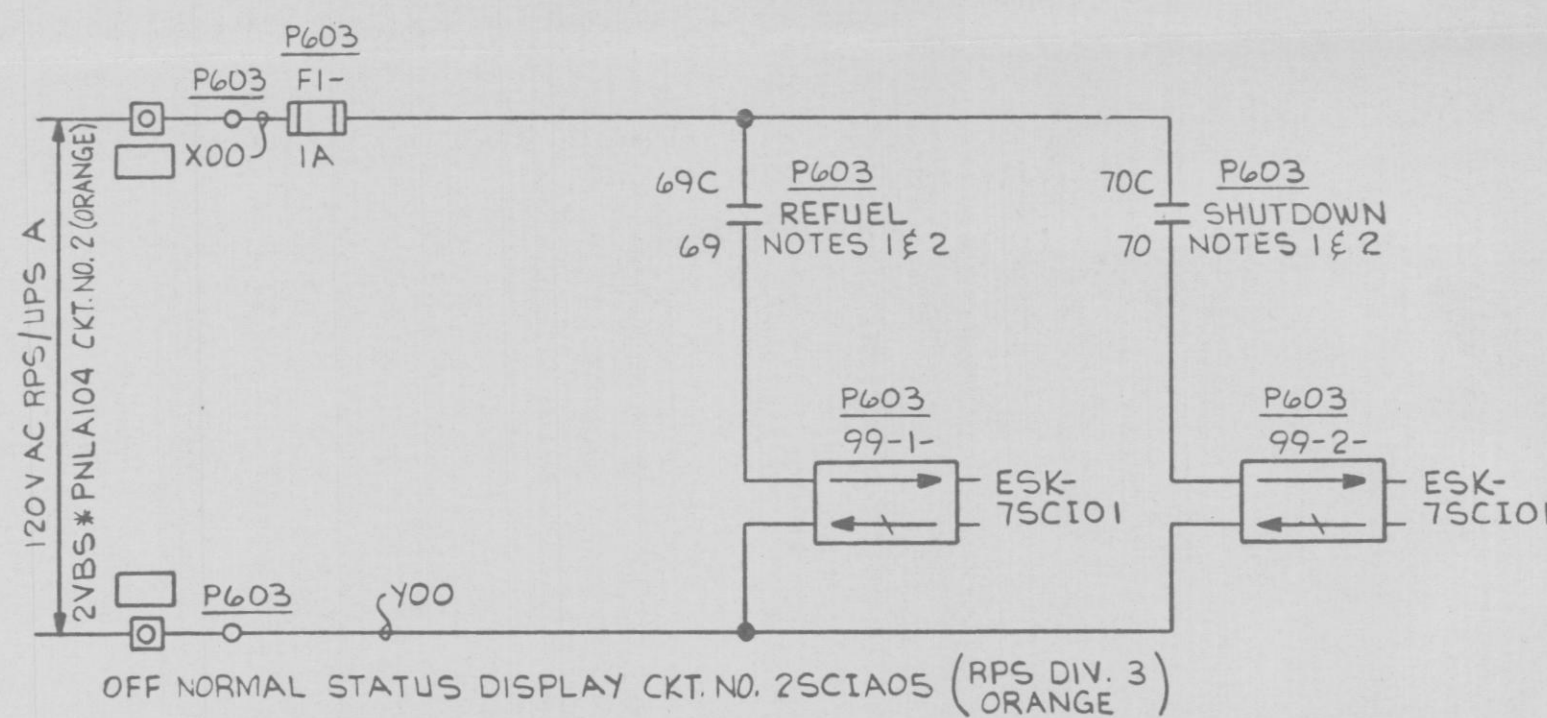
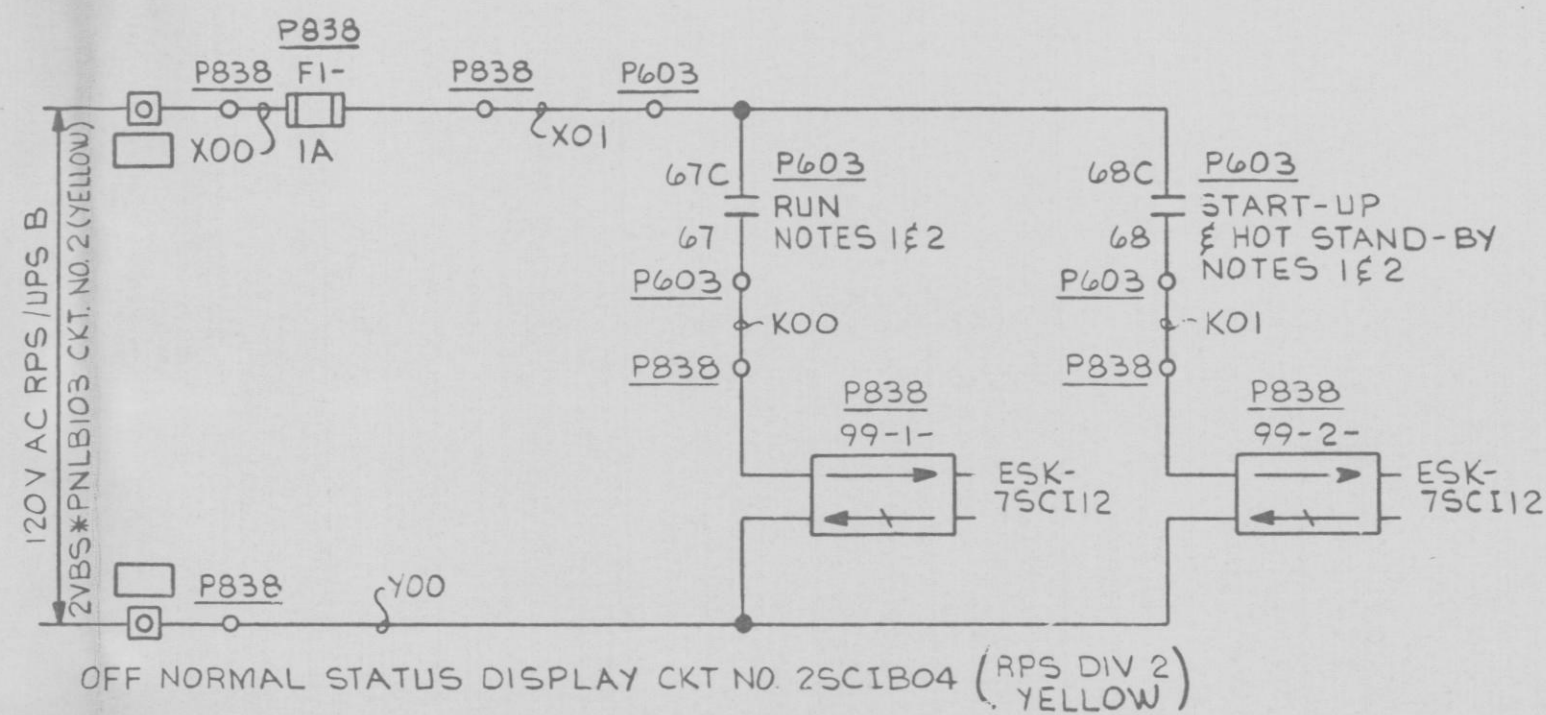
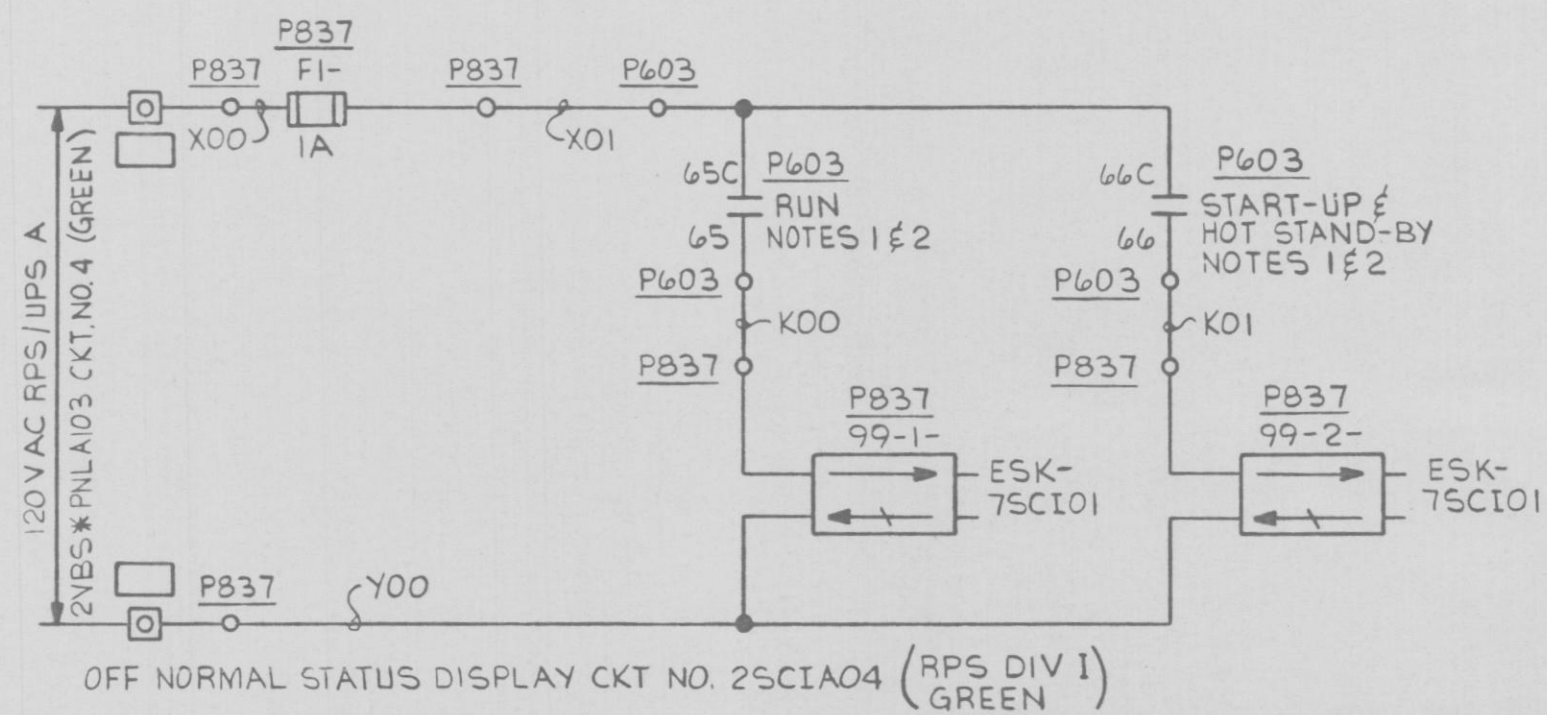


1



- NOTES:
1. REACTOR MODE SWITCH.
 2. SEE GE ELEM 807E166TY SH. 3

PRC
APERTURE
CARD

NUCLEAR SAFETY RELATED
QA CAT I

DC ELEM DIAG-MISC DC CKTS
OFF-NORMAL STATUS DISPLAY
NINE MILE POINT NUCLEAR STATION-UNIT 2
NIAGARA MOHAWK POWER CORPORATION
STONE & WEBSTER ENGINEERING CORPORATION

12177-ESK-75C142

7	6	5	4	3	2	1
---	---	---	---	---	---	---

RM

A 2214

D

GE-NEE
GE-LSIG