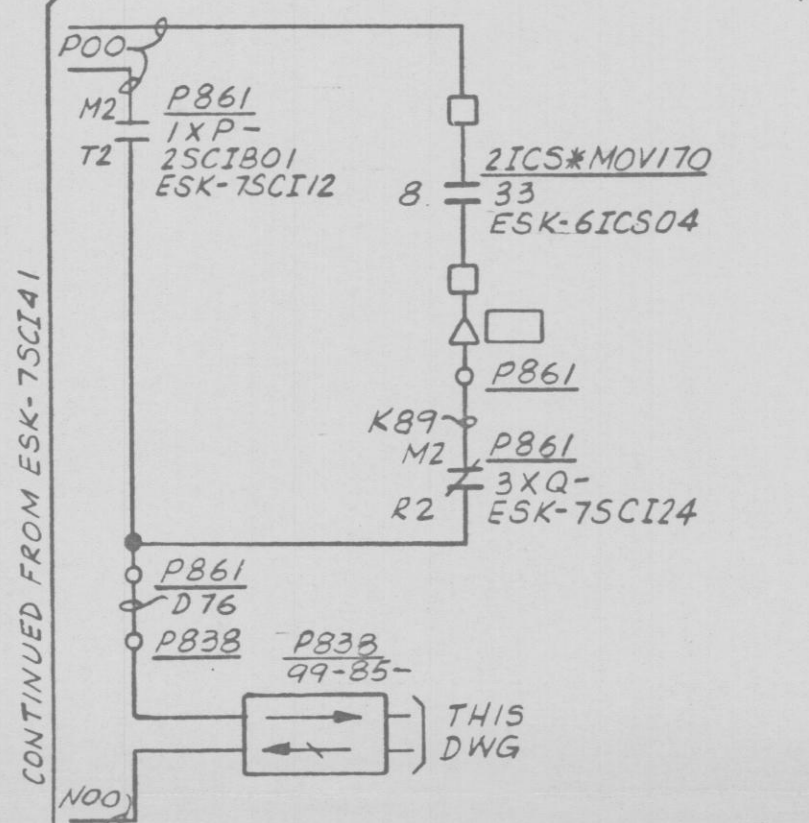
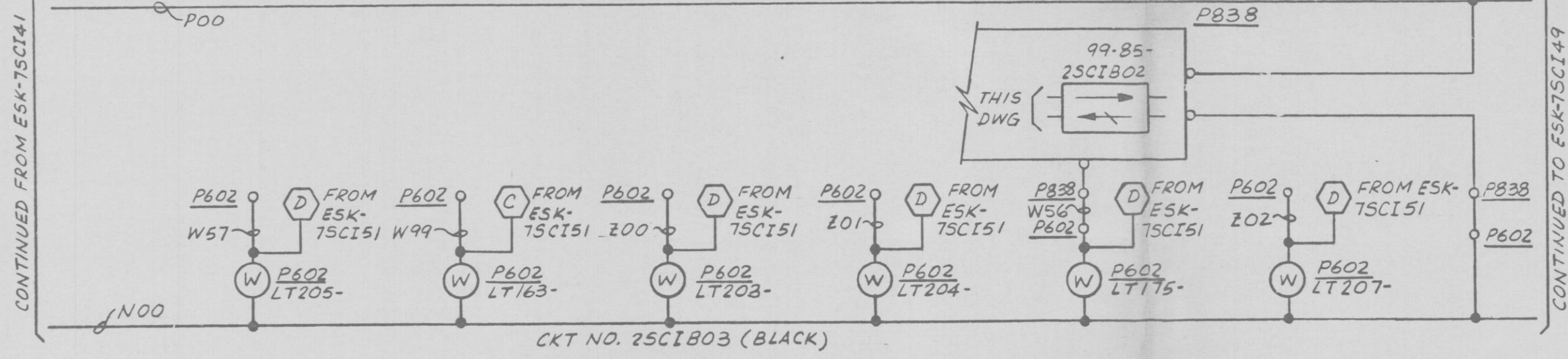


RCIC TURBINE STEAM LEAD
 BYPASS VALVE 2ICS*MOV170(ESI-F076)
 VALVE NORMALLY CLOSED, OPEN
 FOR SYSTEM START-UP



CONTAINMENT ISOLATION VALVE OFF-
 NORMAL STATUS DISPLAY CKT NO. 25CIB02 (YELLOW)



PRC
 APERTURE
 CARD

NOTES:
 1. □ - INDICATES DRYWELL PENETRATION

NUCLER SAFETY RELATED
 QA CAT I, II
 DC ELEM DIAG- MISC DC CTS
 OFF-NORMAL STATUS DISPLAY
 NINE MILE POINT NUCLEAR STATION-UNIT 2,
 NIAGARA MOHAWK POWER CORPORATION
 STONE & WEBSTER ENGINEERING CORPORATION
 12177-ESK-7SCI44

7	6	5	4	3	2	1
						DM

GE-15TG
 GE-MED

D