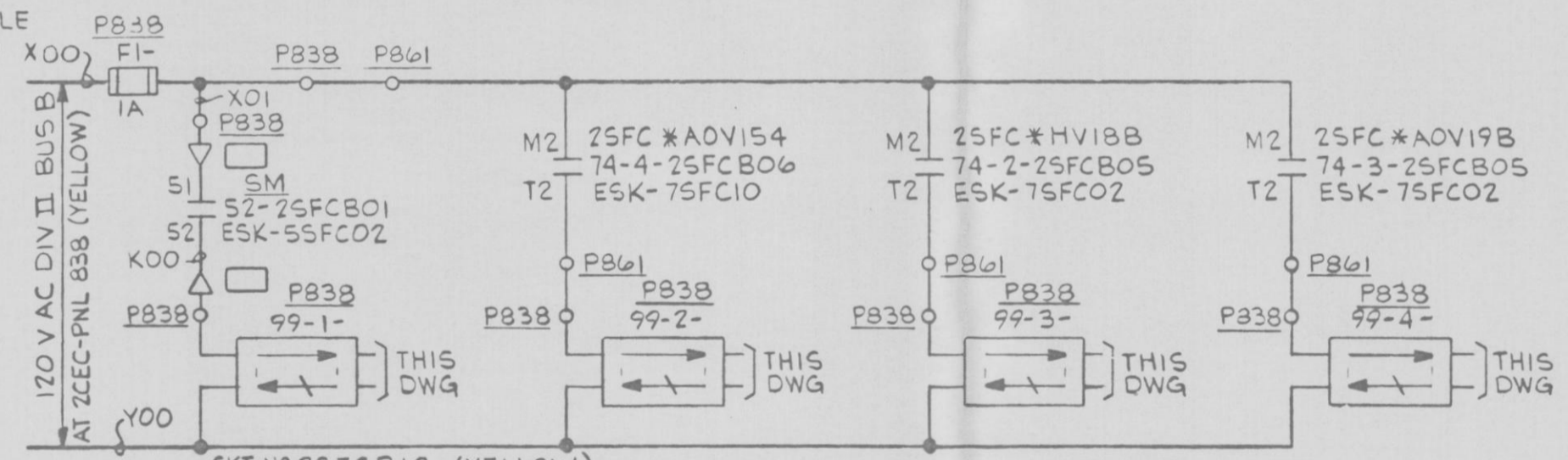
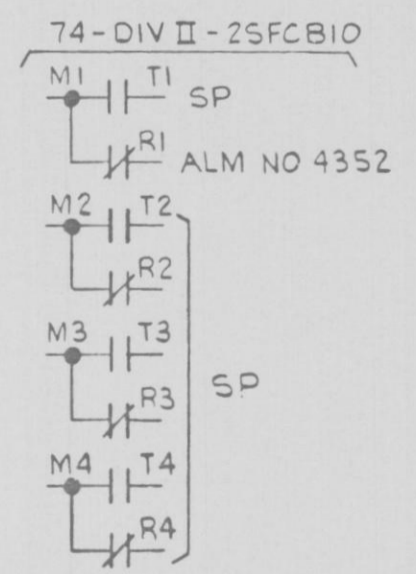
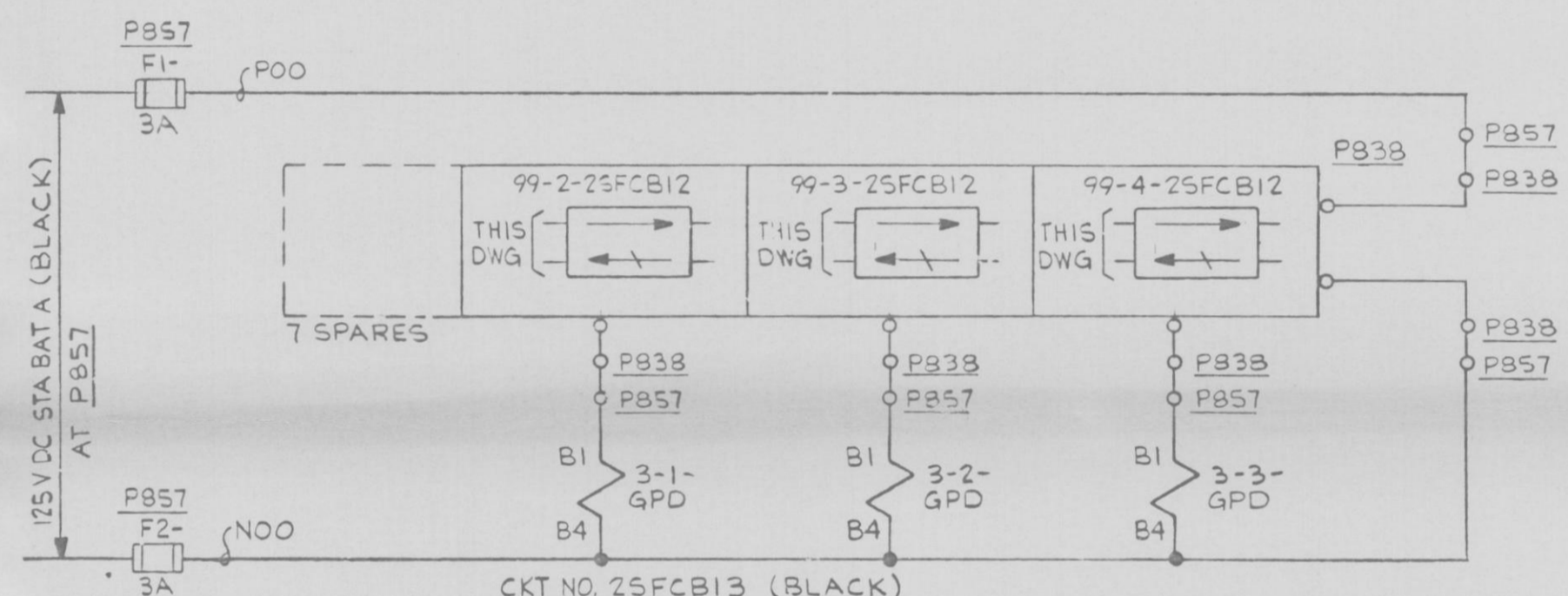
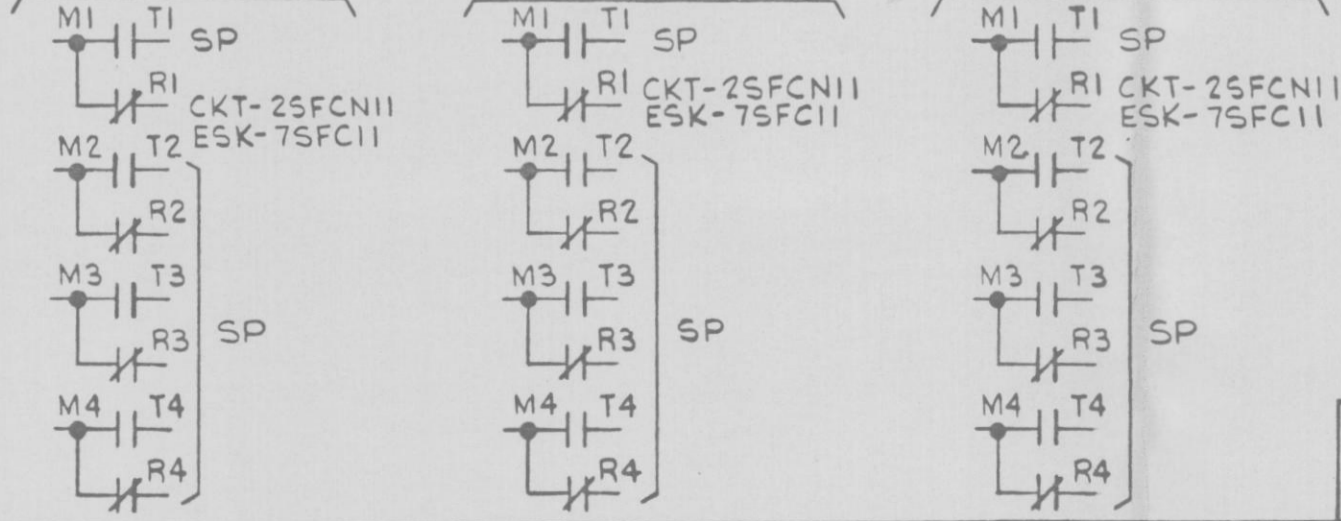


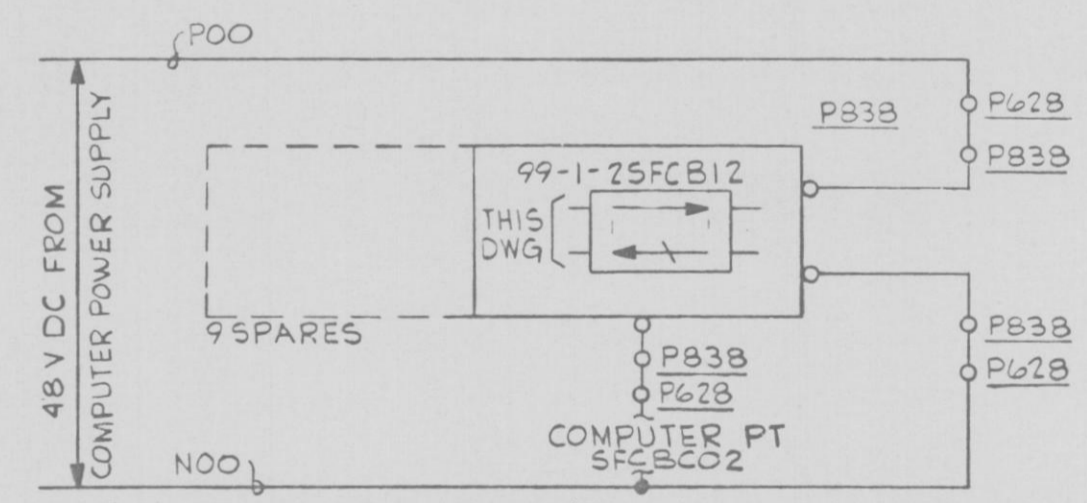
SPENT FUEL POOL COOLING, INOPERABLE ALARM DIV II CKT NO. 25FCB10 (YELLOW)



120V AC DIV II BUS B (YELLOW) AT 2CEC-PNL 838 (YELLOW)



125V DC STABAT A (BLACK) AT P857



48V DC FROM COMPUTER POWER SUPPLY

NOTES:
1. LOGIC DIAG LSK 34-2.C,E,H

PRC APERTURE CARD

NUCLEAR SAFETY RELATED
QA CAT I,II

AC ELEM DIAG-MISC AC CKT
INOP ALM DIV II
NINE MILE POINT NUCLEAR STATION-UNIT 2
NIAGARA MOHAWK POWER CORPORATION
STONE & WEBSTER ENGINEERING CORPORATION

12177-ESK-7SFC08

9	8	7	6	5	4	3	2	1
---	---	---	---	---	---	---	---	---

GE MED / GE LSTG

D