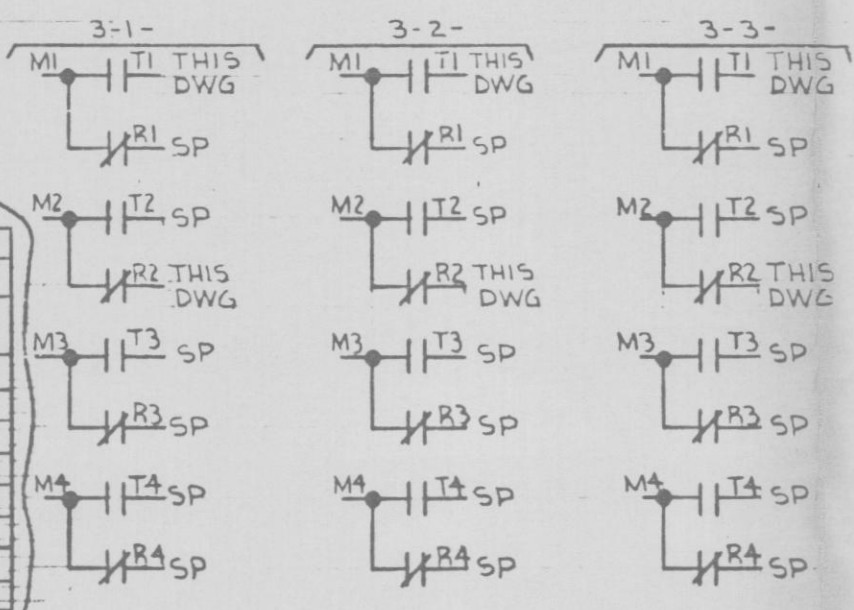


PRC
APERTURE
CARD

CKT 25WPA29 (GREEN)

- NOTES:
1. O - ASSOCIATED VALVE OPENS WHEN SOY IS DE-ENERGIZED
2. LOGIC DIAG LSK-9-10Q

LIMIT SWITCH DEVELOPMENT						
		VALVE POSN		FUNCTION		
33		FULL OPEN	FULL CLOSE	25WP* ADV572	25WP* ADV573	25WP* ADV154A
1	A	B		GRN LT	GRT LT	GRN LT
2	C	D		SPARE	SPARE	SPARE
3	E	F		SPARE	SPARE	SPARE
4	G	H		SPARE	SPARE	SPARE
5	A	B		RED LT	RED LT	RED LT
6	C	D		SPARE	SPARE	SPARE
7	E	F		SPARE	SPARE	SPARE
8	G	H		SPARE	SPARE	SPARE



CS	DETAIL	ESK	SPARES	USED ON
1-1	25WPA29	K6	3B	1B
1-2	25WPA29	K6	3B	1B
1-3	25WPA29	K6	3B	1B

NUCLEAR SAFETY RELATED
QA CAT I
AC ELEM DIAG - MISC AC CKTS
SWT-UNIT COOLER VALVES
NINE MILE POINT NUCLEAR STATION-UNIT 2
NIAGARA MOHAWK POWER CORPORATION
STONE & WEBSTER ENGINEERING CORPORATION
12177-ESK-7SWP05

DESIGN CONTROL ISSUE	REV	DATE	BY	CHKD	DATE	BY
3	1	3/4/77	JST			
2	2	6-23-77	JST			
1	1	3-25-77	JST			

7	6	5	4	3	2	1
---	---	---	---	---	---	---

JST

D