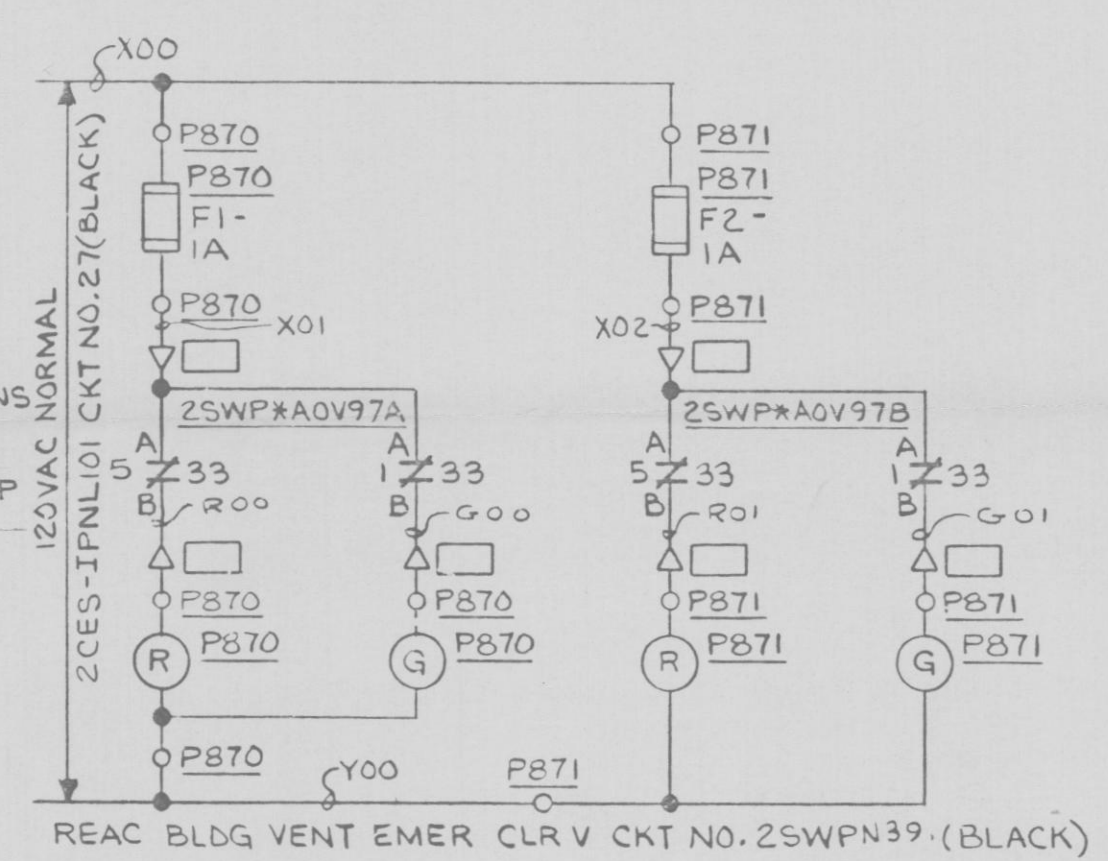
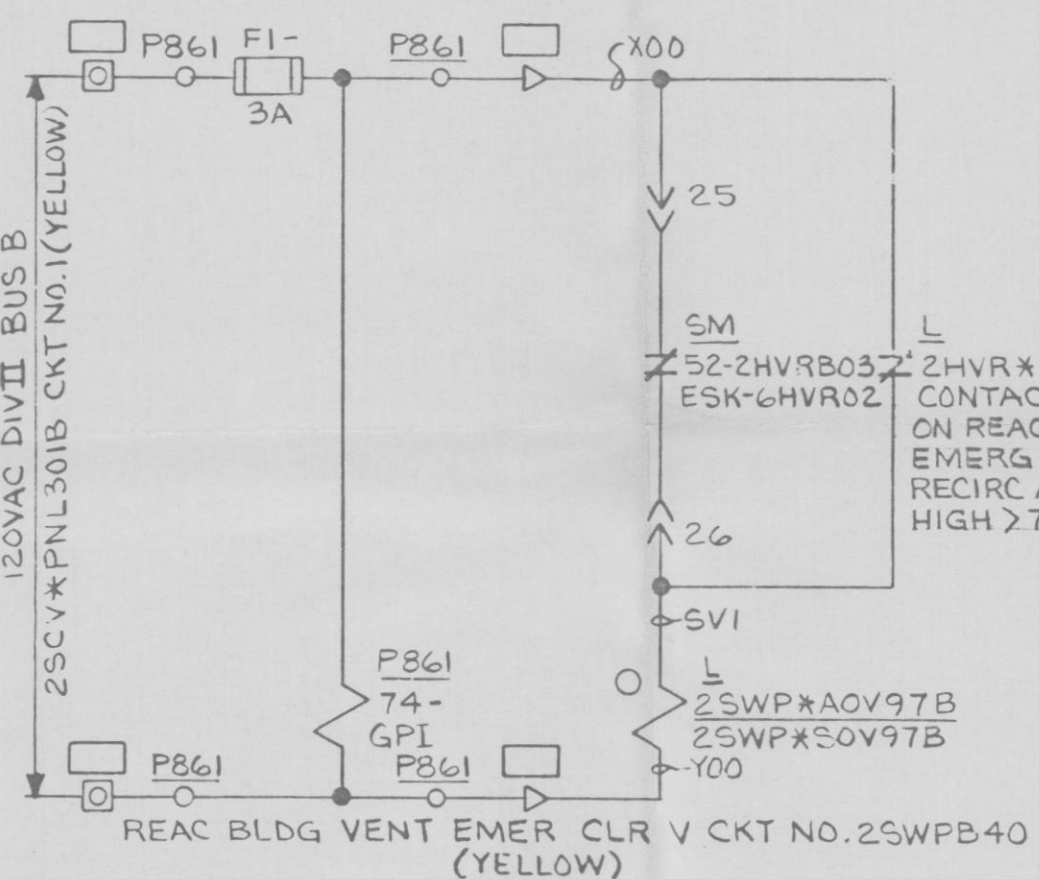
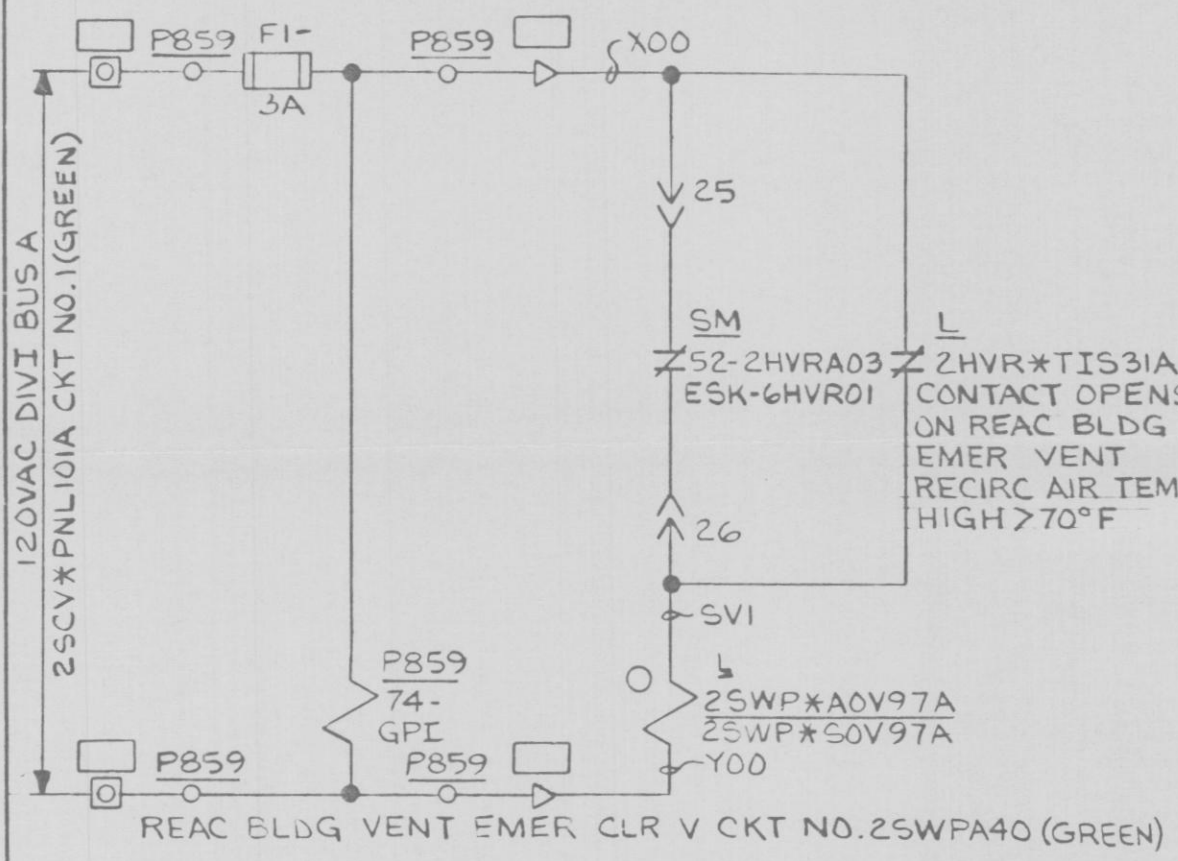


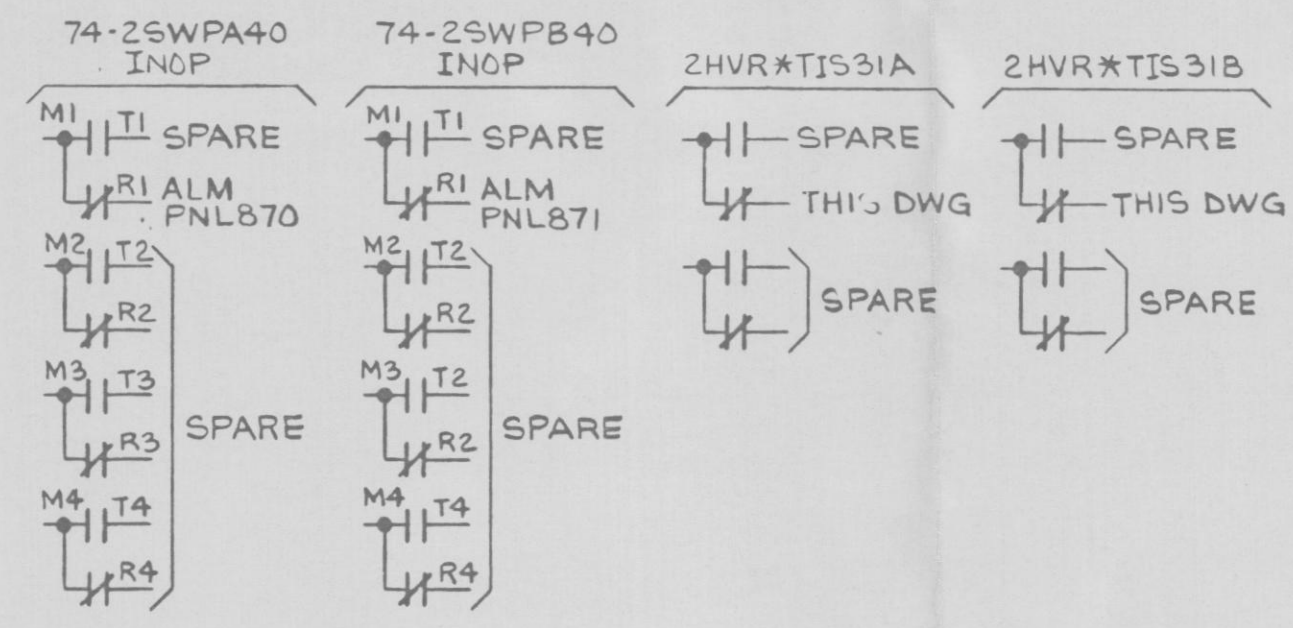
1



NOTES:
 1. LOGIC DIAGRAM LSK-9-10
 2. O-FAILS OPENS ON LOSS OF POWER.

PRC
 APERTURE
 CARD

LIMIT SWITCH DEVELOPMENT				
33	VALVE POSN		FUNCTION	
	FULL OPEN	FULL CLOSE	2SWP* AOV97A	2SWP* AOV97B
1	A	B	GRN LT	GRN LT
2	C	D	SPARE	SPARE
3	E	F	SPARE	SPARE
4	G	H	SPARE	SPARE
5	A	B	RED LT	RED LT
6	C	D	SPARE	SPARE
7	E	F	SPARE	SPARE
8	G	H	SPARE	SPARE



NUCLEAR SAFETY RELATED
 QA CAT I, II
 AC ELEM DIAG MISC AC CKT
 REAC BLDG VENT EMERG CLR VALVES
 NINE MILE POINT NUCLEAR STATION-UNIT 2
 NIAGARA MOHAWK POWER CORPORATION
 STONE & WEBSTER ENGINEERING CORPORATION
 i2177-ESK-7SWPIO

8	7	6	5	4	3	2	1
---	---	---	---	---	---	---	---

REDRAWN
 DESIGN CONTROL
 ISSUE
 3/4/71
 JST

D