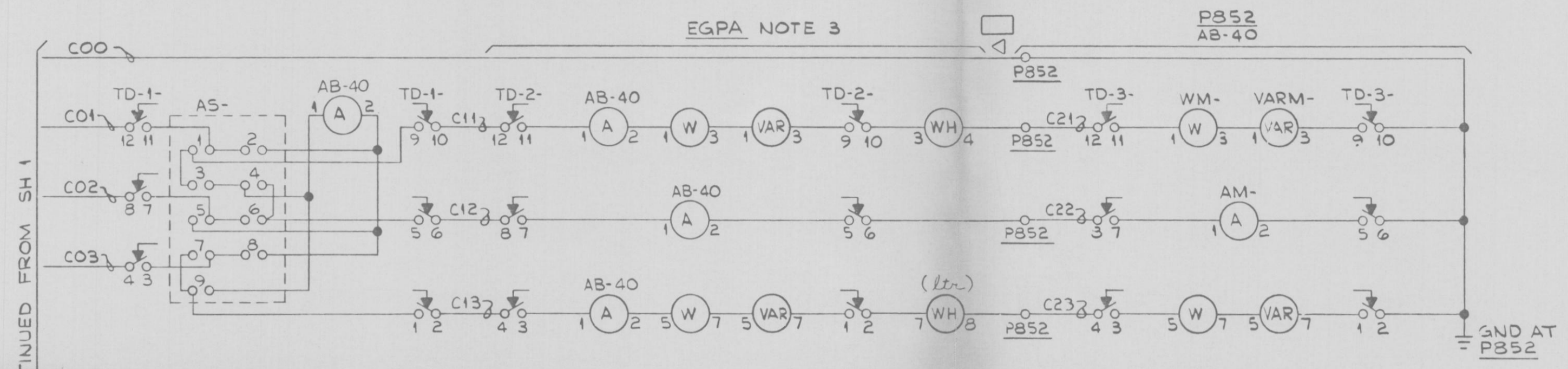
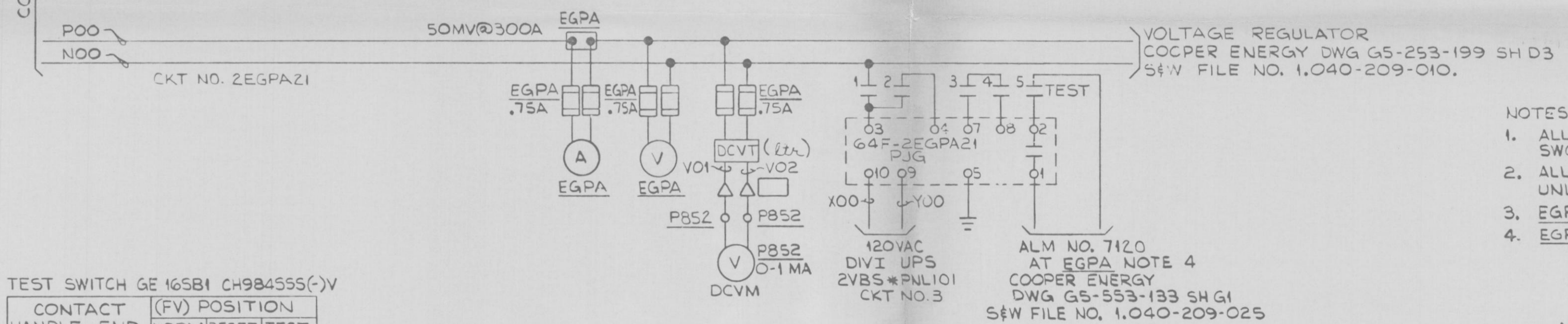


1



PRC
APERTURE
CARD



- NOTES:
1. ALL EQUIPMENT LOCATED AT SWGR UNLESS OTHERWISE NOTED.
 2. ALL CIRCUITS ARE GREEN UNLESS OTHERWISE NOTED.
 3. EGPA: 2CEC * IPNL 407
 4. EGPA: 2CEC * IPNL 406

TEST SWITCH GE 165B1 CH984555(-)V

CONTACT HANDLE	END	(FV) POSITION		
		1	2	3
1	2	x		
3	4		x	
5	6	x		x

X - DENOTES CONTACT CLOSED

CS	DETAIL	ESK	SPARE	USED ON
AS-2EGPA02	"E"	3A	-	-
TEST SW DETAIL ON THIS DWG 6				

12	11	10	9	8	7	6
----	----	----	---	---	---	---

NUCLEAR SAFETY RELATED
QA CAT I

AC ELEM DIAG CURRENT CKT
DIESEL GEN 2EGS*EGI RLY & MTR
NINE MILE POINT NUCLEAR STATION-UNIT 2
NIAGARA MOHAWK POWER CORPORATION

STONE & WEBSTER ENGINEERING CORPORATION
12177-ESK-8EGPOI SH 2 OF 2

D

GE MED ✓ GE LSTG

GEM A 1110