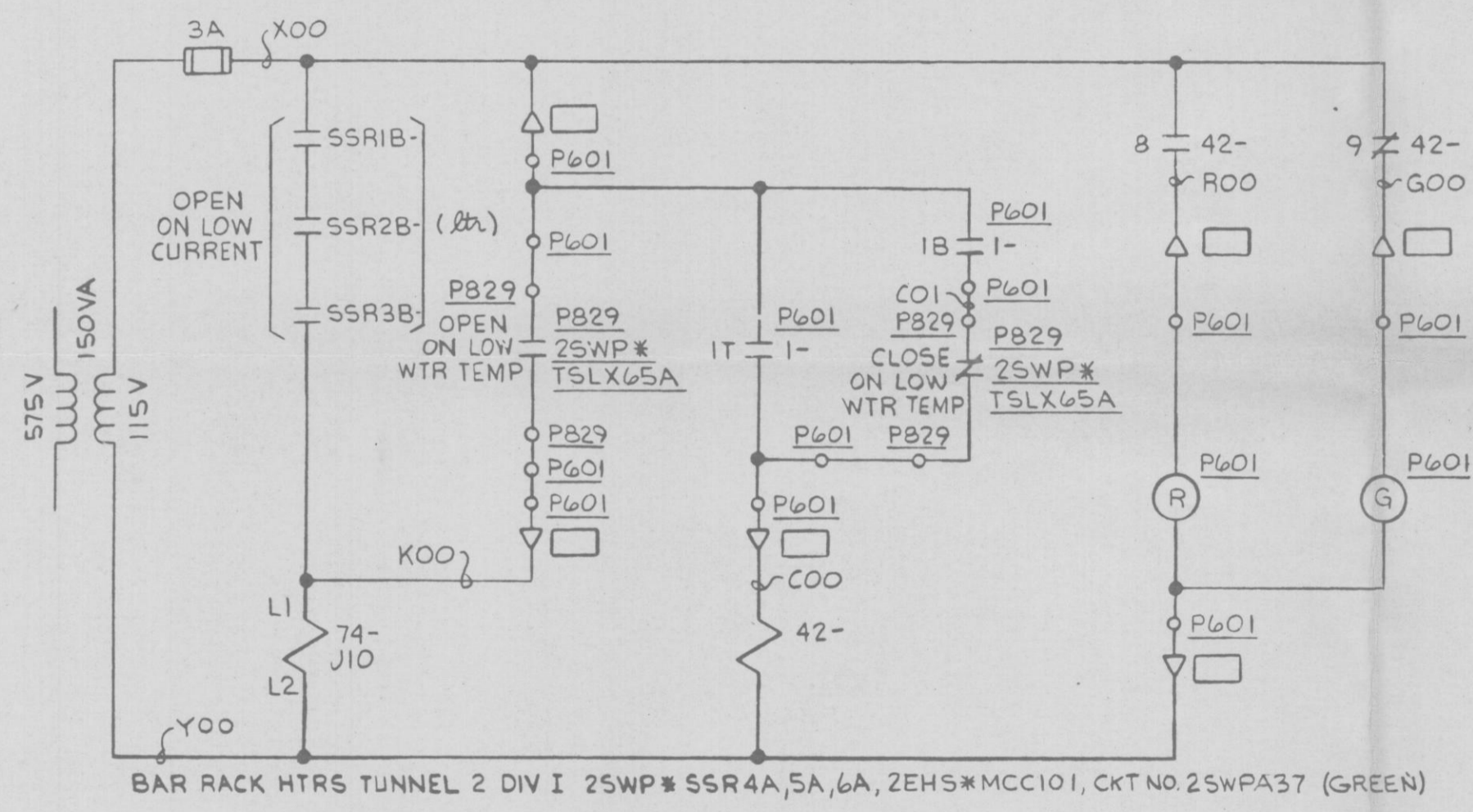
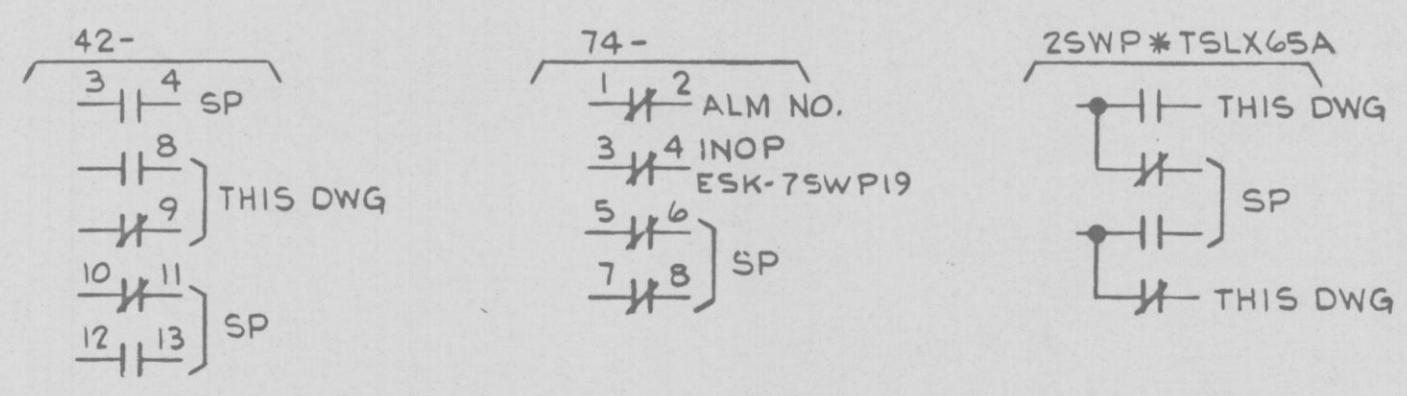


1



PRC
APERTURE
CARD



NOTES:
1. ALL EQUIPMENT LOCATED AT MCC UNLESS UNLESS OTHERWISE NOTED.
2. LOGIC DIAGRAM LSK-9-10Q, U.

CS	DETAIL	ESK	SPARES	USED ON
1-2SWPA37	K4	3B	2B, 2T	—

NUCLEAR SAFETY RELATED
QA CAT I

REDRAWN	AC ELEM DIAG-600V MCC CKT
DESIGN CONTROL	SERVICE WATER SYSTEM
ISSUE	NINE MILE POINT NUCLEAR STATION-UNIT 2
	NIAGARA MOHAWK POWER CORPORATION
	STONE & WEBSTER ENGINEERING CORPORATION
INCORP E & DCR G4000B	12177-ESK-6SWP36

7	6	5	4	3	2	1
---	---	---	---	---	---	---

D

GE-LSTG
GE-MED