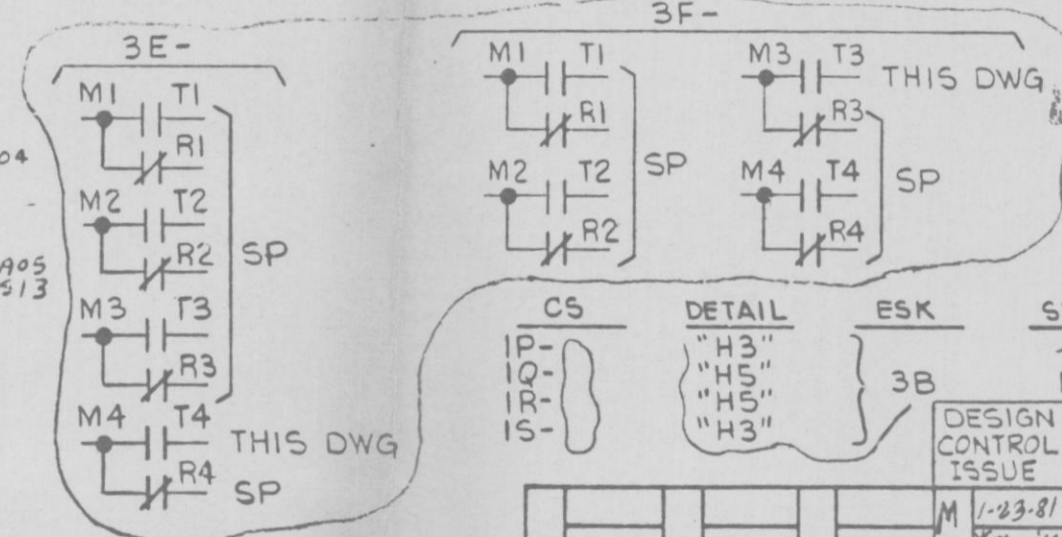
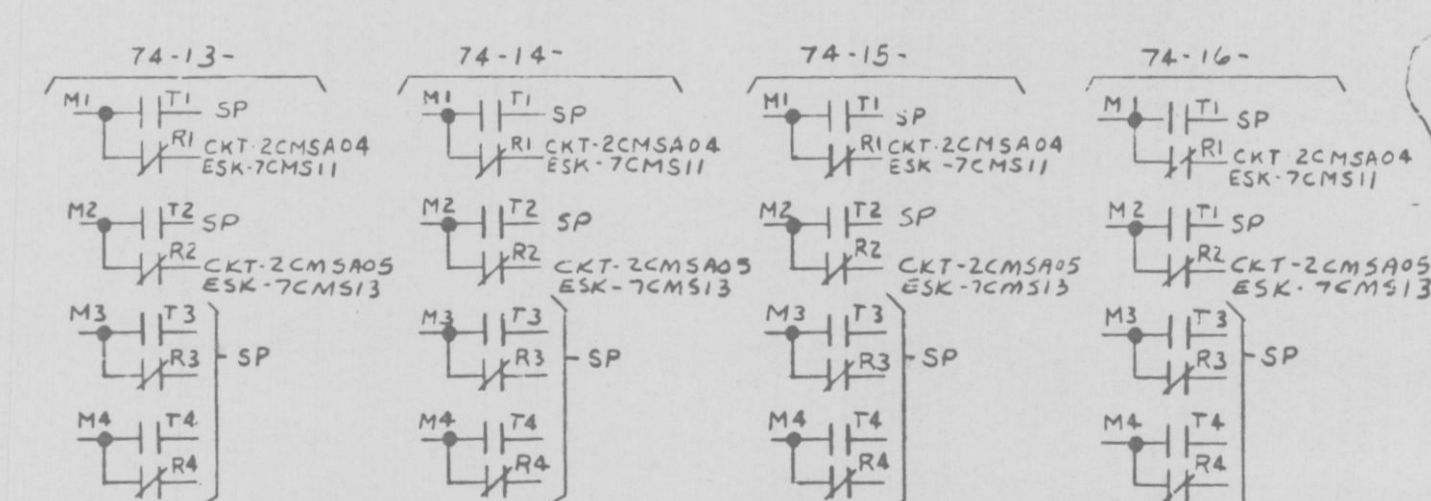


CONTINUED FROM ESK-7CMS05

CONTINUED ON ESK-7CMS19

DIV I VALVES CKT-2CMSA03 (GREEN)



PRC APERTURE CARD

- NOTES:
1. ALL EQUIPMENT LOCATED AS NOTED
  2. □ INDICATES DW PEN
  3. ◻ INDICATES SUPPR CHAM PEN
  4. LOGIC DIAG LSK 33-2

NUCLEAR SAFETY RELATED  
QA CAT I

AC ELEM DIAG-120V MISC CKTS  
CONTAINMENT ATMOSPHERE MONITORING  
NINE MILE POINT NUCLEAR STATION-UNIT 2  
NIAGARA MOHAWK POWER CORPORATION

Stone & Webster Engineering Corporation  
12177-ESK-7CMS06

REV	DATE	BY	CHKD	APP'D	DESCRIPTION
1	1-23-81	M			DESIGN CONTROL ISSUE
2	3-10-81	M			REVISED
3	6-23-77	M			REVISED
4	3-22-77	M			REVISED

GE-15156

D