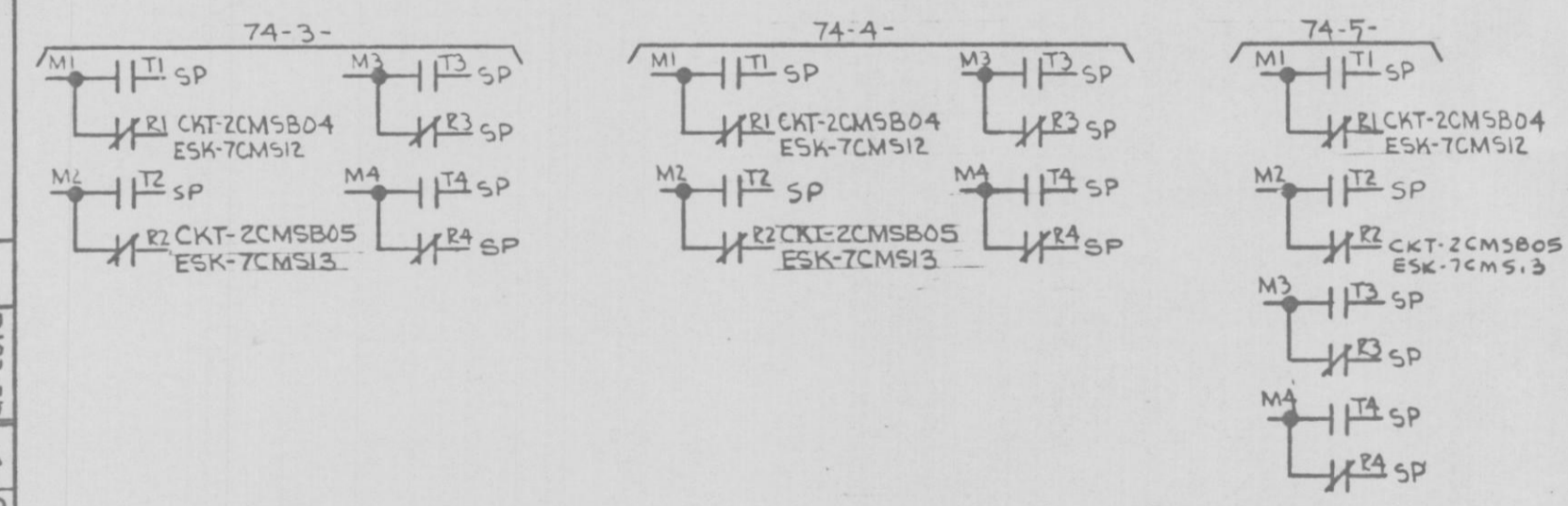


CONTINUED FROM ESK-7CMS07

CONTINUED ON ESK-7CMS18



PRC
APERTURE
CARD

- NOTES:
1. ALL EQUIPMENT LOCATED AS NOTED.
 2. □ INDICATES DRYWELL PENETRATION.
 3. LOGIC DIAGRAM LSK-33-2.
 4. CKT FOR 2CMS#SOV24B & 2CMS#SOV24D SHOWN ON ESK-7CMS18.

NUCLEAR SAFETY RELATED
QA CAT I

AC ELEM DIAG - 120V MISC CKTS
CONTAINMENT ATMOSPHERE MONITORING
NINE MILE POINT NUCLEAR STATION-UNIT 2
NIAGARA MCHAWK POWER CORPORATION.

CS	DETAIL	ESK	SPARES
ID-	"H3"	3B	1B, 2T
IE-	"H3"	3B	1B, 2T
IF-	"H3"	3B	1B, 2T

DESIGN	GEN REV	REV	PACC	PACC
CONTROL	(SEE			
ISSUE	NOTE 4)			
4	1-28-81	M	8/11/70	M
3	4-24-77	M	6-23-77	M
2	1-28-77	M	3-29-77	M
1	1-28-77	M		M

STONE & WEBSTER ENGINEERING CORPORATION
1217.7-ESK-7CMS08

GE-MED
GE-LST6

D