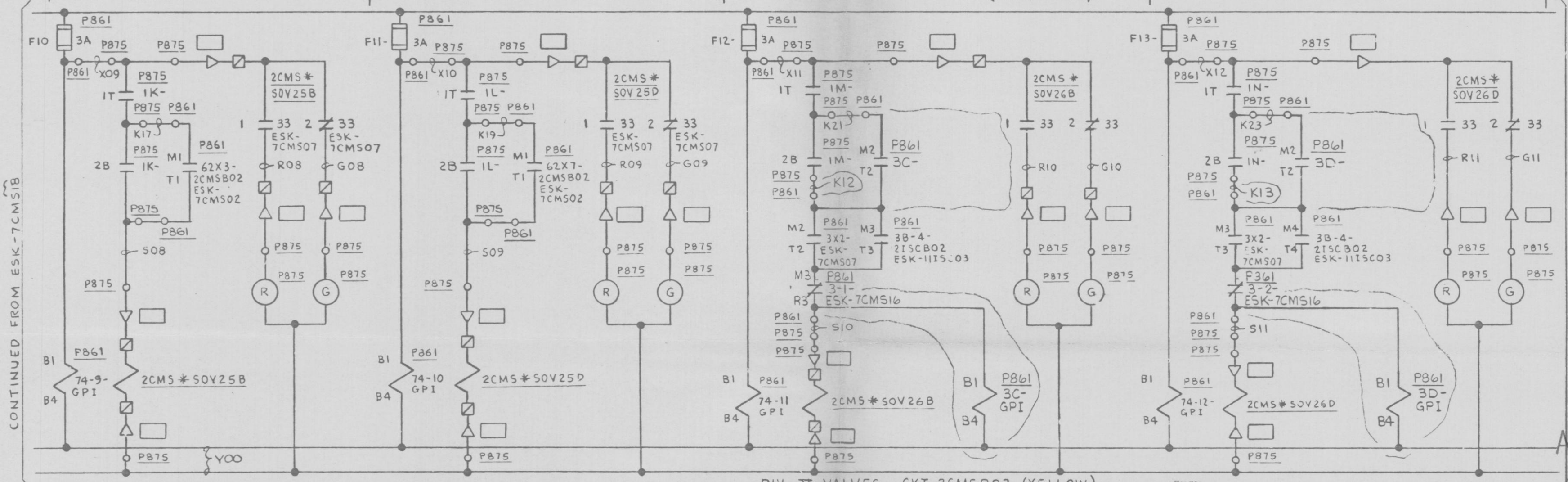


SUPPR CHAMBER SAMPLING V 2CMS\*SOV25B | SUPPR CHAMBER SAMPLING V 2CMS\*SOV25D | SUPPRCHAMBER ISOL V 2CMS\*SOV26B (INBOARD) | SUPPR CHAMBER ISOL V 2CMS\*SOV26D (OUTBOARD)

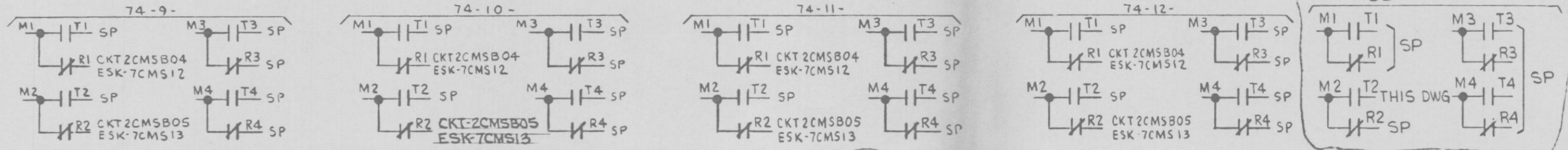


CONTINUED FROM ESK-7CMS18

CONTINUED ON ESK-7CMS10

PRC APERTURE CARD

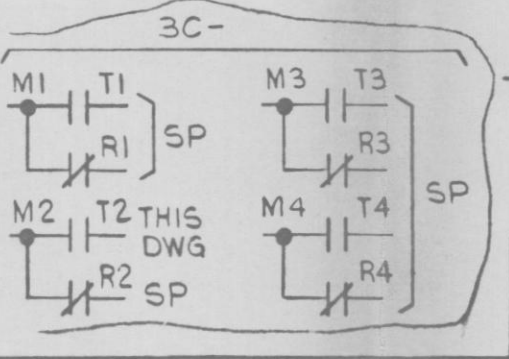
DIV II VALVES CKT-2CMSB03 (YELLOW)



- NOTES:
1. ALL EQUIPMENT LOCATED AS NOTED.
  2.  INDICATES SUPPR CHAMBER PENETRATION.
  3. LOGIC DIAGRAM LSK-33-2.

NUCLEAR SAFETY RELATED  
QA CAT I

33	VALVE POSITION		FUNCTION							
	FULL OPEN	FULL CLOSE	2CMS*SOV26B	2CMS*SOV26D	2CMS*SOV32B	2CMS*SOV33B	2CMS*SOV34B	2CMS*SOV35B	2CMS*SOV35B	2CMS*SOV35B
1	<input type="checkbox"/>	<input checked="" type="checkbox"/>	RED LT	RED LT	ESK-7CMS10	ESK-7CMS10	ESK-7CMS10	ESK-7CMS10	ESK-7CMS10	ESK-7CMS10
2	<input checked="" type="checkbox"/>	<input type="checkbox"/>	GRN LT	GRN LT	ESK-7CMS10	ESK-7CMS10	ESK-7CMS10	ESK-7CMS10	ESK-7CMS10	ESK-7CMS10
3	<input type="checkbox"/>	<input type="checkbox"/>	SP	SP	ESK-7SCI17	ESK-7SCI17	ESK-7SCI17	ESK-7SCI17	ESK-7SCI17	ESK-7SCI17
4	<input checked="" type="checkbox"/>	<input type="checkbox"/>	SP	SP	SP	SP	SP	SP	SP	SP



CS	DETAIL	ESK	SPARES	USED ON
1K-	"H3"			
1L-	"H3"			
1M-	"H5"			
1N-	"H5"			

AC ELEM DIAG - 120V MISC CKTS
CONTAINMENT ATMOSPHERE MONITORING
NINE MILE POINT NUCLEAR STATION-UNIT 2
NIAGARA MOHAWK POWER CORPORATION
STONE & WEBSTER ENGINEERING CORPORATION
12177-ESK-7CMS09

DESIGN CONTROL ISSUE	REDRAWN	REV	PGCC	PGCC
1-23-77	4/21/78	6-23-77	3-29-77	
4	3	GJM	GJM	
		MB/KV	MB/KV	
		GMB H	GMB H	

D