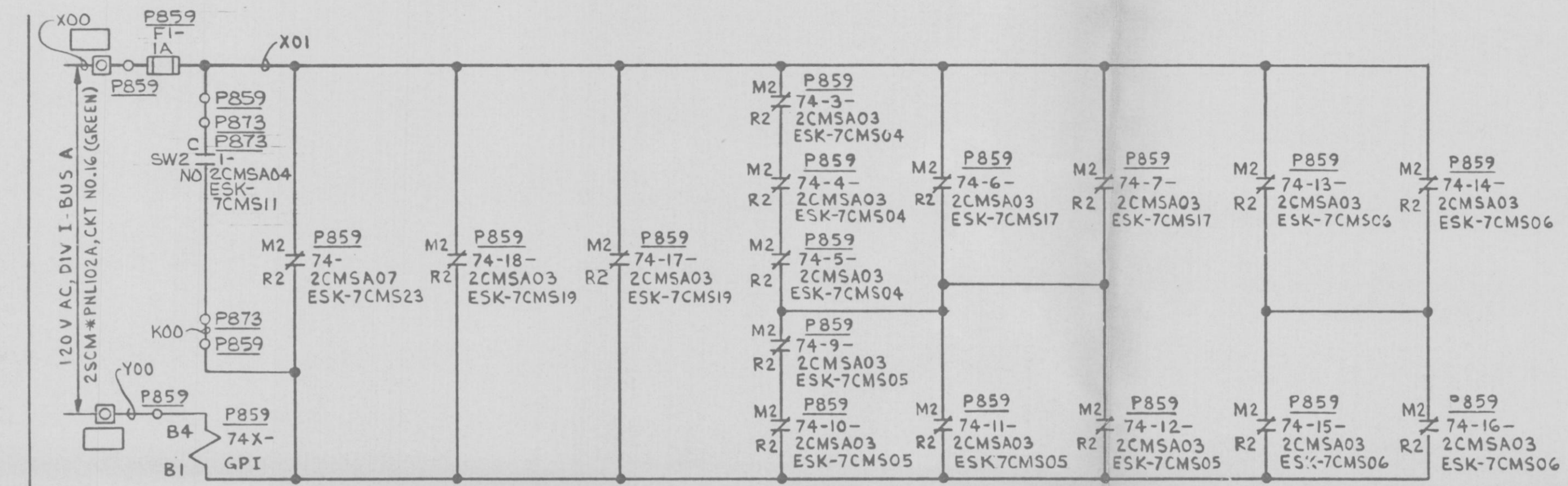
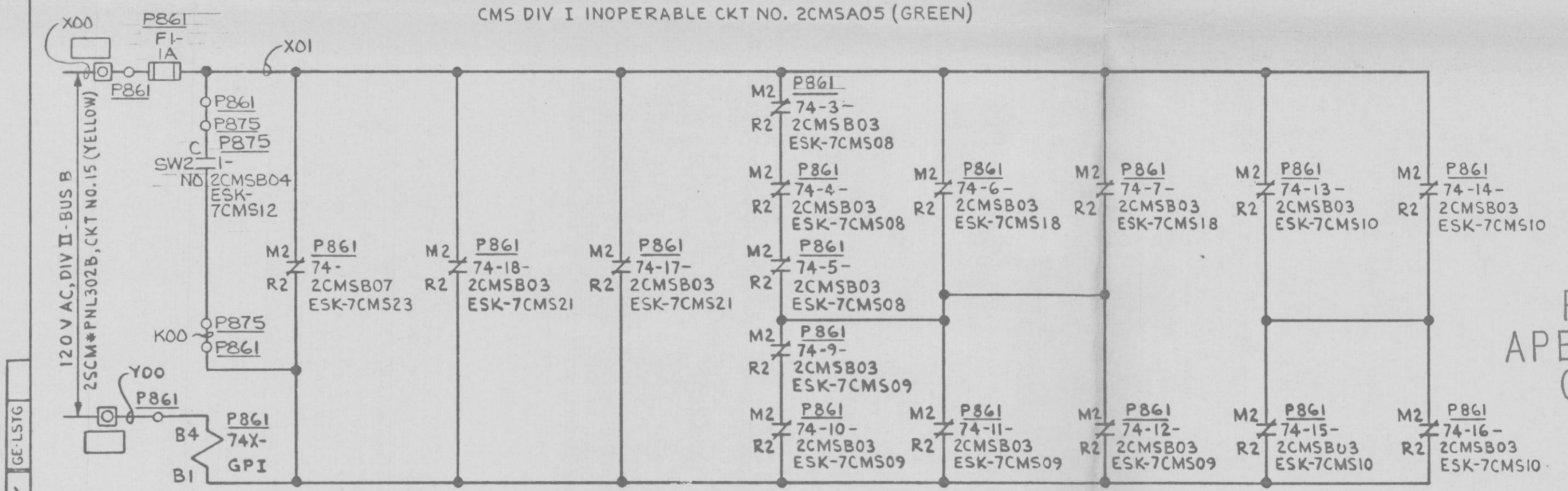


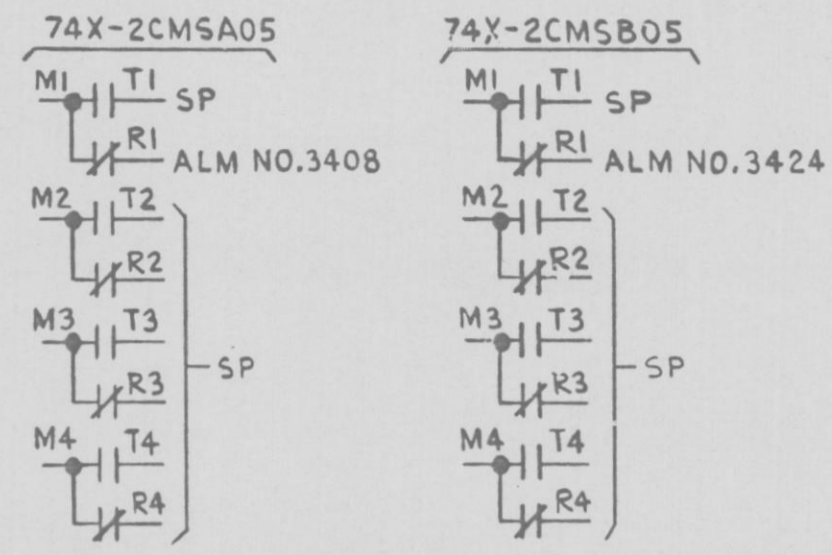
1



CMS DIV I INOPERABLE CKT NO. 2CMSA05 (GREEN)



CMS DIV II INOPERABLE CKT NO. 2CMSB05 (YELLOW)



- NOTES:  
 1. ALL EQUIPMENT LOCATED AS NOTED.  
 2. LOGIC DIAGRAM LSK-33-2.

PRC APERTURE CARD

NUCLEAR SAFETY RELATED QA CAT I

AC ELEM DIAG 120V MISC CKTS  
 CONTAINMENT ATMOSPHERE MONITORING  
 NINE MILE POINT NUCLEAR STATION-UNIT 2  
 NIAGARA MOHAWK POWER CORPORATION

REDRAWN  
 DESIGN CONTROL ISSUE

STONE & WEBSTER ENGINEERING CORPORATION

12177-ESK-7CMS13

8	7	6	5	4	3
---	---	---	---	---	---

ML

4 3318 4

GE-15TG  
 GE-NEE