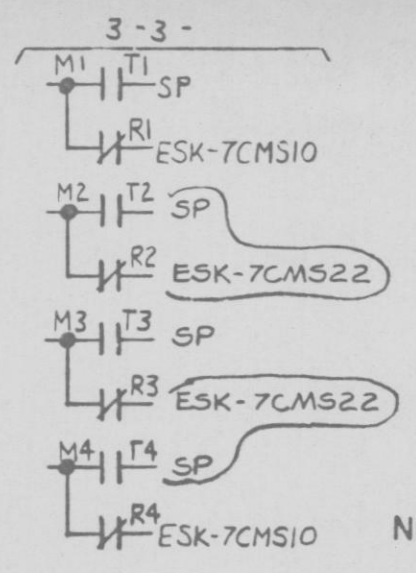
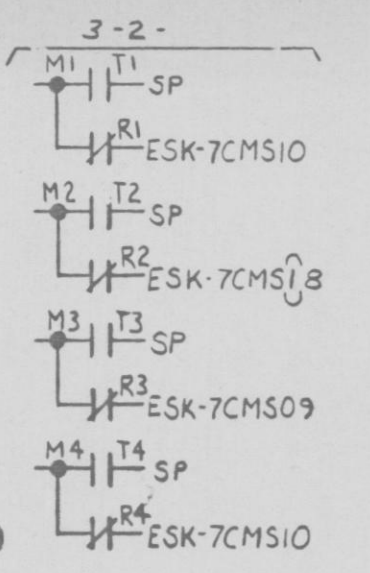
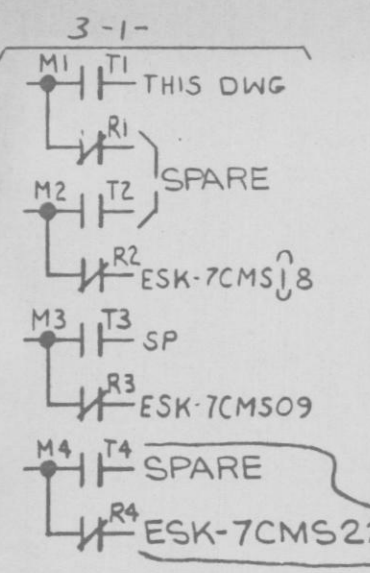
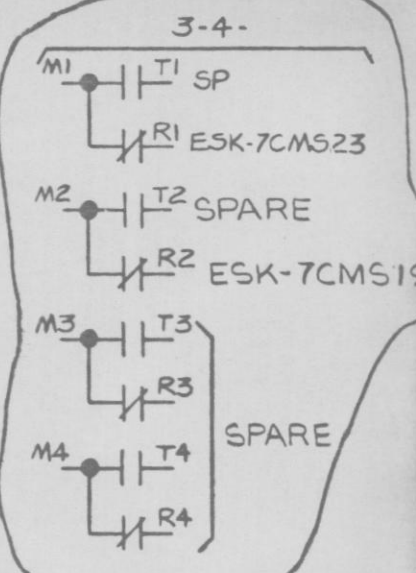
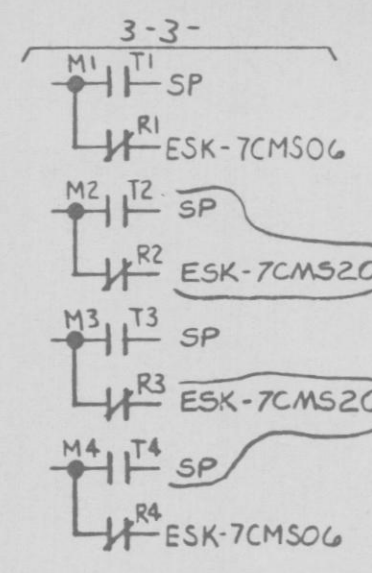
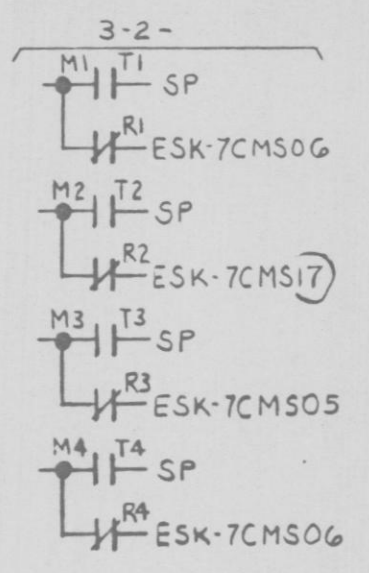
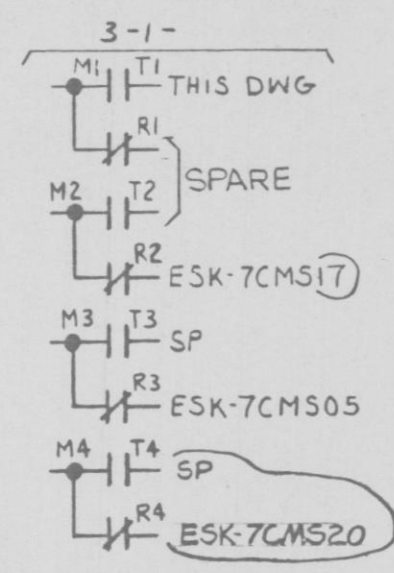
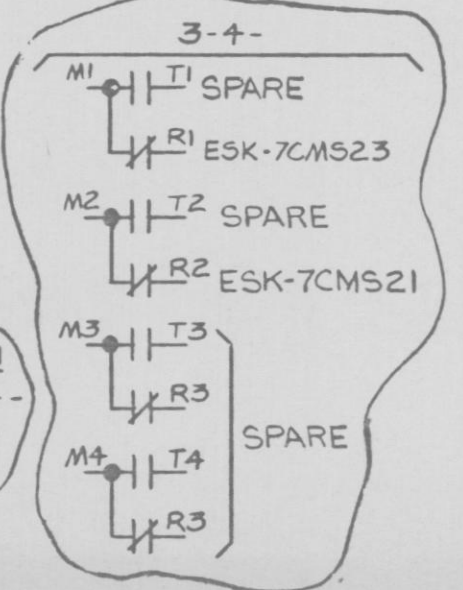


PRC
APERTURE
CARD



- NOTES:
1. ALL EQUIPMENT LOCATED AS NOTED
2. LOGIC DIAGRAM LSK-33-2

NUCLEAR SAFETY RELATED
QA CAT I

CS	DETAIL	ESK	SPARES	USED ON
1-2CMSA17	AN	3F	-	
1-2CMSB17	AN	3F	-	

AC ELEM DIAG - 120V MISC CKTS
CONTAINMENT ATMOSPHERE MONITORING
NINE MILE POINT NUCLEAR STATION-UNIT 2
NIAGARA MOHAWK POWER CORPORATION
STONE & WEBSTER ENGINEERING CORPORATION
12177-ESK-7CMS16

7	6	5	4	3	2	1
					DESIGN CONTROL ISSUE	6/1/78
					2	1
					SWR	

GE-NEED
GE-LSIG

D