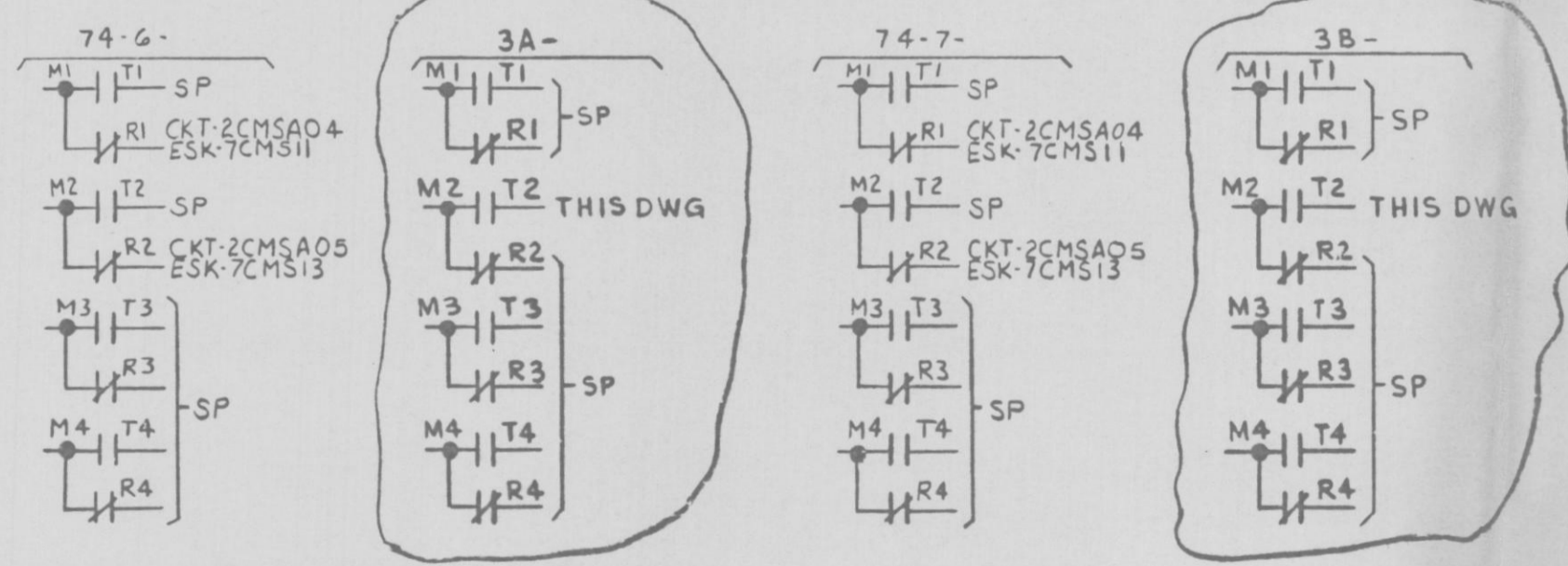


CONTINUED FROM ESK-7CMS04

CONTINUED ON ESK-7CMS05



PRC
APERTURE
CARD

CS	DETAIL	ESK	SPARES
1G-	"H5"	38	1B, 2T
1H-	"H5"	38	1B, 2T

- NOTES:
1. ALL EQUIPMENT LOCATED AS NOTED
 2. □ - INDICATES DRYWELL PENETRATION
 3. LOGIC DIAGRAM LSK-33-2
 4. CKT FOR 2CMS*SOV24A & 2CMS*SOV24C
ORIGINALLY SHOWN ON ESK-7CMS04

NUCLEAR SAFETY RELATED
QA CAT I

AC ELEM DIAG 120V MISC CKTS
CONTAINMENT ATMOSPHERE MONITORING
NINE MILE POINT NUCLEAR STATION-UNIT 2
NIAGARA MOHAWK POWER CORPORATION

STONE & WEBSTER ENGINEERING CORPORATION

12177-ESK-7CMS17

7	6	5	4	3	2	1

GE-NED / GE-LSTG

