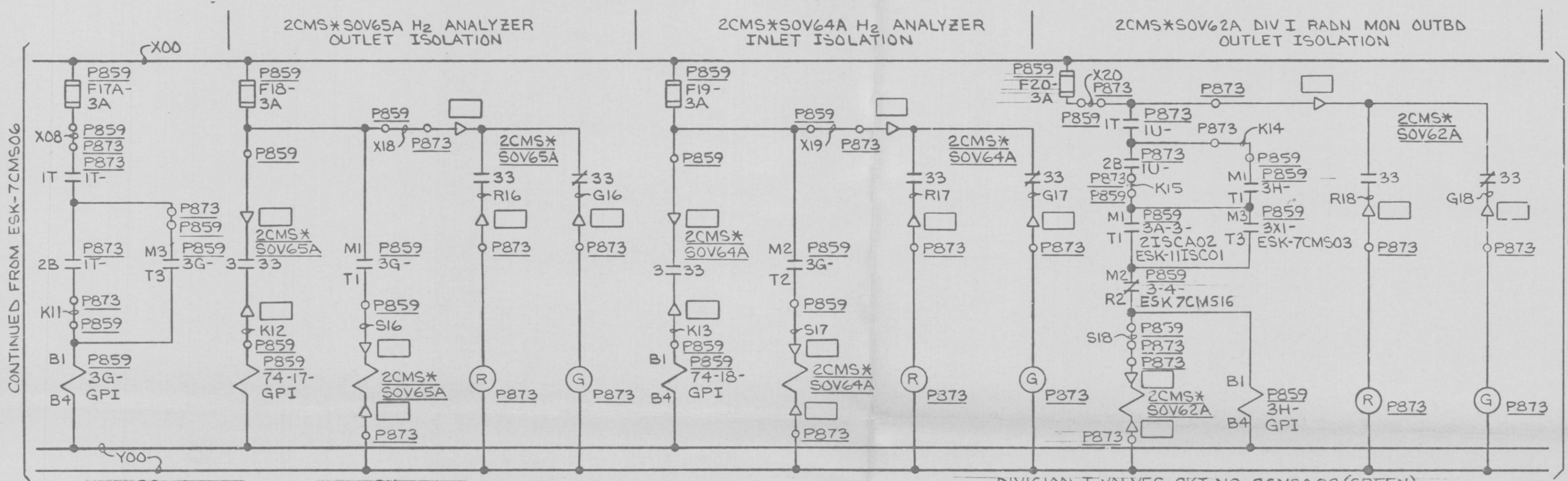
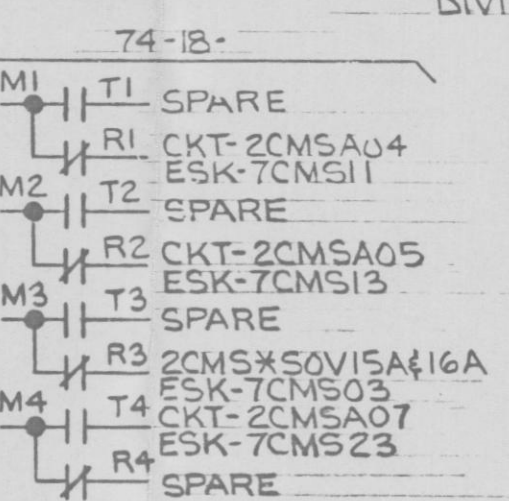
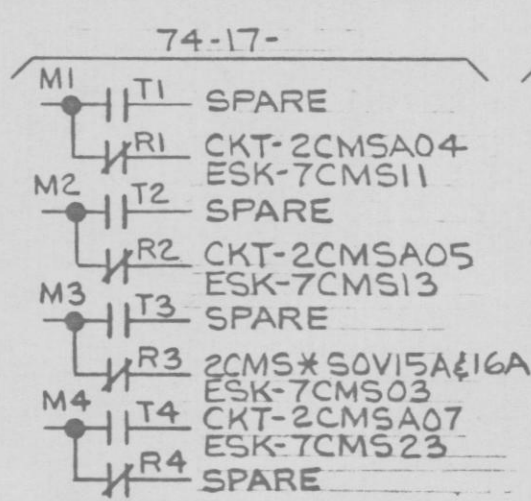
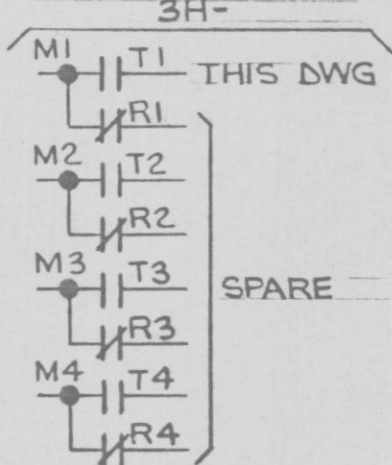
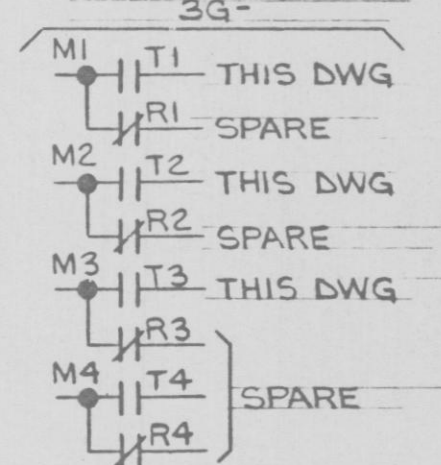


1



CONTINUED FROM ESK-7CMS06

CONTINUED ON ESK-7CMS20



DIVISION I VALVES CKT NO. 2CMSA03 (GREEN)

PRC APERTURE CARD

NOTES:
1. ALL EQUIPMENT LOCATED AS NOTED
2. LOGIC DIAG LSK-33-2

LIMIT SWITCH DEVELOPMENT		FUNCTION		
33	VALVE POSN	2CMS*SOV65A	2CMS*SOV64A	2CMS*SOV62A
1	FULL OPEN	RED LT	RED LT	RED LT
2	FULL CLOSE	GRN LT	GRN LT	GRN LT
3		THIS DWG	THIS DWG	ESK-7SCI43
4		SPARE	SPARE	SPARE

CS	DETAIL	ESK	SPARES	USED ON
IT-1U-	"H5"	3B	1B, 2T	

7	6	5	4	3	2	1
---	---	---	---	---	---	---

DESIGN CONTROL ISSUE
1/25/81
JST

NUCLEAR SAFETY RELATED
QA CAT I
AC ELEM DIAG-120VAC MISC CKT
CONTAINMENT ATMOSPHERE MONITORING
NINE MILE POINT NUCLEAR STATION-UNIT 2
NIAGARA MOHAWK POWER CORPORATION
STONE & WEBSTER ENGINEERING CORPORATION
12177-ESK-7CMS19

D