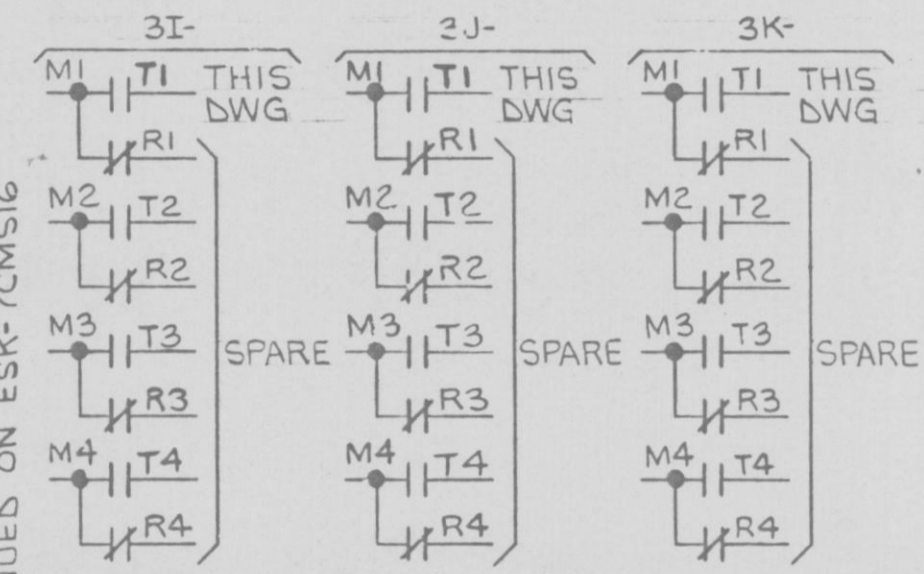
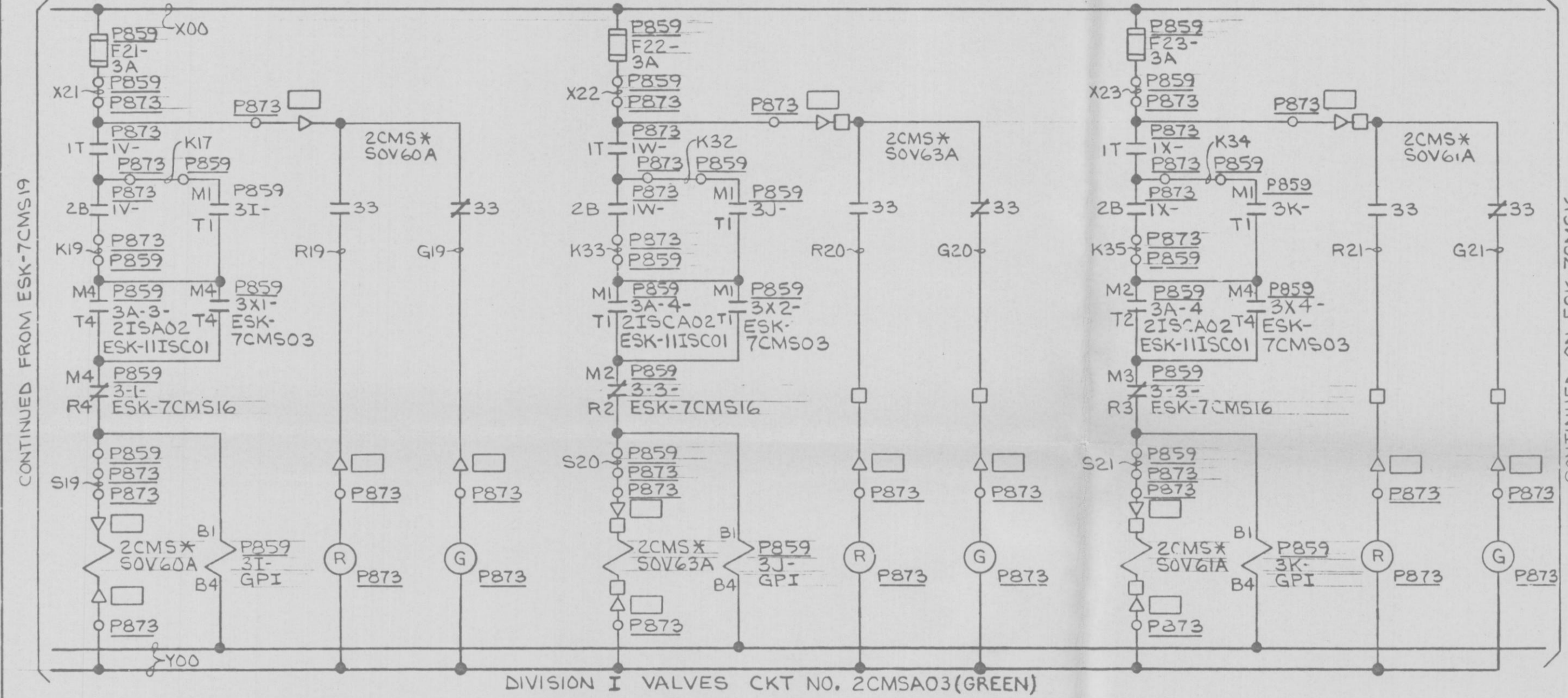


2CMS\*SOV60A DIV I RADN MON OUTBD INLET ISOLATION    2CMS\*SOV63A DIV I RADN MON INBD OUTLET ISOLATION    2CMS\*SOV61A DIV I RADN MON INBD INLET ISOLATION



- NOTES:  
 1. ALL EQUIPMENT LOCATED AS NOTED.  
 2. LOGIC DIAG LSK-33-2.  
 3. □ - DENOTES DW PENETRATION.

DIVISION I VALVES CKT NO. 2CMSA03(GREEN)

LIMIT SWITCH DEVELOPMENT					
33	VALVE POSN		FUNCTION		
	FULL OPEN	FULL CLOSE	2CMS*SOV60A	2CMS*SOV63A	2CMS*SOV61A
1	— —	— —	RED LT	RED LT	RED LT
2	— —	— —	GRN LT	GRN LT	GRN LT
3	— —	— —	ESK-7SCI43	ESK-7SCI43	ESK-7SCI43
4	— —	— —	SPARE	SPARE	SPARE

PRC APERTURE CARD

CS	DETAIL	ESK	SPARES	USED ON
IV-	"H5"	3B	1B, 2T	—
IX-	"H5"	3B	1B, 2T	—

NUCLEAR SAFETY RELATED  
 QA CAT I  
 AC ELEM DIAG-120VAC MISC CKT  
 CONTAINMENT ATMOSPHERE MONITORING  
 NINE MILE POINT NUCLEAR STATION-UNIT 2  
 NIAGARA MOHAWK POWER CORPORATION  
 STONE & WEBSTER ENGINEERING CORPORATION  
 12177-ESK-7CMS20

7	6	5	4	3	2	1
---	---	---	---	---	---	---

GE LSTG  
 GE NED

D