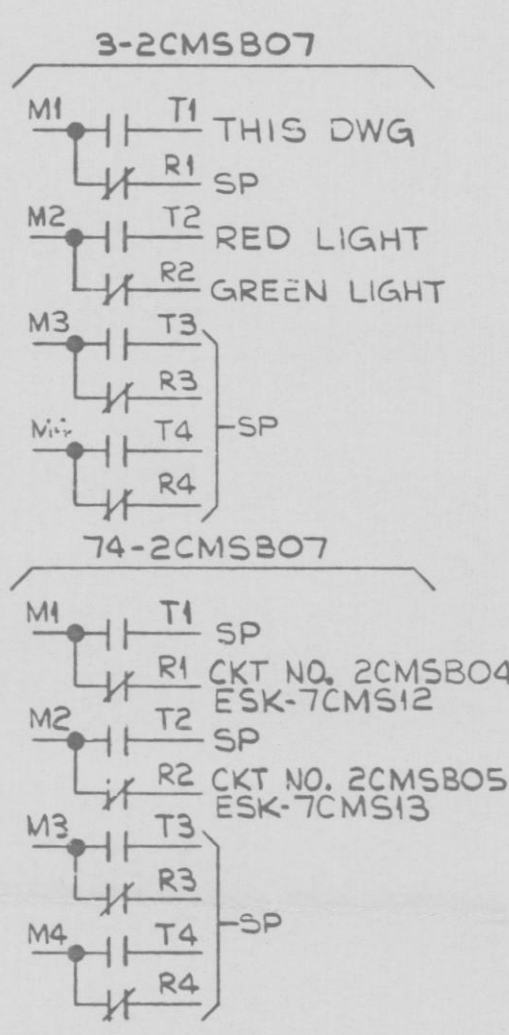
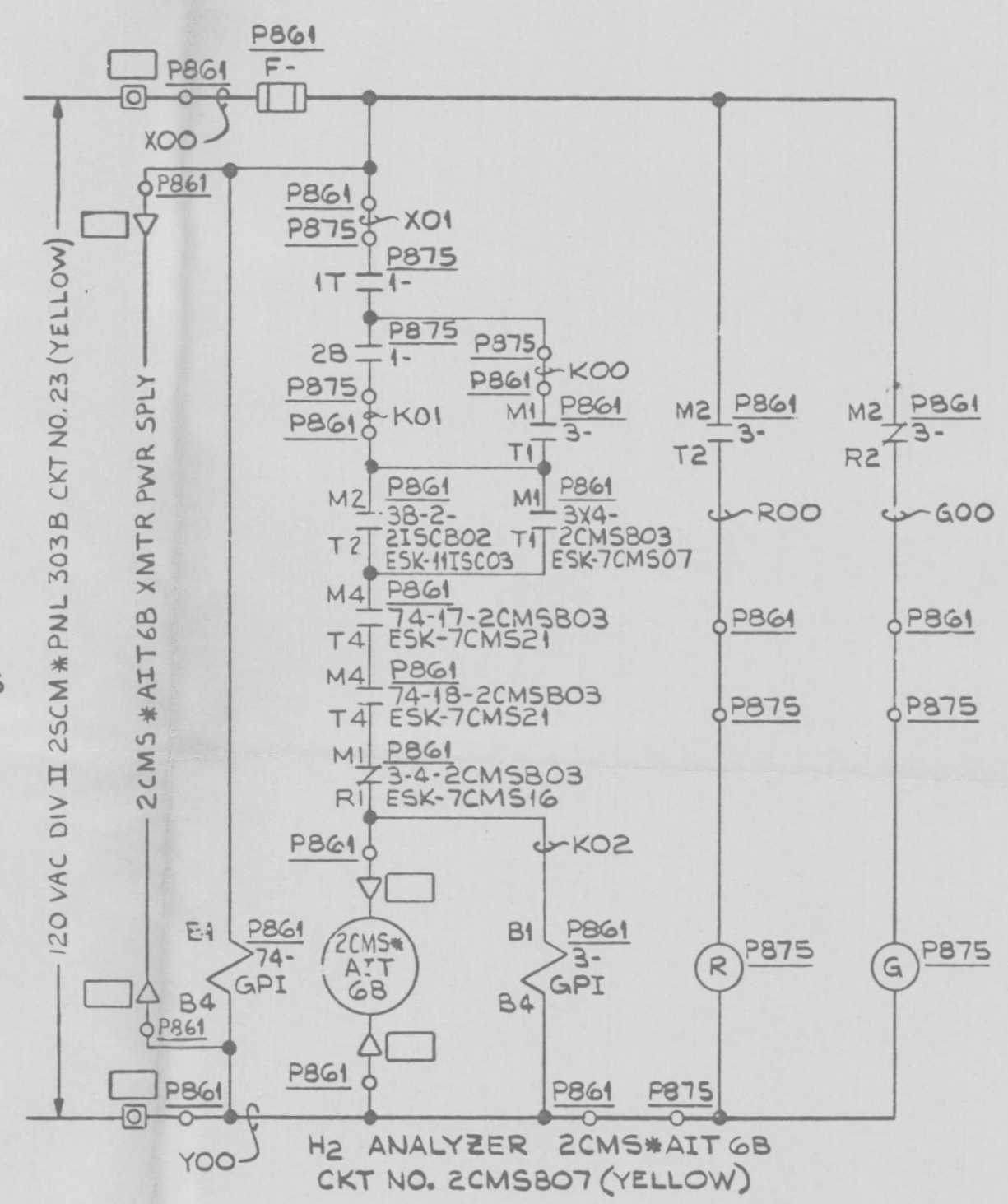
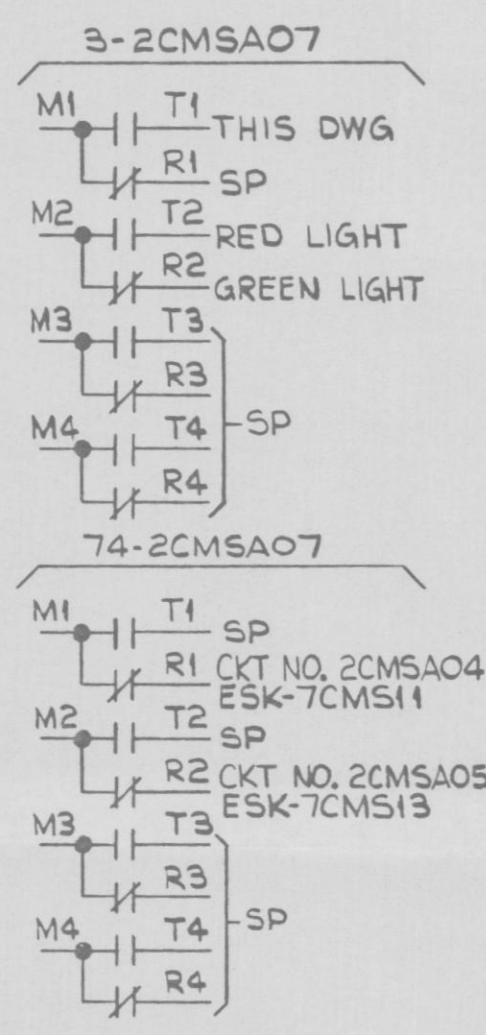
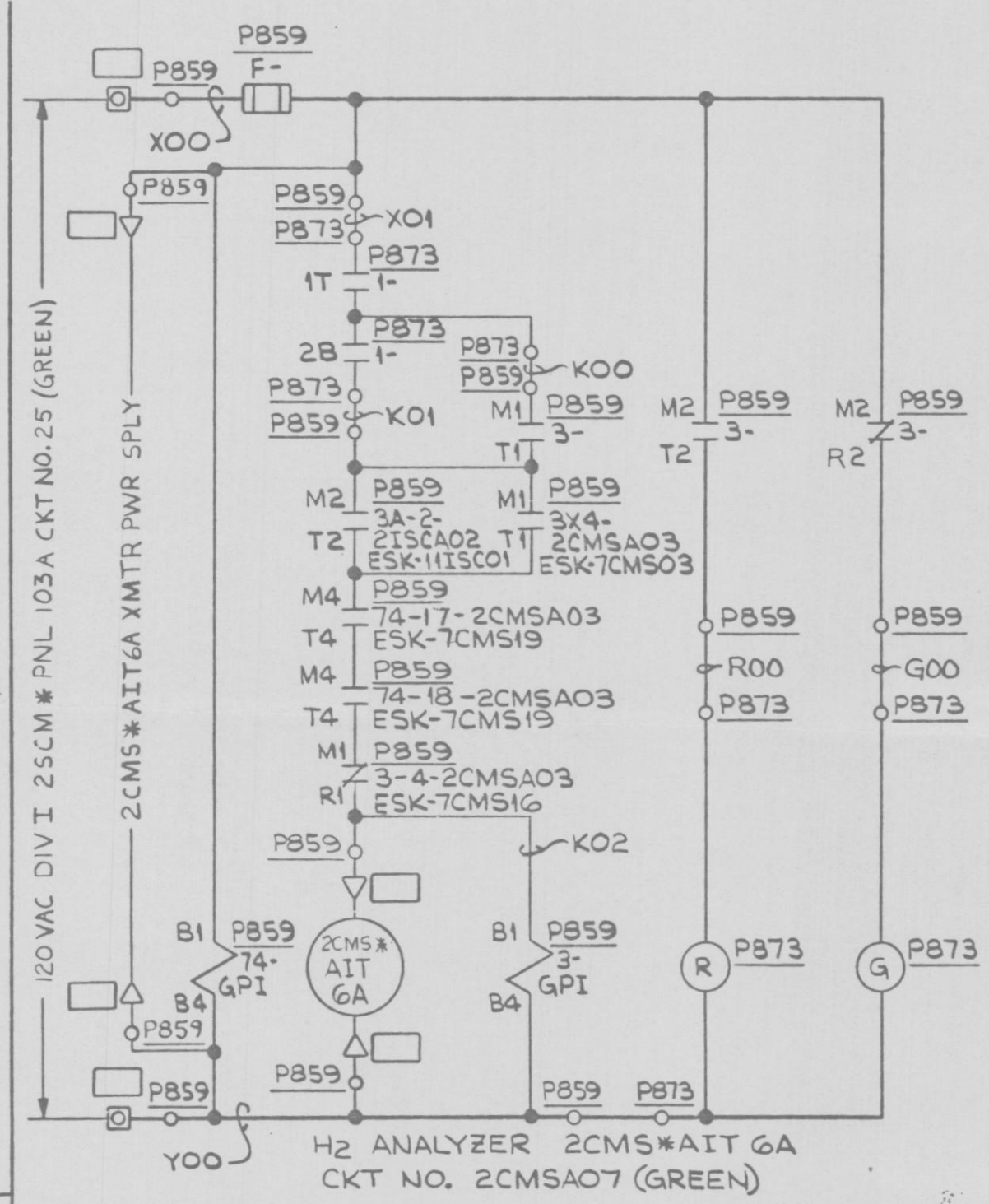


1



NOTES:
 1. ALL EQUIPMENT LOCATED AS NOTED.
 2. LOGIC DIAG LSK-33-2C

PRC
 APERTURE
 CARD

CS	DETAIL	ESK	SPARES	USED ON
1-2CMSA07	"H"	3B	1B, 2T	—
1-2CMSB07	"H"	3B	1B, 2T	—

DESIGN CONTROL ISSUE

AC ELEM DIAG 120VAC MISC CKTS
 CONTAINMENT ATMOSPHERE MONITORING
 NINE MILE POINT NUCLEAR STATION-UNIT 2
 NIAGARA MOHAWK POWER CORPORATION

STONE & WEBSTER ENGINEERING CORPORATION

12177-ESK-7CMS23

GE LSTG
 GE MED

D