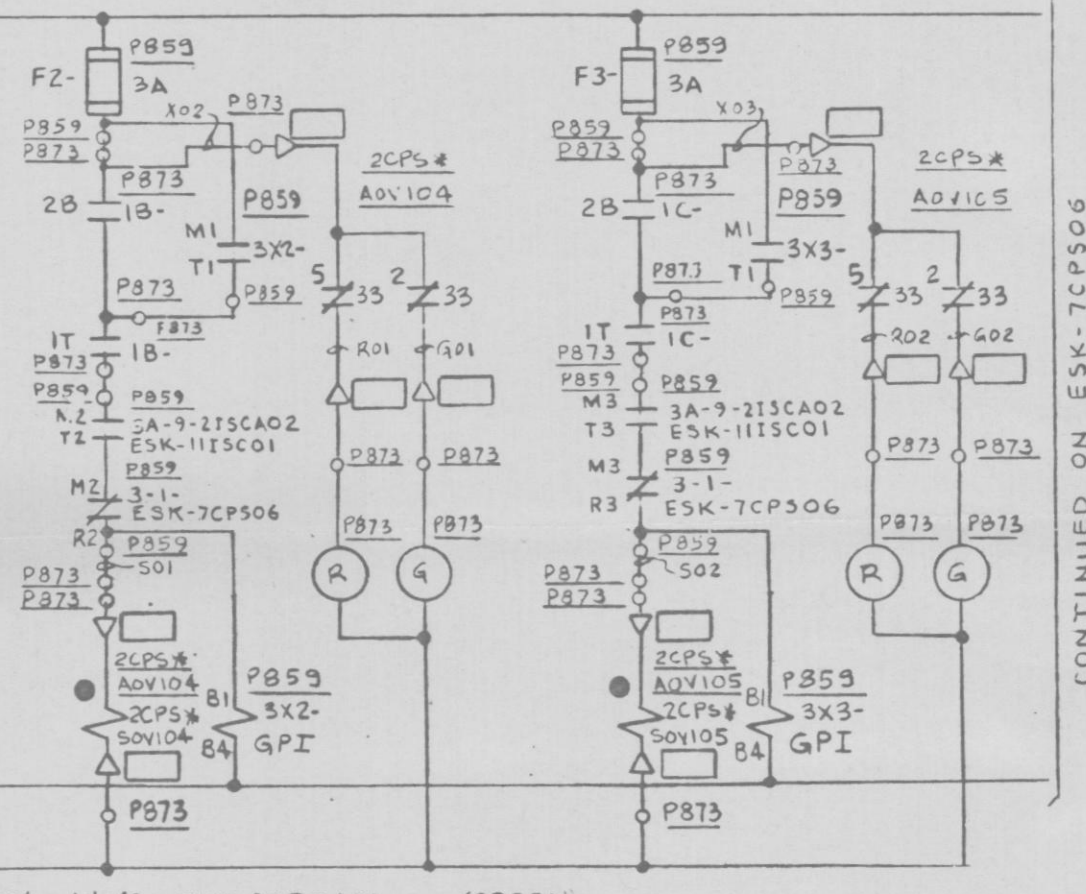
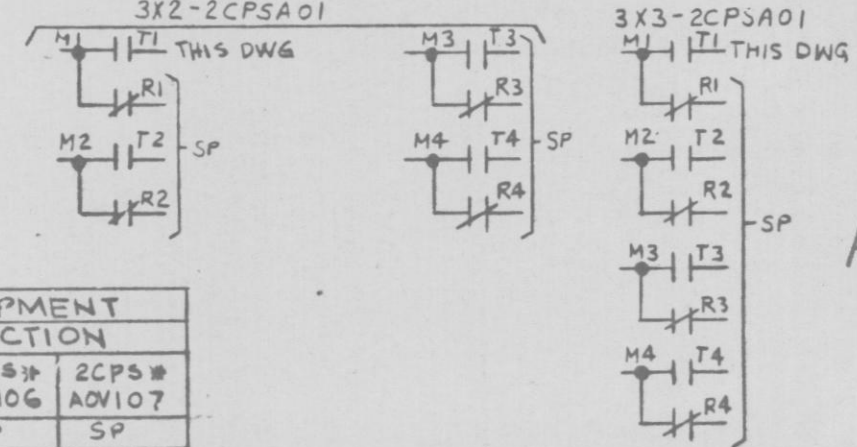


120VAC DIV I BUS A (GREEN)  
25CM # PAL101A CKT-25

DW PURGE OUTBD INLET ISOL VLV 2CPS# AOV104  
SUPPR CHAM PURGE OUTBD INLET ISOL VLV 2CPS# AOV105



DIV I OUTBD INLET ISOL VLVS CKT-2CPSA01 (GREEN)  
3X2-2CPSA01  
3X3-2CPSA01

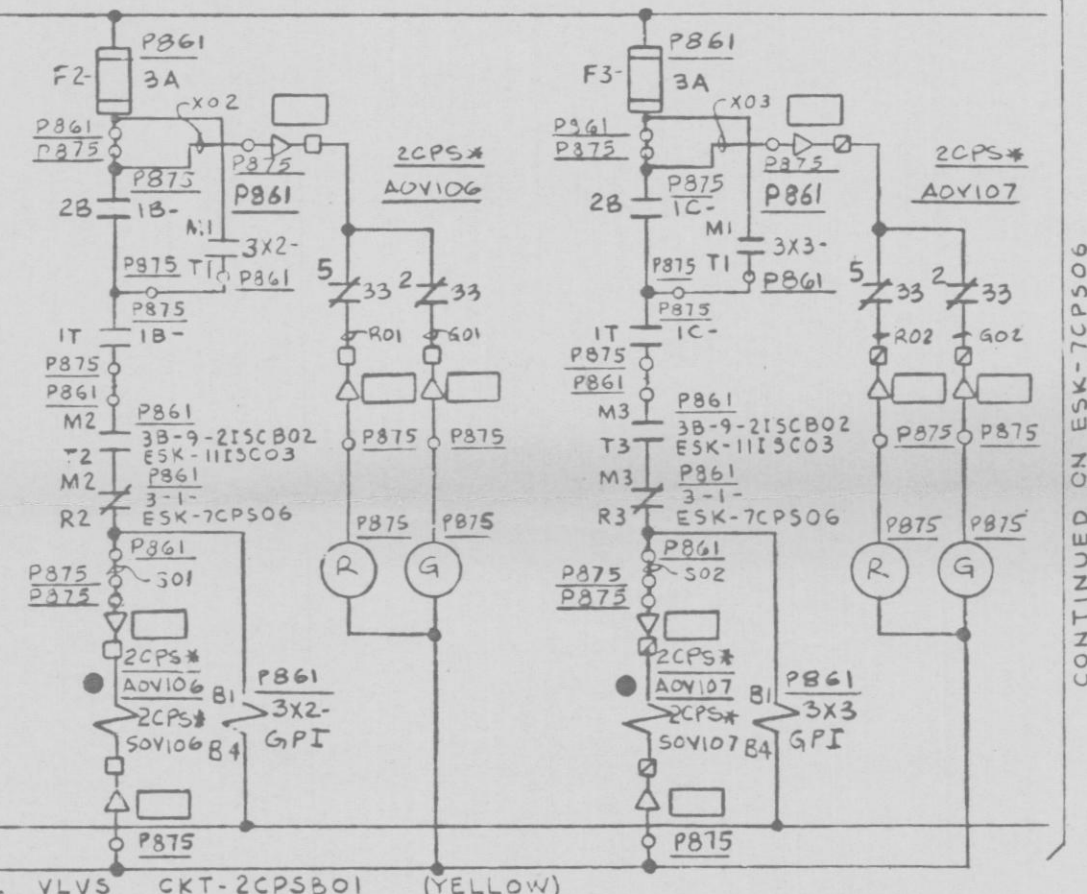


PRC APERTURE CARD

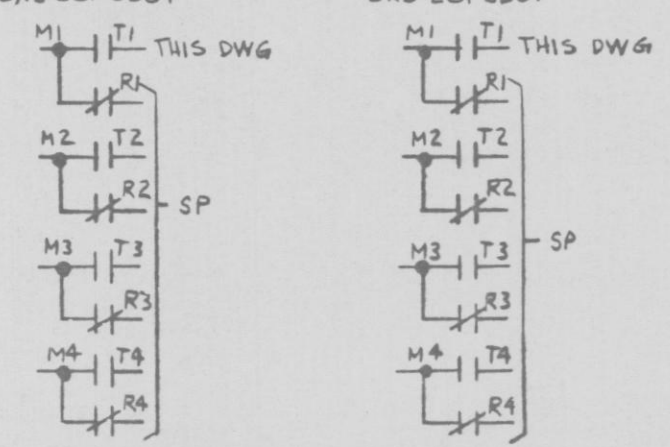
		VALVE POSN		FUNCTION			
33		FULL OPEN	FULL CLOSE	2CPS# AOV104	2CPS# AOV105	2CPS# AOV106	2CPS# AOV107
OPEN	1	A-T-B		SP	SP	SP	SP
	2	C-T-D		THIS DWG	THIS DWG	THIS DWG	THIS DWG
	3	E-T-F		SP	SP	SP	SP
	4	G-T-H		SP	SP	SP	SP
	5	A-T-B		THIS DWG	THIS DWG	THIS DWG	THIS DWG
	6	C-T-D		SP	SP	SP	SP
	7	E-T-F		SP	SP	SP	SP
CLOSE	8	G-T-H		ESK-75C204	ESK-75C204	ESK-75C215	ESK-75C215

120VAC DIV II BUS B (YELLOW)  
25CM # PNL301B CKT-24

DW PURGE INBD INLET ISOL VLV 2CPS# AOV106  
SUPPR CHAM PURGE INBD INLET ISOL VLV 2CPS# AOV107



DIV II INBD INLET ISOL VLVS CKT-2CPSB01 (YELLOW)  
3X2-2CPSB01  
3X3-2CPSB01



- NOTES
- - INDICATES DW PENETRATION
  - ◻ - INDICATES SUPPR CHAM PENETRATION
  - ALL EQUIPMENT LOCATED AT P4CC UNLESS OTHERWISE NOTED
  - - ASSOCIATED VALVE CLOSE WHEN SOV IS DE-ENERGIZED
  - LOGIC DIAGRAM LSK-22-23A

CS	DETAIL	ESK	SPARE	USED ON
1B #1C-2CPSA01	"HS"	2B	1B #2T	AC ELEM D'AG-MISC AC CKTS
1B #1C-2CPSB01	"HS"	3B	1B #2T	PRIMARY CONTAINMENT PURGE

NUCLEAR SAFETY RELATED  
QA CAT I  
AC ELEM D'AG-MISC AC CKTS  
PRIMARY CONTAINMENT PURGE  
NINE MILE POINT NUCLEAR STATION-UNIT 2  
NIAGARA MOHAWK POWER CORPORATION  
STORE & WEBSTER ENGINEERING CORPORATION  
12177-ESK-7CPS01

NO CHANGE DESIGN CONTROL TOOK	DATE	BY	REASON
6-22-77	6/22/77	R.K.	REVISED
6-29-77	6/29/77	R.K.	REVISED
7/13/76	7/13/76	R.K.	REVISED
6/28/74	6/28/74	R.K.	REVISED

GE-NEO ✓ GE-LST6