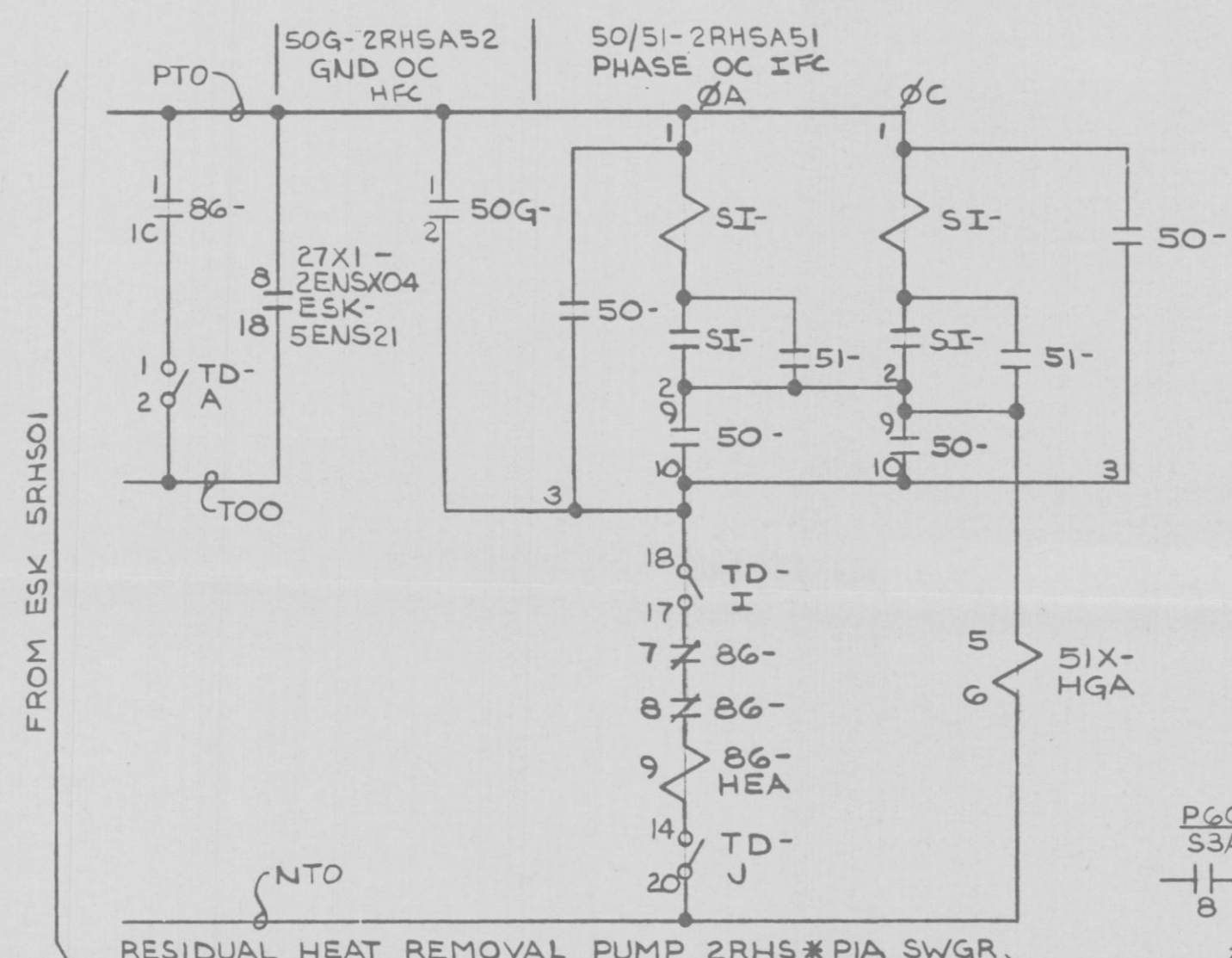


1

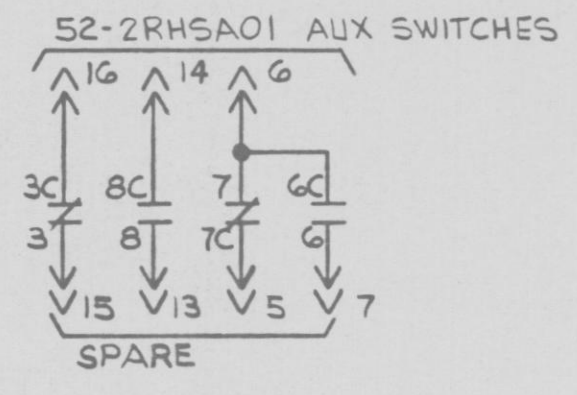
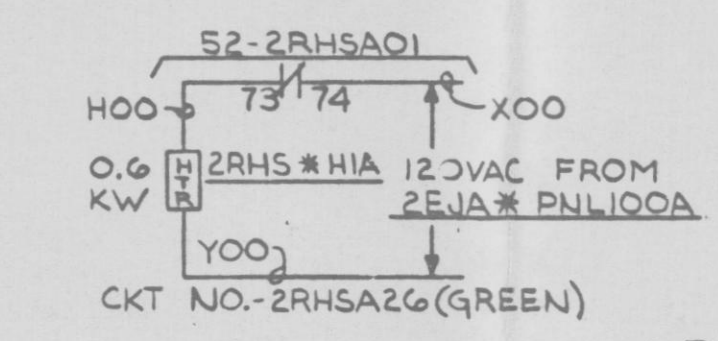
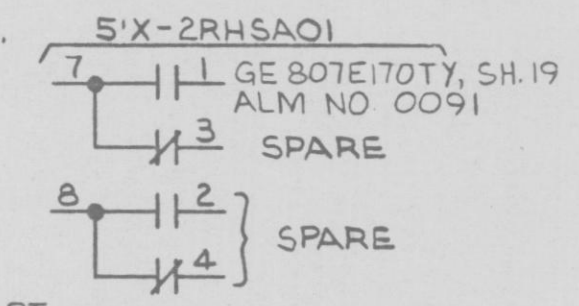
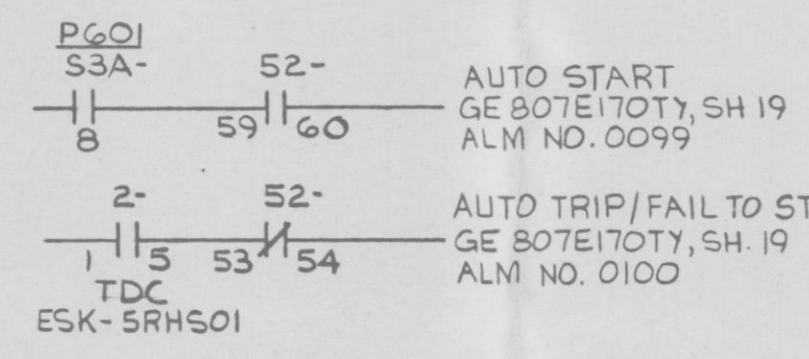
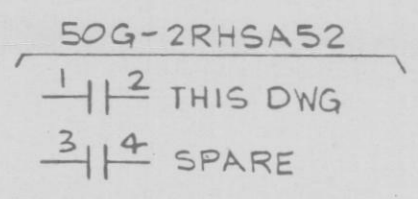
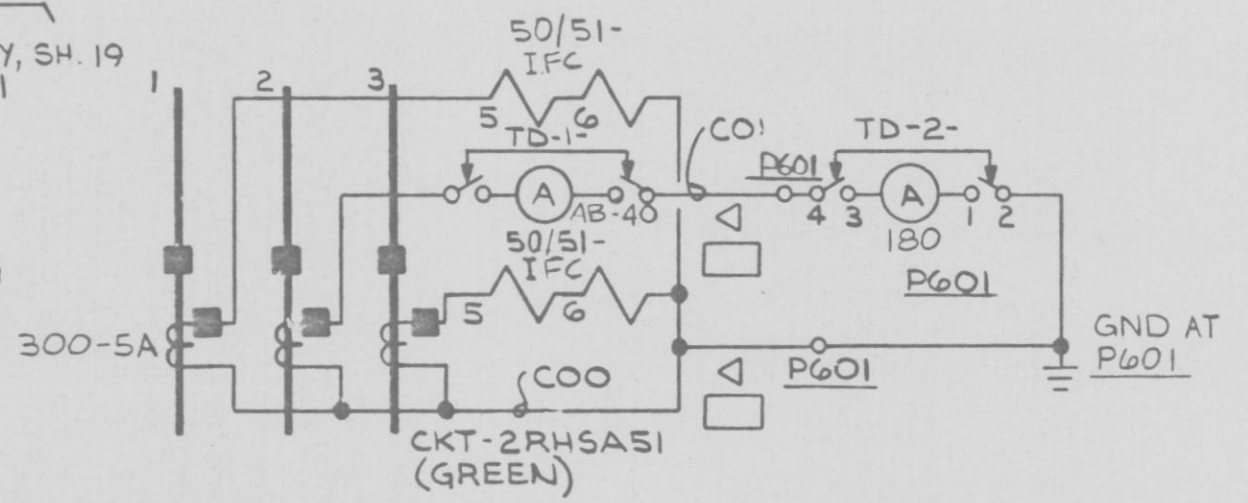
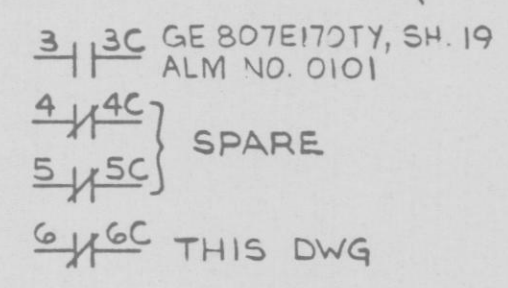
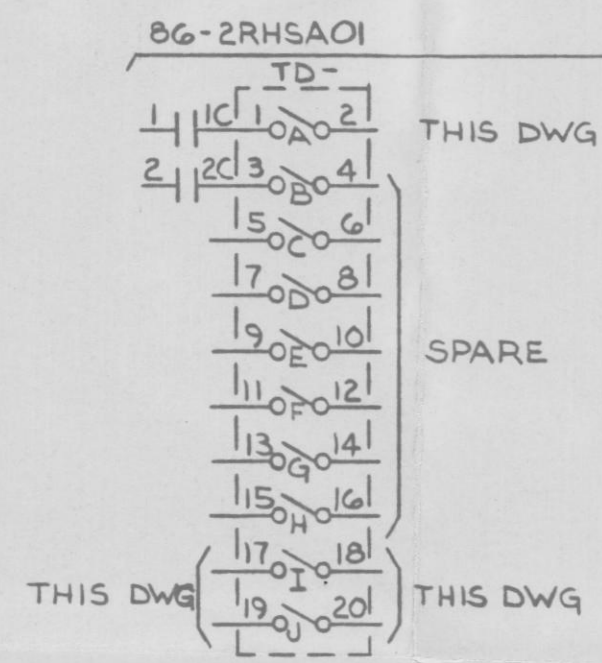


RESIDUAL HEAT REMOVAL PUMP 2RHS*PIA SWGR
2ENS* SWG101 (GE E12-C002A) CKT NO. 2RHSAS1 (GREEN)

52-STA AUX SWITCHES

51	53	55	57	59	61	63	65	67	69	71	73
52	54	56	58	60	62	64	66	68	70	72	74

GE 807E170TY, SH. 21 COMPUTER	THIS DWG	SPARE	SPARE	THIS DWG	SPARE	GE DWG NO. 807E170TY SH 0	SPARE	SPARE	SPARE	SPARE	MOTOR HEATER THIS DWG
----------------------------------	----------	-------	-------	----------	-------	------------------------------	-------	-------	-------	-------	--------------------------



NOTES:

- TRANSFER SWITCH SI2-IS LOCATED AT P405. ALL OTHER EQUIPMENT LOCATED AT SWGR UNLESS OTHERWISE NOTED.
- SEE APPLICABLE GE FCD-731E999.
- SEE APPLICABLE GE ELEMENTARY-807E170TY, 807E151TY.
- ☒ INDICATES PNL405 TERMINATION

PRC APERTURE CARD

7	6	5	4	3	2	1
---	---	---	---	---	---	---

DESIGN CONTROL ISSUE

1 7/1/81
JRM

NUCLEAR SAFETY RELATED
QA CAT I

DC ELEM DIAG-4.16KV SWGR CKT.
RESIDUAL HEAT REMOVAL PUMP 1A
NINE MILE POINT NUCLEAR STATION-UNIT 2
NIAGARA MOHAWK POWER CORPORATION

STONE & WEBSTER ENGINEERING CORPORATION

12177-ESK-5RHS04

D