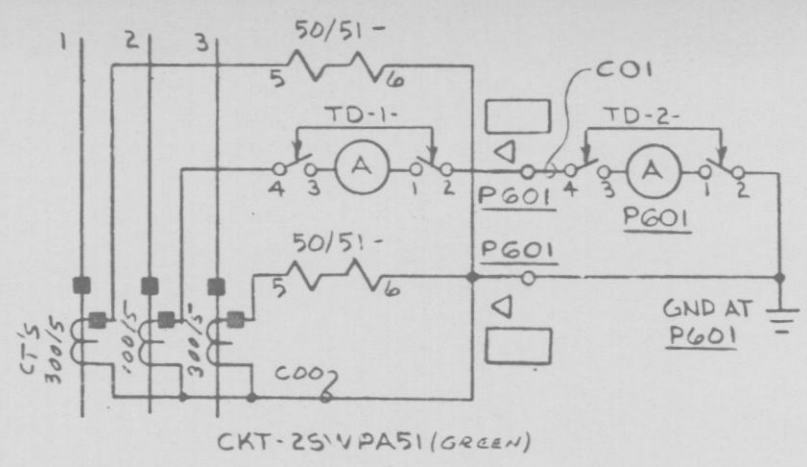
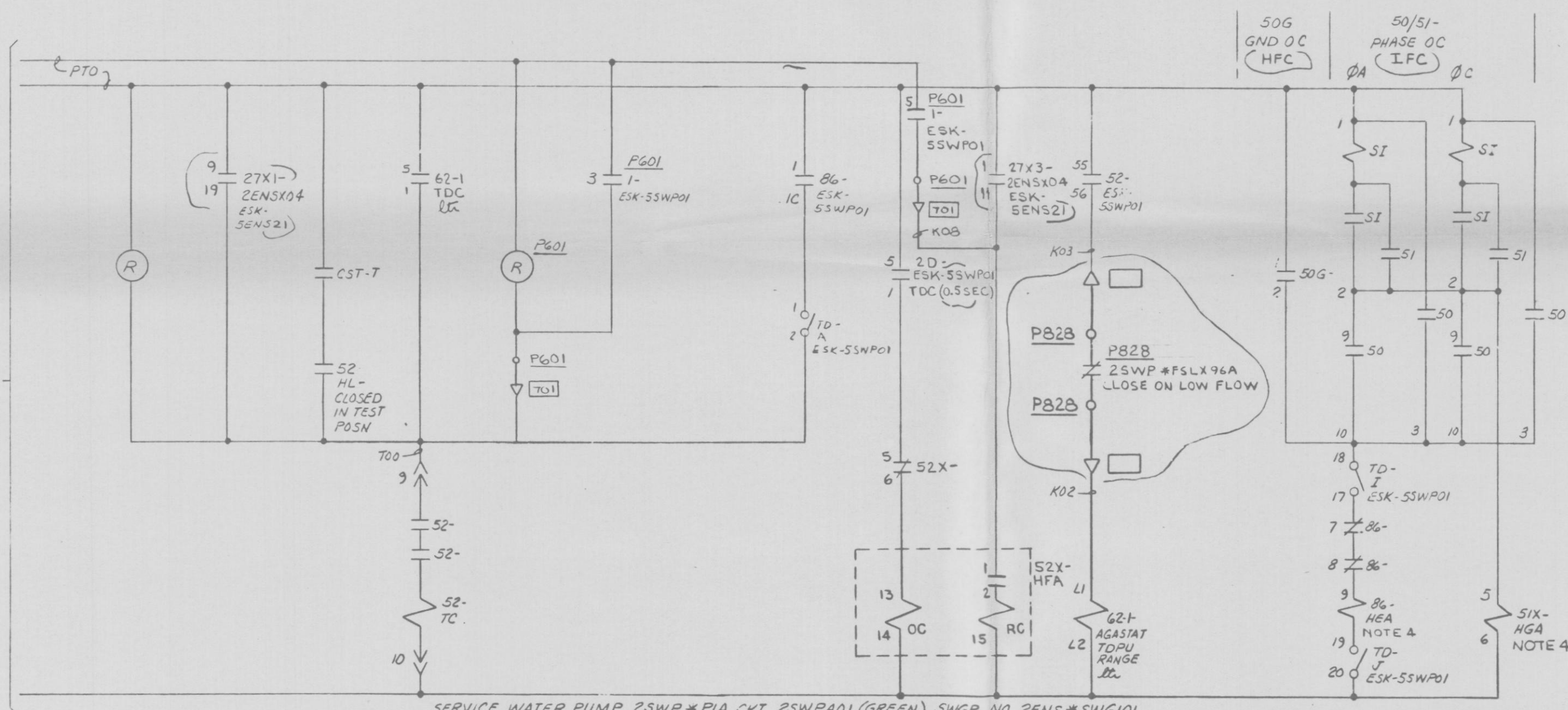
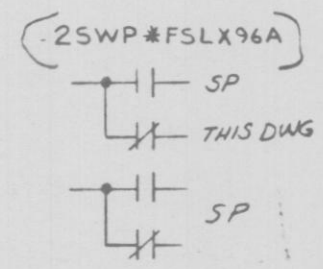


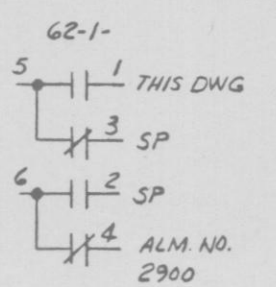
CONTINUED FROM ESK-5SWP01



- NOTES:
1. ALL EQUIPMENT LOCATED AT SWGR UNLESS OTHERWISE NOTED
  2. LOGIC DIAGRAM LSK-710A) § 24-9.4
  3. REMOTE SHUTDOWN REQUIREMENTS LATER.
  4. CONTACT DEVELOPMENT SHOWN ON ESK-5SWP01.



- 52X-  
 1-2 THIS DWG  
 3-4 SP  
 5-6 THIS DWG  
 7-8 ESK-5SWP01  
 9-10 SP  
 11-12 ESK-5SWP01



PRC APERTURE CARD

DESIGN CONTROL ISSUE	REV	DATE	BY	CHK	REV	DATE	BY	CHK
1								
2								
3								
4								

NUCLEAR SAFETY RELATED  
 QA CAT I -  
 DC ELEM DIAG - 4.16 KV SWGR CKT  
 SERVICE WATER PUMP IA  
 NINEMILE POINT NUCLEAR STATION-UNIT 2  
 NIAGARA MOHAWK POWER CORPORATION  
 STONE & WHETTER ENGINEERING CORPORATION  
 12177-ESK-5SWP07

D