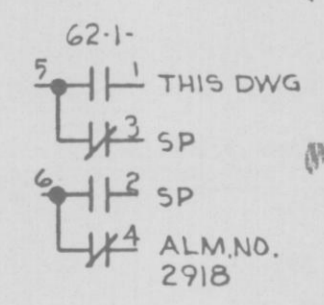
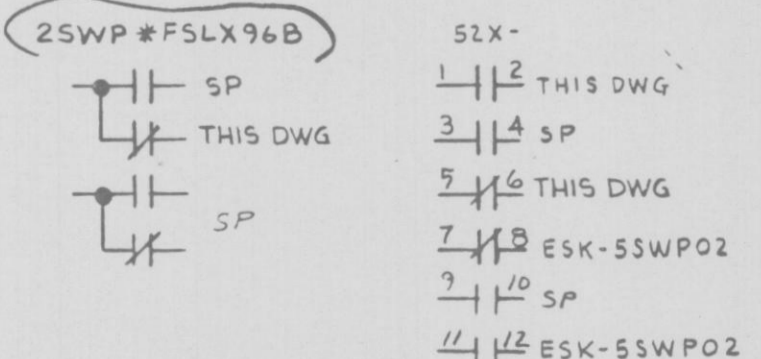
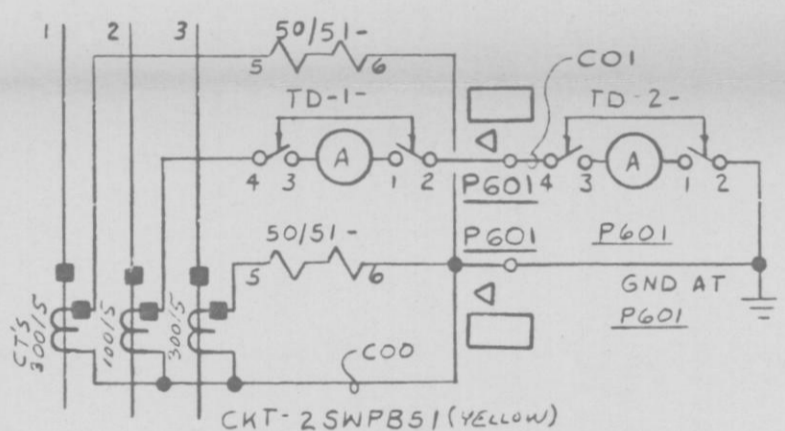
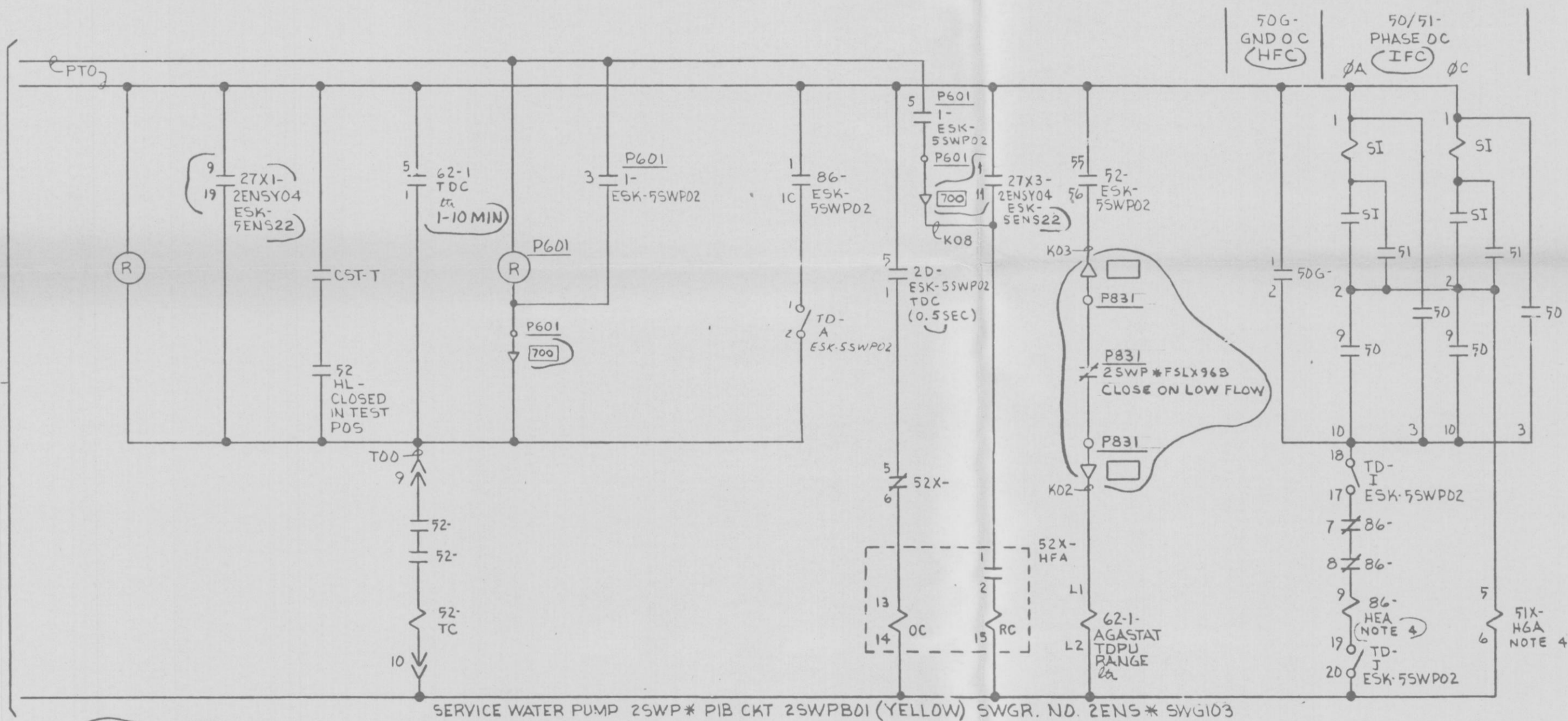


CONTINUED FROM ESK-5SWP02



PRC APERTURE CARD

- NOTES:
 1. ALL EQUIPMENT LOCATED AT SWGR UNLESS OTHERWISE NOTED
 2. LOGIC DIAGRAM LSK-9-10A 24-3,4
 3. RE-MOTE SHUTDOWN REQUIREMENTS LATER.
 4. CONTACT DEVELOPMENT SHOWN ON ESK-5SWP01

NUCLEAR SAFETY RELATED
 QA CAT I

DC ELEM DIAG-4.16 KV SWGR CKT
SERVICE WATER PUMP IB
NINEMILE POINT NUCLEAR STATION-UNIT 2
NIAGARA MOHAWK POWER CORPORATION
STONE & WEBER ENGINEERING CORPORATION
12177-ESK-5SWP08

DESIGN CONTROL ISSUE	Rev Pccc	REV P6CC	P6CC
3/9/81	M 12-28-77	6-9-77	3/12/77
INCORP E & DCR G40244	3	1	1
RM			

GE-11816
 GE-11817

D