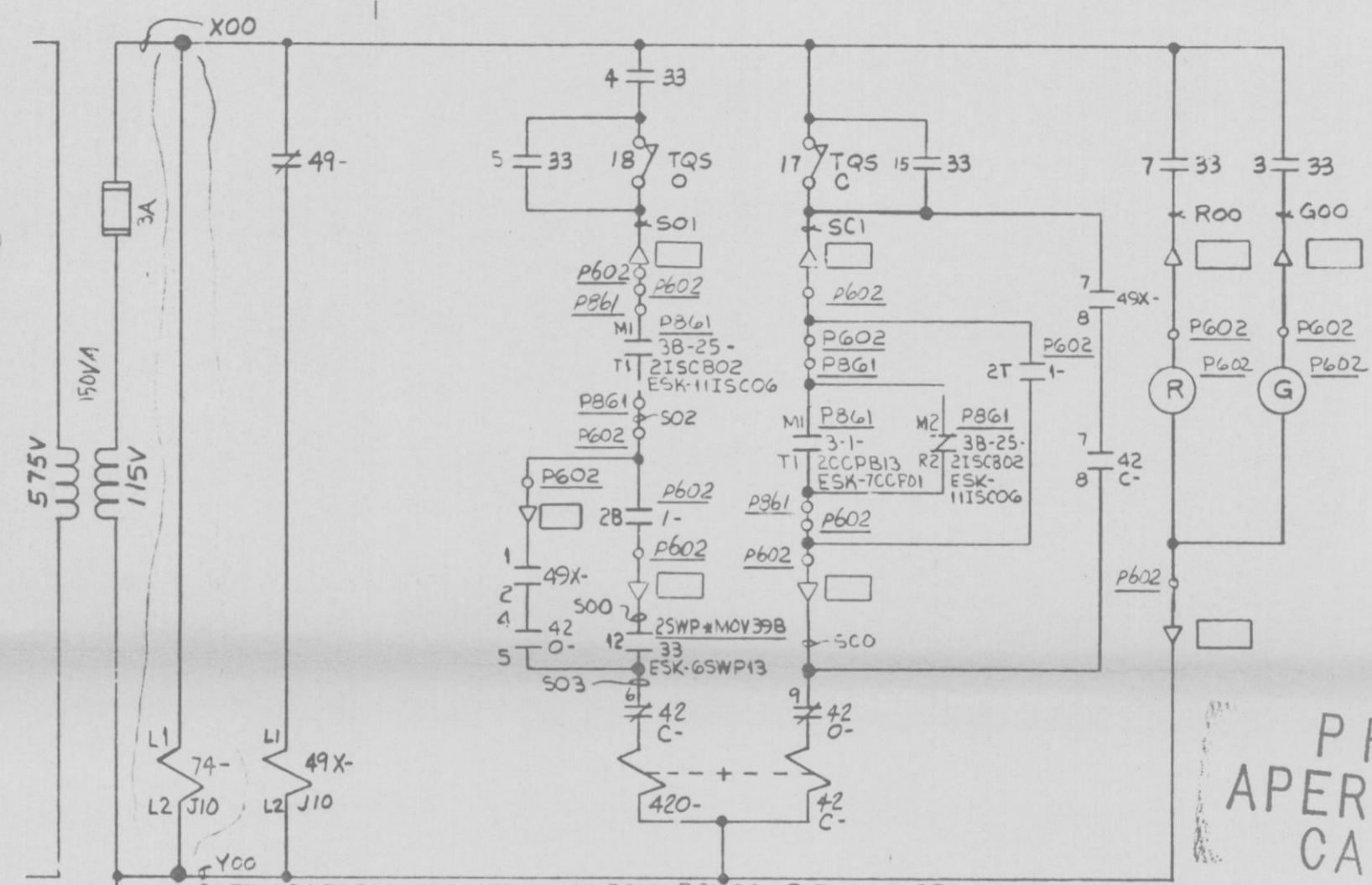


49X-2CCPA09
 7|8 THIS DWG
 5|6 SP
 3|4 THIS DWG
 1|2 THIS DWG

49X-2CCPB09
 7|8 THIS DWG
 5|6 SP
 3|4 THIS DWG
 1|2 THIS DWG



74-2CCPA09
 1|2 SPARE
 3|4 SPARE
 5|6 SPARE
 7|8 THIS DWG

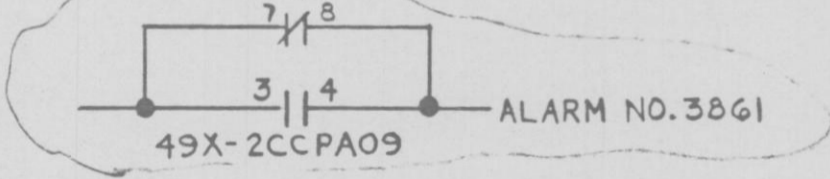
74-2CCPB09
 1|2 SPARE
 3|4 SPARE
 5|6 SPARE
 7|8 THIS DWG

PRC
 APERTURE
 CARD

NOTES:
 1. VALVE LIMIT SWITCHES LOCATED ON VALVE ACTUATOR. ALL OTHER EQUIPMENT LOCATED AT MCC UNLESS OTHERWISE NOTED.
 2. LOGIC DIAG LSK-9-1

CLOSED LOOP COOLING WTR FROM REAC. RECIRC. PIA COOLERS 2CCP# MOV22A
 CKT 2CCPA09 2EHG * MCC103A (GREEN)

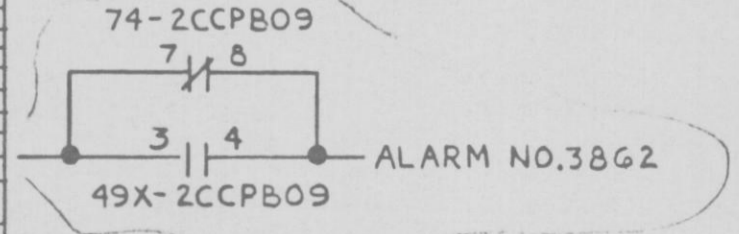
CLOSED LOOP COOLING WTR FROM REAC. RECIRC. PIB COOLERS 2CCP# MOV22B
 CKT 2CCPB09 2EHS * MCC 303B (YELLOW)



420-2CCPA09 4|5 THIS DWG
 42C-2CCPA09 7|8 THIS DWG
 420-2CCPB09 4|5 THIS DWG
 42C-2CCPB09 7|8 THIS DWG

74-2CCPB09 7|8 THIS DWG
 49X-2CCPB09 3|4 THIS DWG

TORQUE SW	VALVE POSITION	LIMIT SWITCH DEVELOPMENT FUNCTION	
		2CCP # MOV22A	2CCP # MOV22B
GE-MED	1	SPARE	SPARE
	2	SPARE	SPARE
	3	GREEN LT	GREEN LT
	4	OPEN LIMIT	OPEN LIMIT
	5	BYPASS	BYPASS
	6	SPARE	SPARE
	7	RED LT	RED LT
	8	SPARE	SPARE
	9	SPARE	SPARE
	10	SPARE	SPARE
	11	SPARE	SPARE
	12	SPARE	SPARE
	13	SPARE	SPARE
	14	SPARE	SPARE
	15	BYPASS	BYPASS
	16	SPARE	SPARE
17	CLOSING TORQUE SW INTERRUPTS CLOSING CYCLE IF MECHANICAL OVERLOAD OCCURS DURING CLOSING CYCLE.		
18	OPENING TORQUE SW INTERRUPTS OPENING CYCLE IF MECHANICAL OVERLOAD OCCURS DURING OPENING CYCLE.		



CS	DETAIL	ESK	SPARES	USED ON
1-2CCPA09	H5	3B	1B, 1T	
1-2CCPB09	H5	3B	1B, 1T	

NUCLEAR SAFETY RELATED
 QA CAT I

AC ELEM DIAG-600V MCC CKT
 CL LOOP CLG WTR FROM REAC RECIRC CLR
 NINE MILE POINT NUCLEAR STATION-UNIT 2
 NIAGARA MOHAWK POWER CORPORATION

DESIGN CONTROL ISSUE	DESIGN CONTROL ISSUE	PGCC REDRAWN
4/28/02	1/16/01	6-3-77
ECN-001	3/22/01	2/29/03

STONE & WEBSTER ENGINEERING CORPORATION
 12177-ESK-6CCPI2

D