

NOTES:

1. GATES SHOWN IN NORMAL OPERATING MODE POSITIONS.
2. ELEVATIONS SHOWN IN SECTION 1-1 & 2-2 REPRESENT CONDITIONS DURING NORMAL CIRCULATING WATER PUMP OPERATION. HEADLOSSES BETWEEN SCREENWELL AND OPEN LAKE ARE BASED ON PRELIMINARY LAKE DIFFUSER SYSTEM YET TO BE FINALIZED BY HYDRAULIC MODEL TESTING. THE MINIMUM POSTULATED LAKE LEVEL, BASED ON ANALYSIS DISCUSSED IN SECTION 2.17, IS 236.5'. THIS WILL ESSENTIALLY BE THE LEVEL IN THE SCREENWELL WHEN SERVICE WATER IS BEING SUPPLIED TO REACTOR DURING SHUTDOWN.
3. SCALE: 1" = 40'

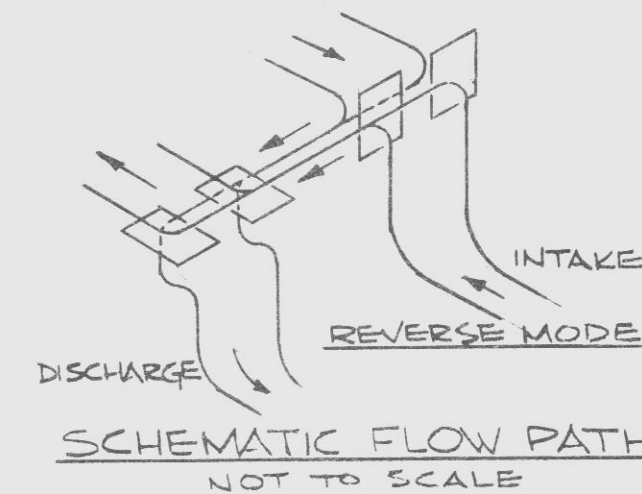
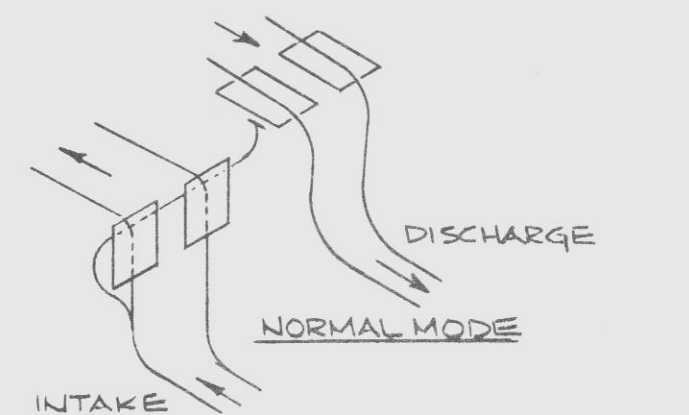
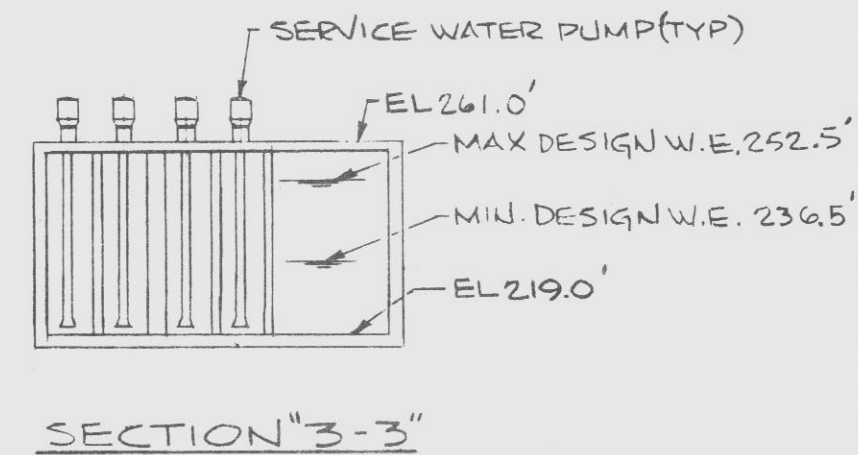
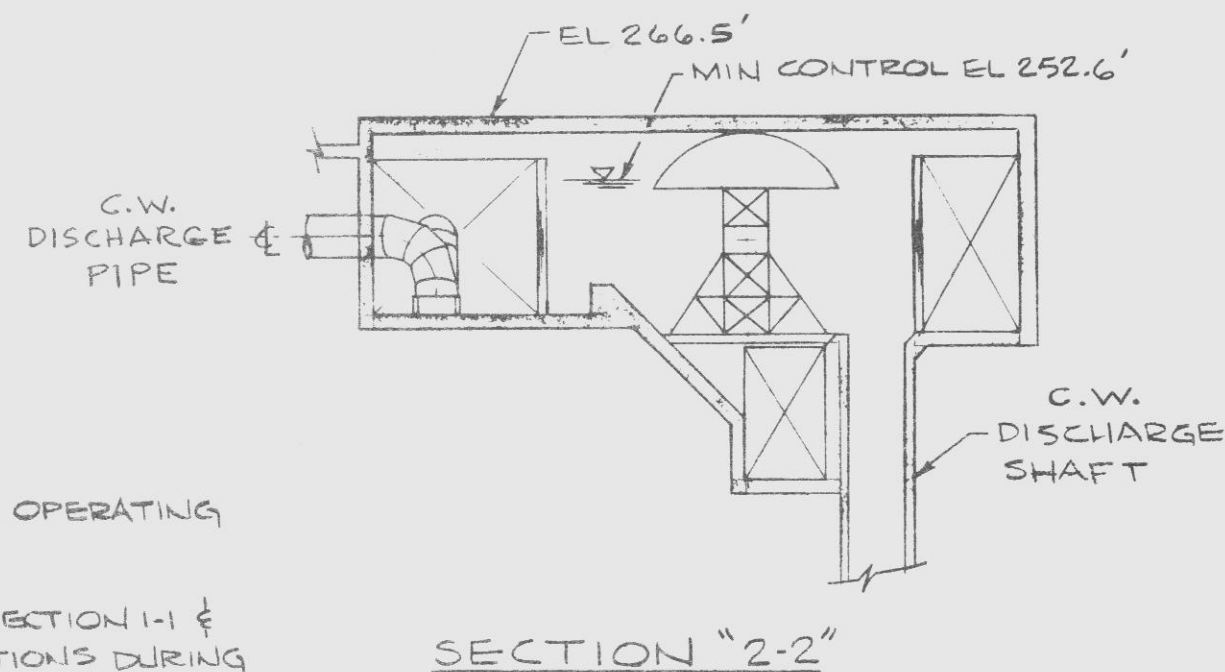
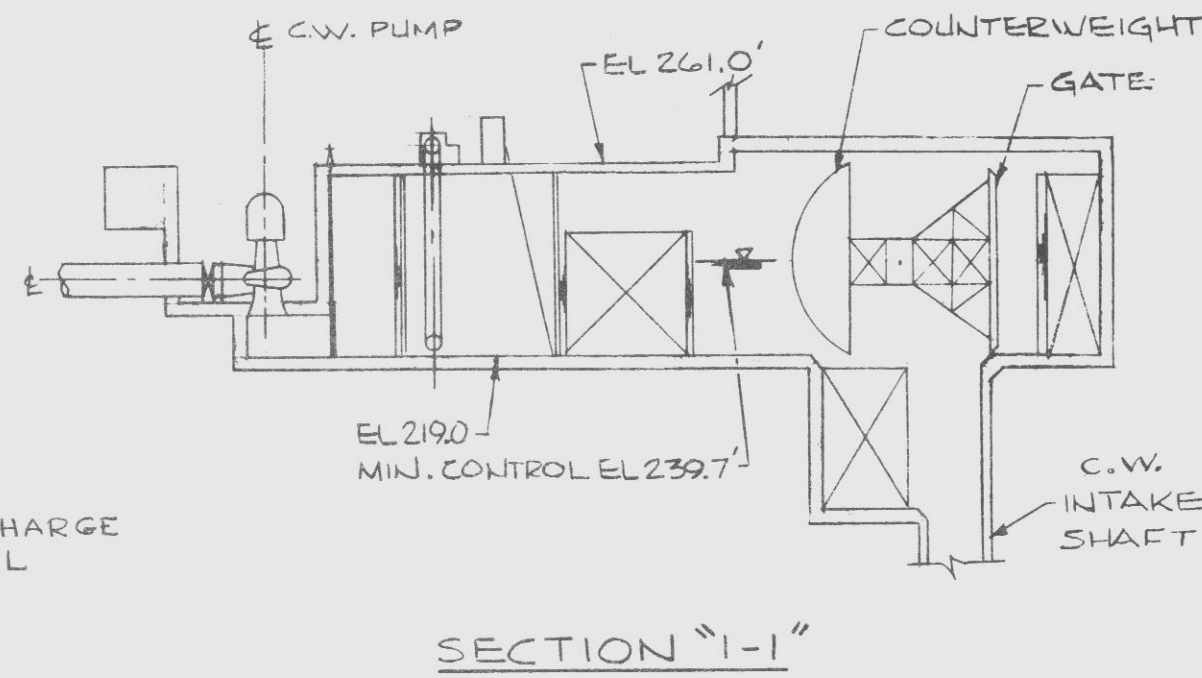


FIG. 2.7-16
SCREENWELL BUILDING
PLAN AND SECTIONS
NINE MILE POINT NUCLEAR STATION—UNIT 2
NIAGARA MOHAWK POWER CORPORATION
PRELIMINARY SAFETY ANALYSIS REPORT

D