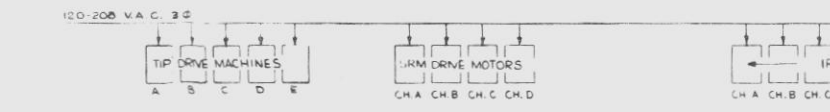
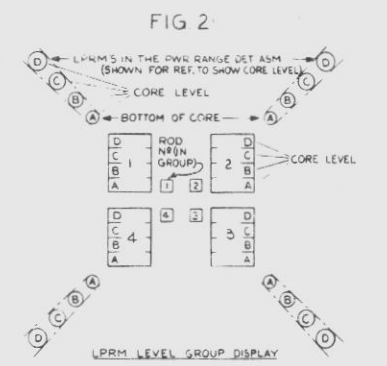
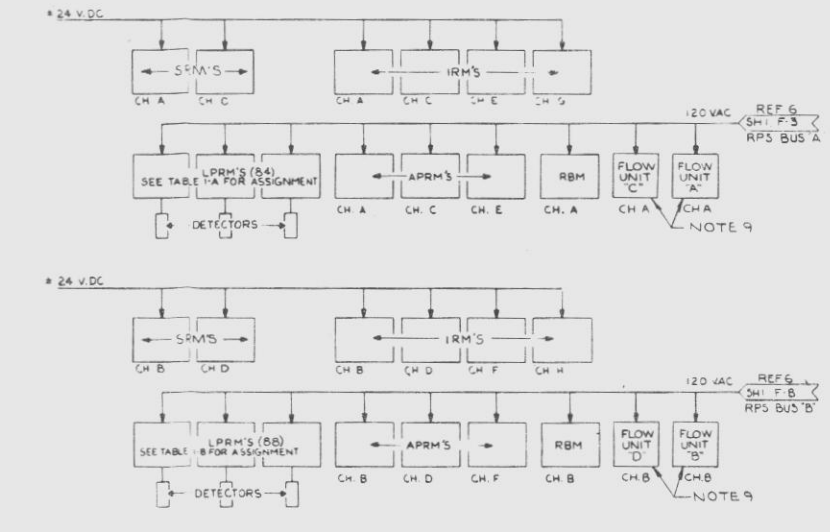


START-UP RANGE NEUTRON MONITORING



POWER DISTRIBUTION

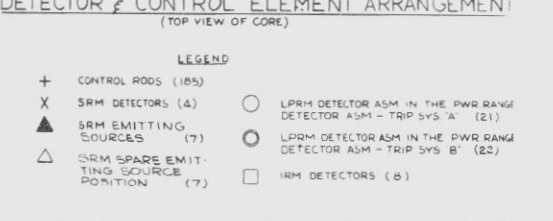
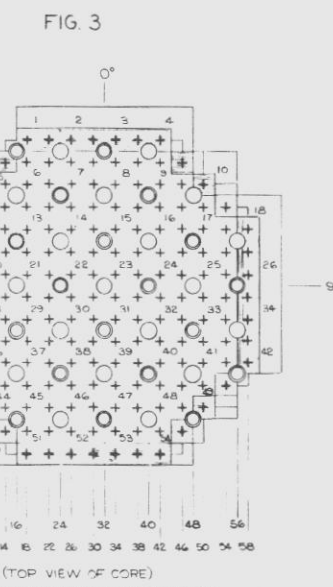
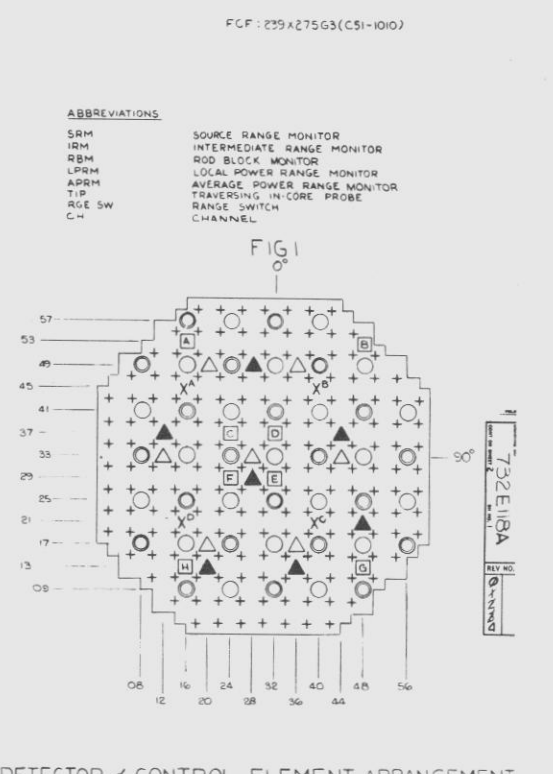


FIG 7.4-2

SOURCE RANGE MONITOR/ INTERMEDIATE RANGE MONITOR NEUTRON MONITORING UNIT

NINE MILE POINT NUCLEAR STATION - UNIT 2

NIAGARA MOHAWK POWER CORPORATION

PRELIMINARY SAFETY ANALYSIS REPORT

