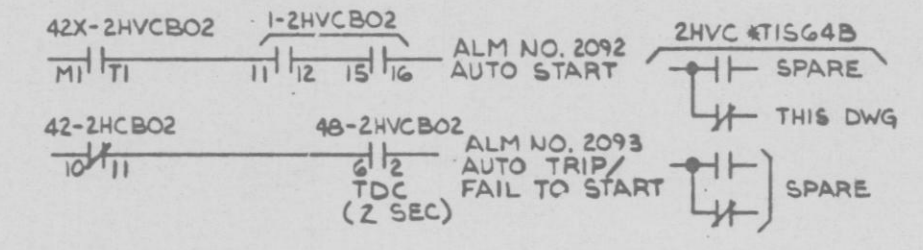
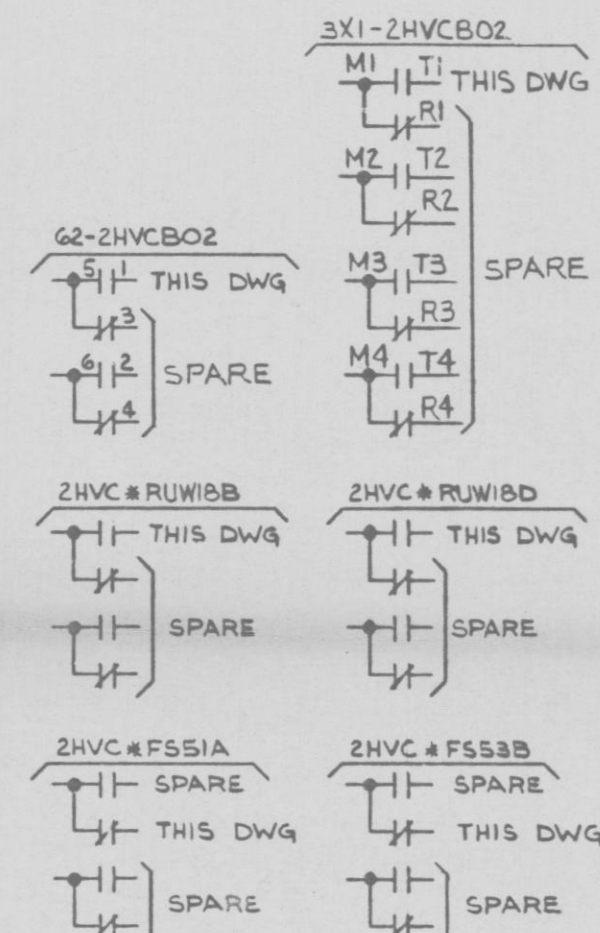
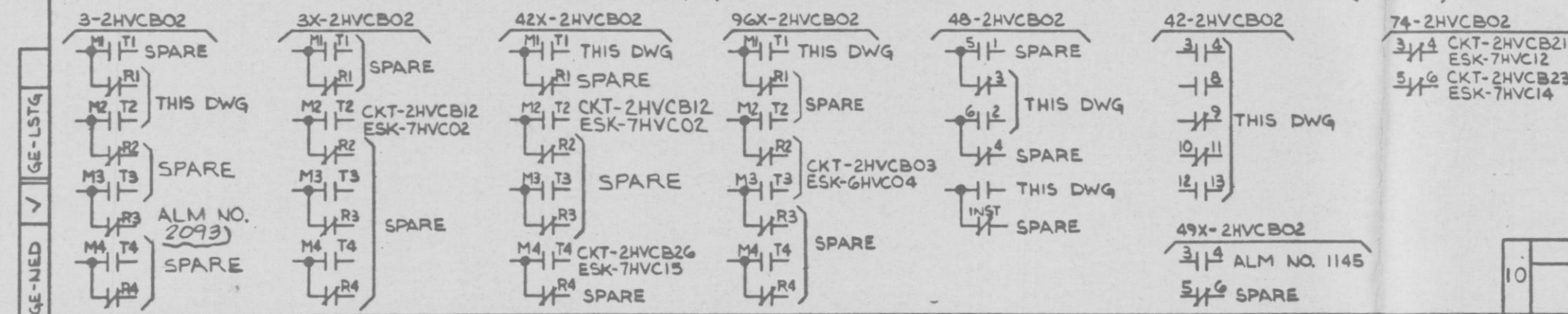


PRC
APERTURE
CARD



NOTES:
1. ALL EQUIPMENT LOCATED AT MCC UNLESS OTHERWISE NOTED.
2. LOGIC DIAGRAM LSK-22-9,1A

CONTROL BLDG A/C FAN 2HVC # FN2B MCC-2EHS * MCC 303B CKT-NO. 2HVCB02 (YELLOW)



CS	DETAIL	ESK	SPARES	USED ON
1-2HVCB02	R	3C	3-4,5-6,9-10	17-18

NUCLEAR SAFETY RELATED
QA CAT I
AC ELEM DIAG-600V MCC CKT
CONTROL BLDG AIR CONDITIONING
NINE MILE POINT NUCLEAR STATION-UNIT 2
NIAGARA MOHAWK POWER CORPORATION
STONE & WEBSTER ENGINEERING CORPORATION
12177-ESK-6HVC03 SH 2 OF 2

DESIGN CONTROL ISSUE 2	REDRAWN DESIGN CONTROL ISSUE
EDV-005,006	INCORP EDCR 64032B
6-28-82	11/3/80
DM	JRM

D