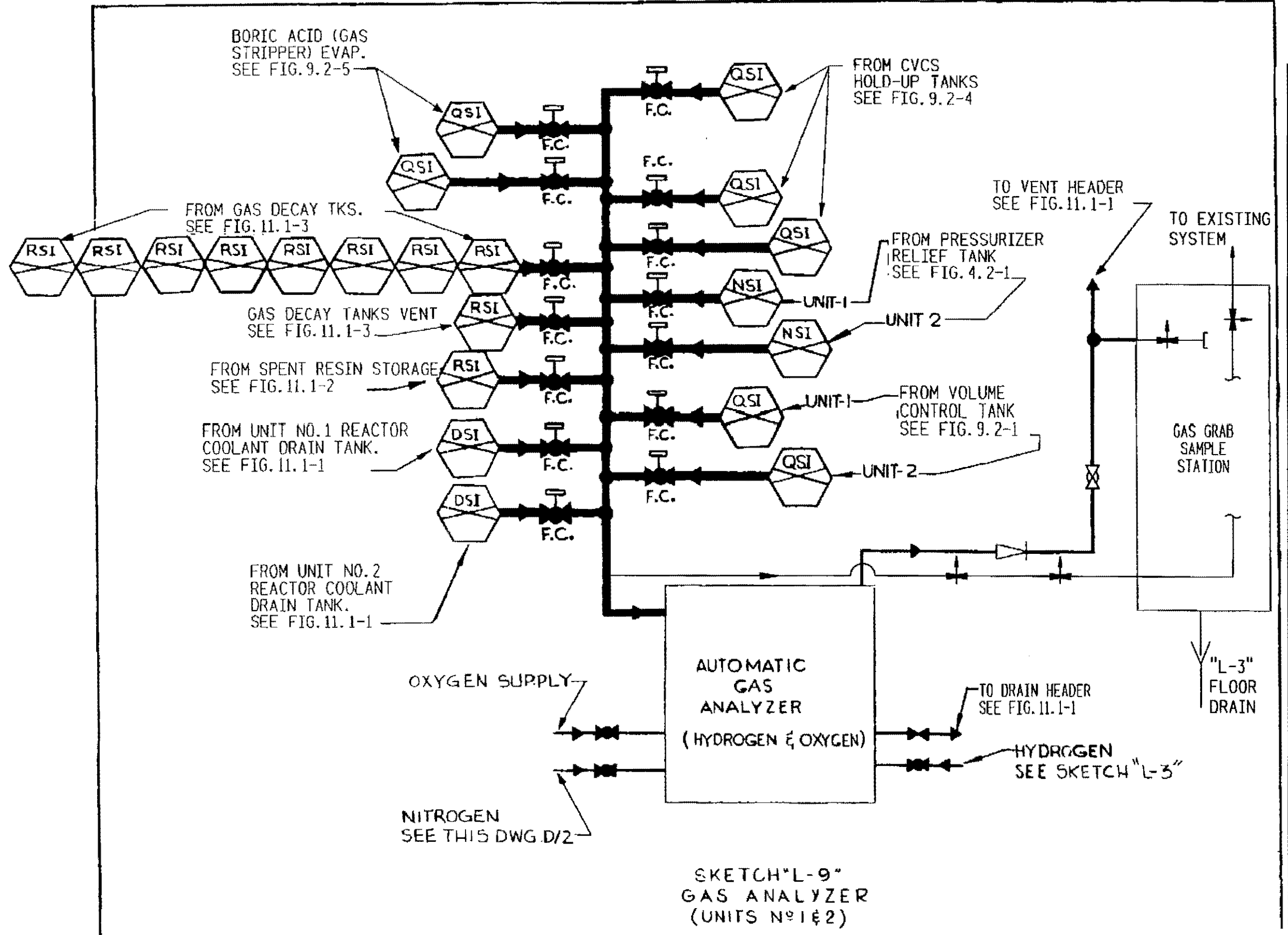


NOTE:
SYSTEM SHOWN FOR THE PLANT IN
NORMAL FULL POWER OPERATION.
VALVE POSITIONS ARE NOT GOVERNED BY
THE FSAR FIGURES BUT RATHER BY
STATION PROCEDURES (EXCEPT VALVES
WITH LOCKED OR SEALED, AND FAILURE
POSITIONS AS INDICATED).

REFERENCES:
OP-1(2)-5141



24.0	REVISED PER UCR-1989		
DATE	NO.	DESCRIPTION	APPROV.
REVISIONS			
FILENAME: fsar-fig-11.1-4 24.dgn (master file): fsar-fig-11.1-4 24.dgn			
THIS DRAWING IS THE PROPERTY OF THE AMERICAN ELECTRIC POWER SERVICE CORP. AND IS LOANED UPON CONDITION THAT IT IS NOT TO BE REPRODUCED OR COPIED, IN WHOLE OR IN PART, OR USED FOR FURNISHING INFORMATION TO ANY PERSON WITHOUT THE WRITTEN CONSENT OF THE AEP SERVICE CORP., OR FOR ANY PURPOSE DETRIMENTAL TO THEIR INTEREST, AND IS TO BE RETURNED UPON REQUEST.			
INDIANA MICHIGAN POWER COMPANY			
DONALD C. COOK			
NUCLEAR PLANT			
DRDGMAN		MICHI	
GAS SUPPLY AND ANALYSIS UNITS NO. 1 & 2			
DWG. NO. FSAR FIG. 11.1-4			
ARCH	ELEC	MECH	STR
SCALE:		DR:	
DATE:		CR:	
DESIGN ENGINEERING DIVISION			
AEP AMERICAN ELECTRIC POWER		AEP SERVICE CORP. 1 RIVERSIDE PLAZA COLUMBUS, OH 43215	