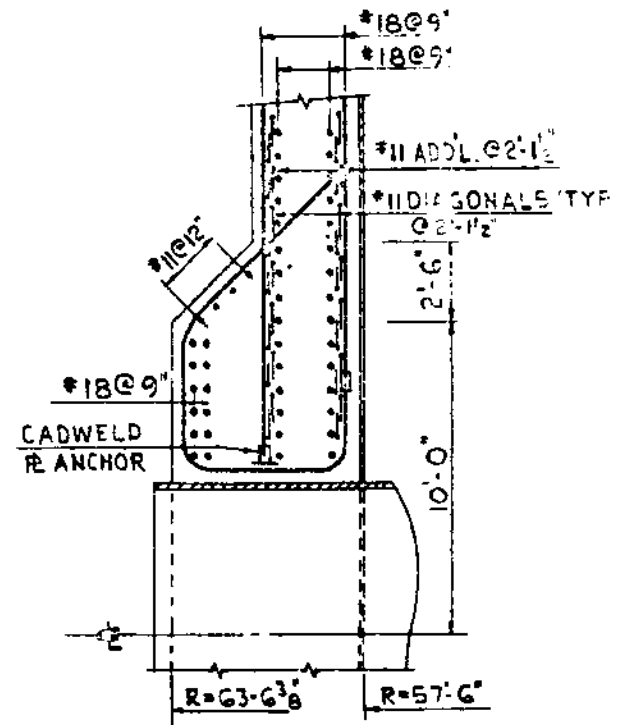
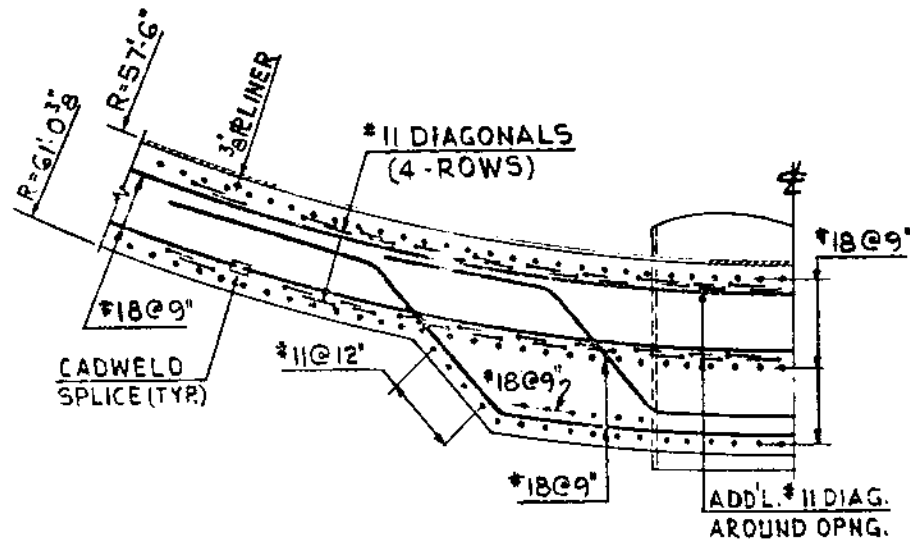


ELEVATION OF PERSONNEL
ACCESS OPENING



SECTION A-A



SECTION B-B

Fig. 5.2.2-65A
CONTAINMENT BUILDING
PERSONNEL ACCESS OPENING

D.C. COOK NUCLEAR POWER PLANT
BRIDGMAN MICHIGAN

JULY 1982