

COOL NUCLEAR PLANT

SUPE 17A - CONCRETE THERMAL (NORMAL & ACCIDENT)
Q12 & Q13 (K/IN.)

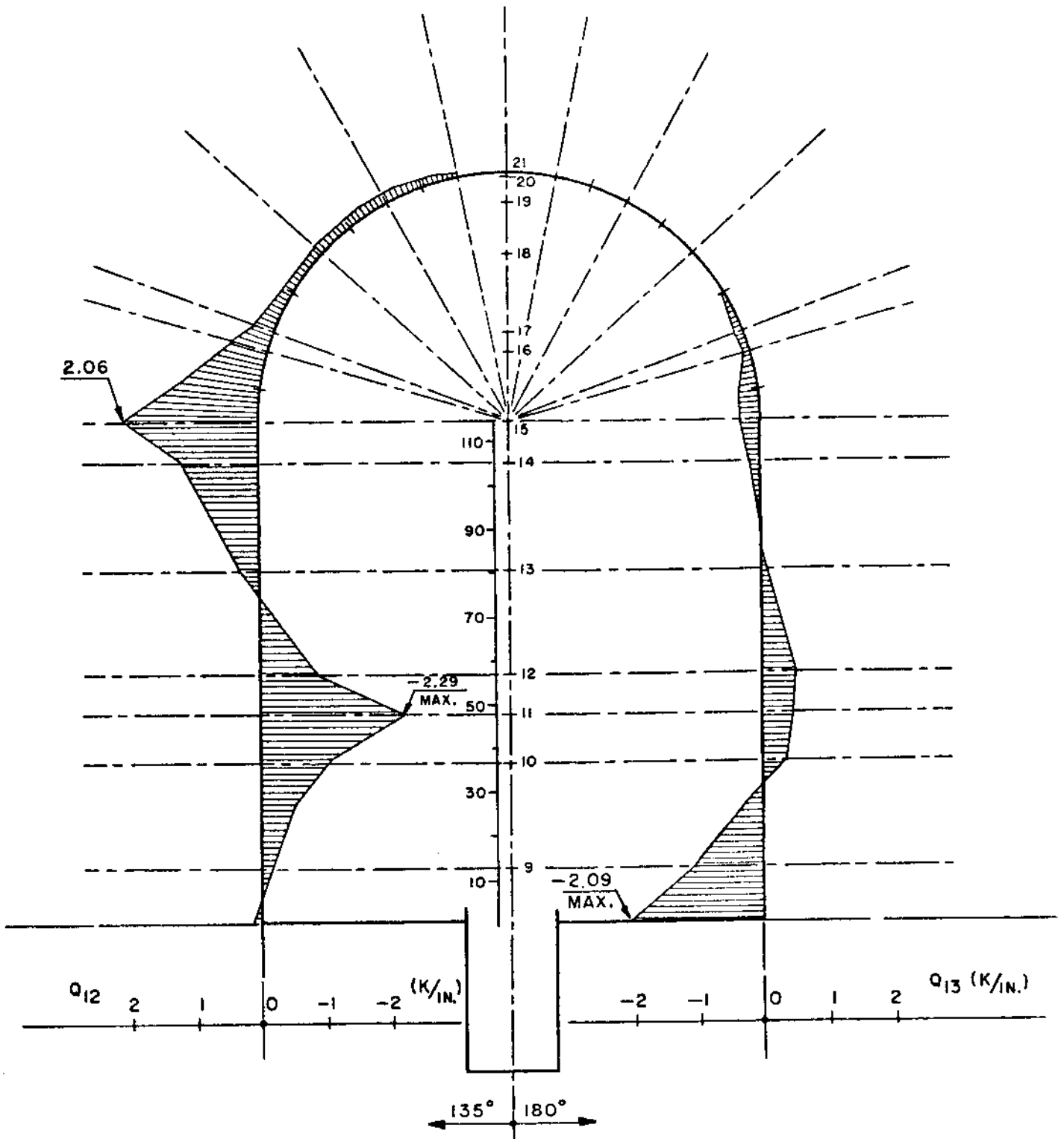


Fig. 5.2.2-43

July 1982