

COOK NUCLEAR PLANT

SUPE 17A - LINER THERMAL ACCIDENT
W (DEFLECTION) INCHES

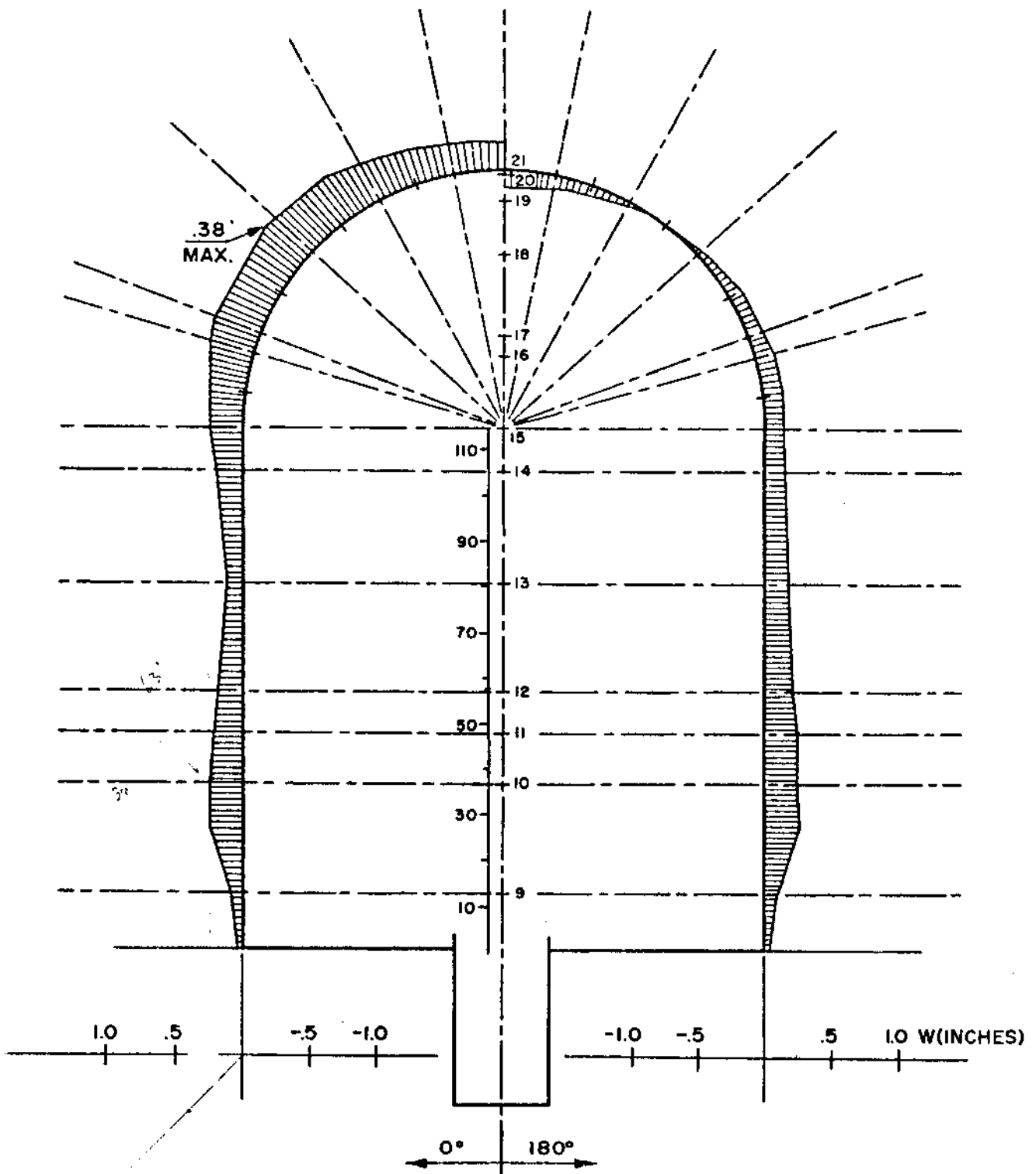


FIG. 5.2.2-35

July 1982