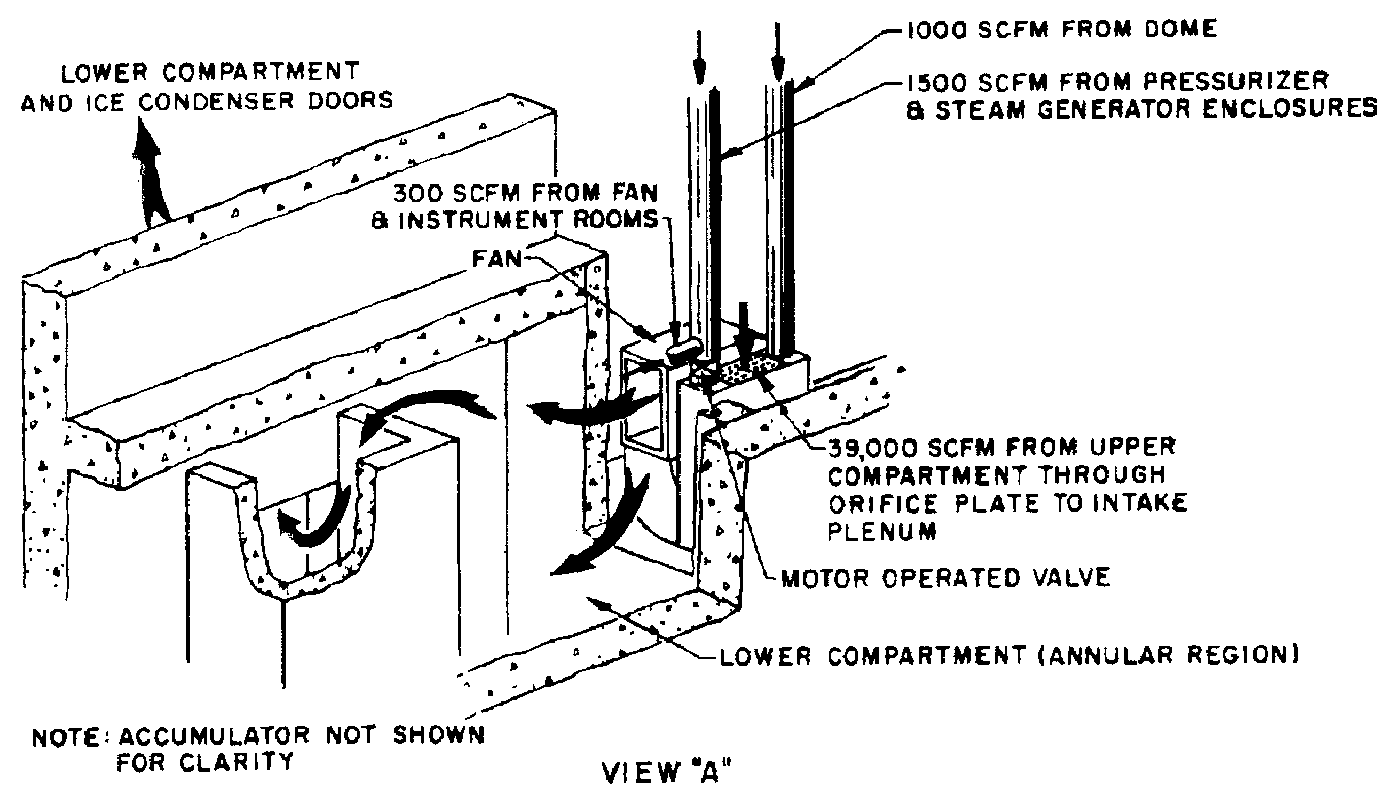
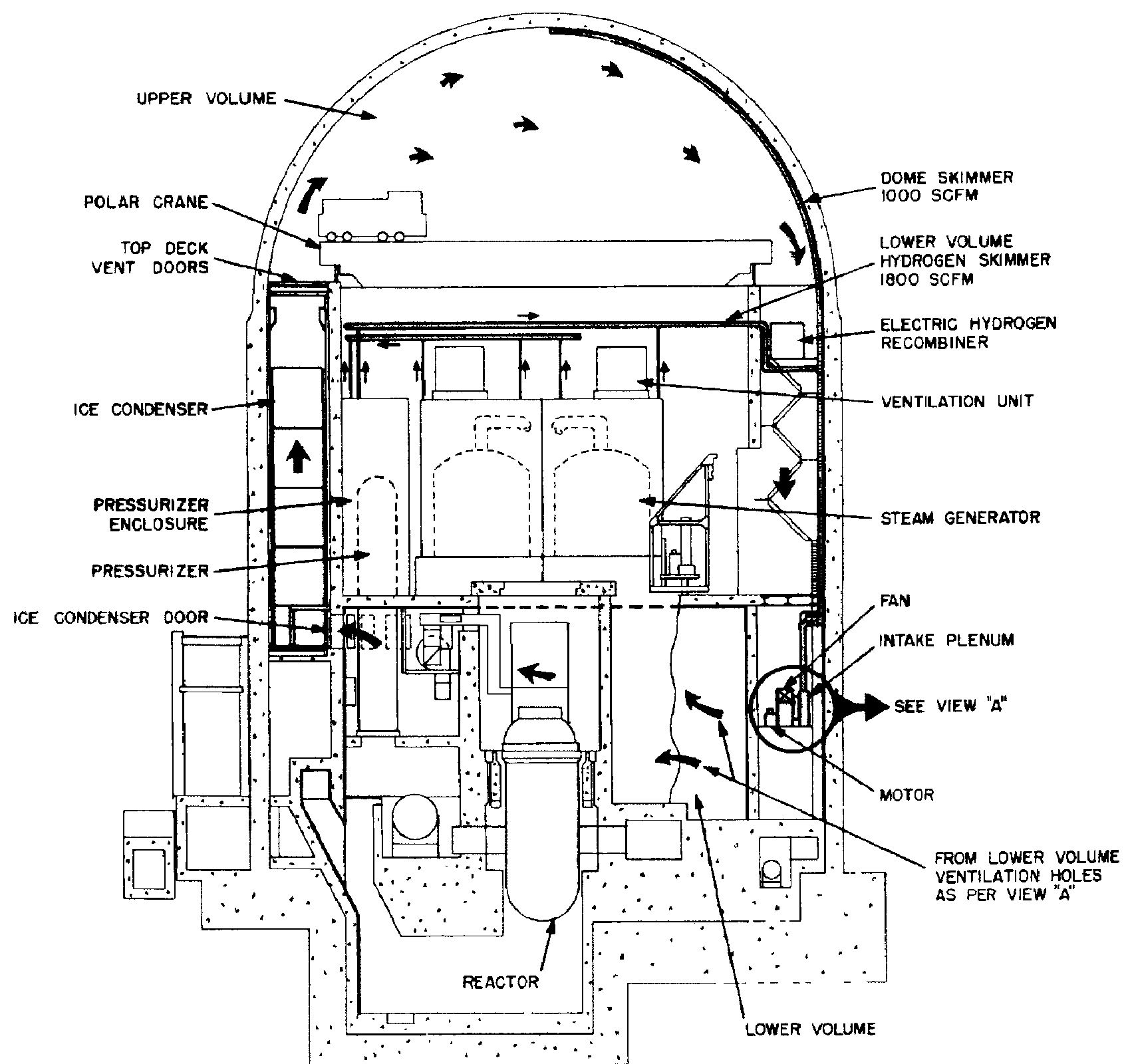


DWG. NO. FSAR FIG. 5.5-3



NOTE: ACCUMULATOR NOT SHOWN FOR CLARITY

VIEW "A"

NOTES:
1. REVISED PER 2-MOD-55002.

21.2

21.2

DATE	DESCRIPTION	APPRO.
21.2	REVISED PER UCR-1837, REV. 0.	
REVISIONS		
FILENAME: fsar-fig-5.5-3 21-2.dgn (raster file): fsar-fig-5.5-3 21-2.tif		
THIS DRAWING IS THE PROPERTY OF THE AMERICAN ELECTRIC POWER SERVICE CORP. AND IS LOANED UPON CONDITION THAT IT IS NOT TO BE REPRODUCED OR COPIED, IN WHOLE OR IN PART, OR USED FOR FURNISHING INFORMATION TO ANY PERSON WITHOUT THE WRITTEN CONSENT OF THE AEP SERVICE CORP., OR FOR ANY PURPOSE DETRIMENTAL TO THEIR INTEREST, AND IS TO BE RETURNED UPON REQUEST.		
INDIANA MICHIGAN POWER COMPANY NUCLEAR PLANT		
DONALD C. COOK BRIDGMAN MICHIGAN		
FLOW PATH OF THE CONTAINMENT AIR RECIRCULATION / HYDROGEN SKIMMER SYSTEM UNIT NO. 1 OR 2		
DWG. NO. FSAR FIG. 5.5-3		
ARCH	ELEC	MECH STR
SCALE:	DR:	
DATE:	CR:	
DESIGN ENGINEERING DIVISION		
AEP AMERICAN ELECTRIC POWER		AEP SERVICE CORP. 1 RIVERSIDE PLAZA COLUMBUS, OH 43215