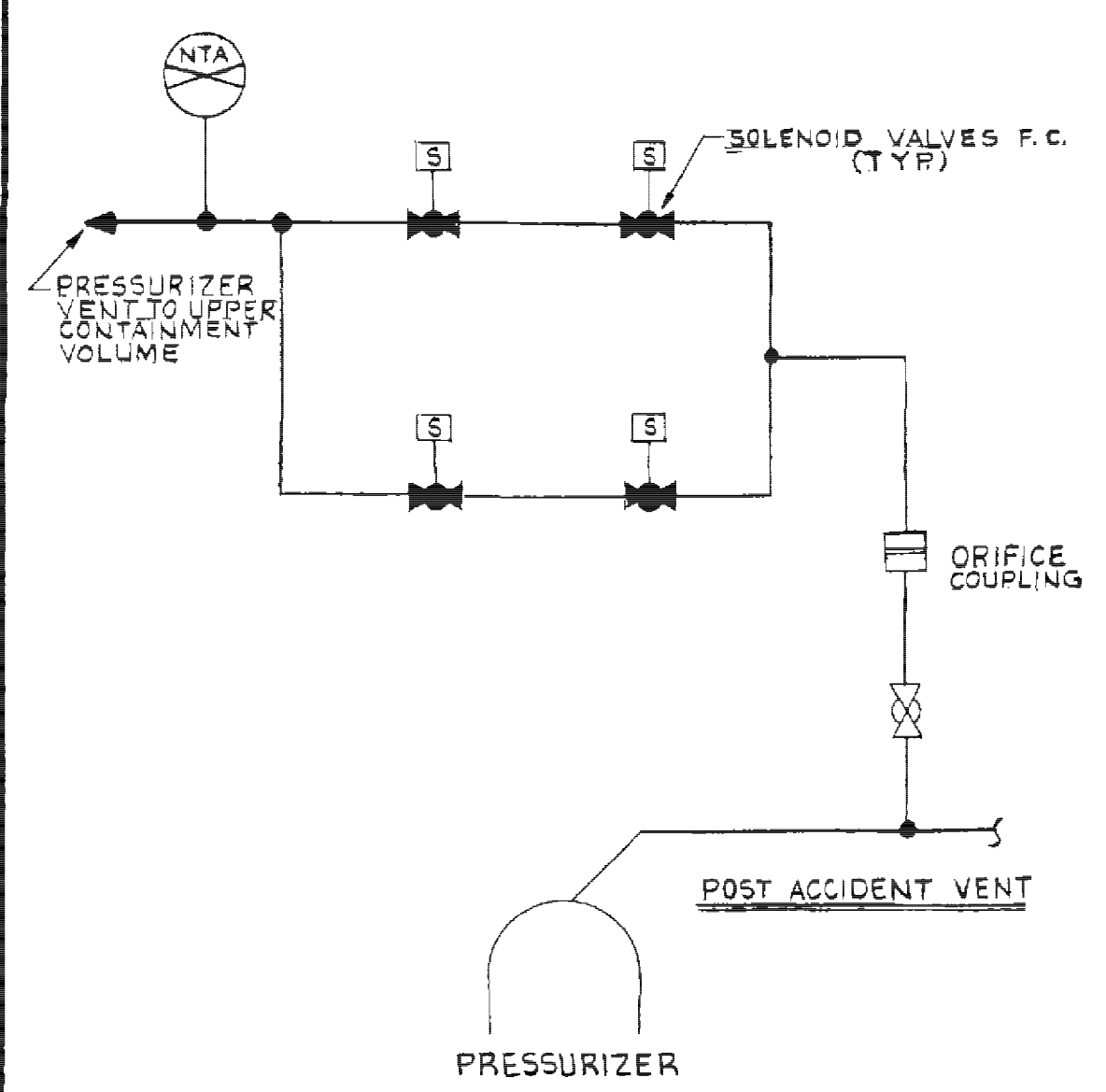
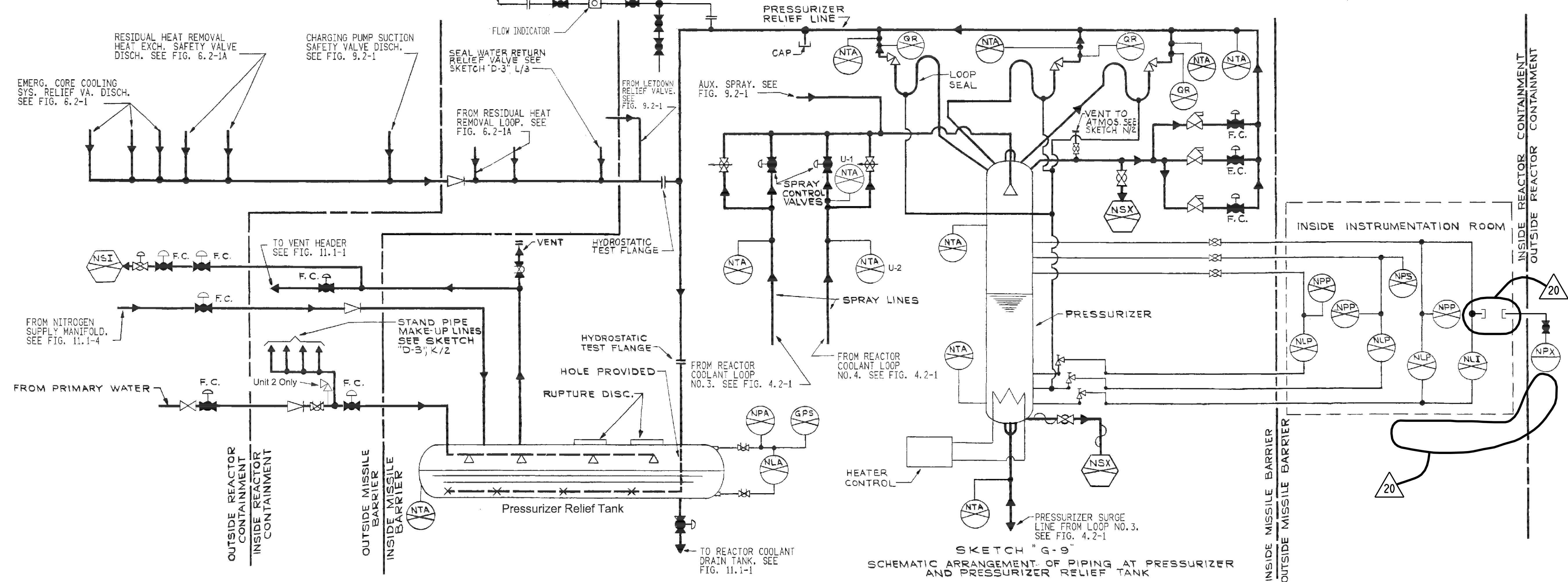


SKETCH "D-3"  
SCHEMATIC ARRANGEMENT OF REACTOR  
COOLANT PUMP SEAL WATER SYSTEM



REFERENCES:  
OP-1 (2)-5128A



SKETCH "G-9"  
SCHEMATIC ARRANGEMENT OF PIPING AT PRESSURIZER  
AND PRESSURIZER RELIEF TANK

NOTE  
SYSTEM LINEUP SHOWN FOR NORMAL  
OPERATION.  
VALVE POSITIONS ARE NOT  
GOVERNED BY THE UFSAR  
FIGURES BUT RATHER BY STATION  
PROCEDURES (EXCEPT VALVES  
WITH LOCKED OR SEALED, AND  
FAILURE POSITIONS AS  
INDICATED).

20	REVISED PER UCR-1712.
----	-----------------------

DATE	NO.	DESCRIPTION	APPRO.
<b>REVISIONS</b>			
FILENAME: fsar-fig-4-2-1a 20.dgn (raster file): fsar-fig-4-2-1a 20.tif			
THIS DRAWING IS THE PROPERTY OF THE AMERICAN ELECTRIC POWER SERVICE CORP. AND IS LOANED UPON CONDITION THAT IT IS NOT TO BE REPRODUCED OR COPIED, IN WHOLE OR IN PART, OR USED FOR FURNISHING INFORMATION TO ANY PERSON WITHOUT THE WRITTEN CONSENT OF THE AEP SERVICE CORP., OR FOR ANY PURPOSE DETRIMENTAL TO THEIR INTEREST, AND IS TO BE RETURNED UPON REQUEST.			
<b>INDIANA MICHIGAN POWER COMPANY</b>			
<b>DONALD C. COOK</b>			
NUCLEAR PLANT			
BRIDGMAN		MICHIGAN	
REACTOR COOLANT UNIT NO. 1 OR 2 SHEET 2 OF 2			
DWG. NO. FSAR FIG. 4.2-1A			
ARCH	ELEC	MECH	STR
SCALE:	DATE:	DESIGN ENGINEERING DIVISION	
AEP AMERICAN ELECTRIC POWER		AEP SERVICE CORP. 1 RIVERSIDE PLAZA COLUMBUS, OH 43215	