

**TVA**

**Office of Nuclear Power**

**PROJECT:** WBN

**SYSTEM:** SG

**REPORT NO.:**

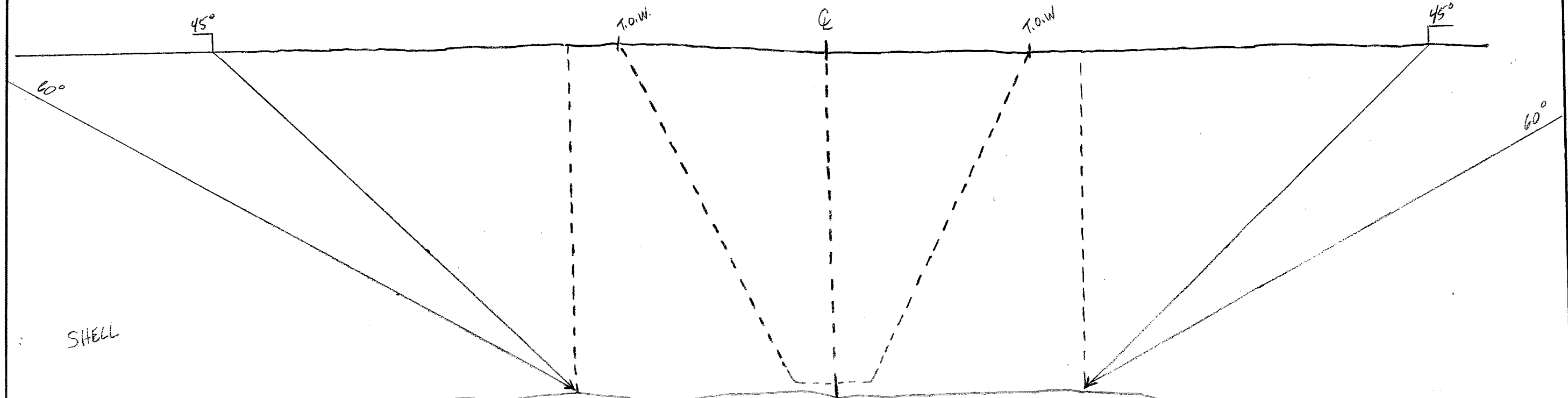
**UNIT:** 2

**WELD NO:** SG-2-3-2

R.P2455

3.422 | 3.417 | 3.389 | 3.386 | 3.420 | 3.412 | 3.304 | 3.295 | 3.308 | 3.306 | 3.310 | 3.312 | 3.309 | 3.307 | 3.314

4.0"



REQUIRED COVE COVERAGE  
 $W \times H \times L = \text{CU IN}$   
 $5.0" \times 3.348" \times 426.5" = 7139.61 \text{ in}^3$

TOTAL EXAM COVERAGE (ACHIEVED)  
 $\left[ 1 - \frac{(\text{LIMITATION} / \text{REQUIRED})}{100} \right] \times 100 = \%$   
 $\left[ 1 - \frac{(803.62 / 7139.61)}{100} \right] \times 100 = 88.75 \%$

Handwritten signature and date: 11/17/2008

TVA

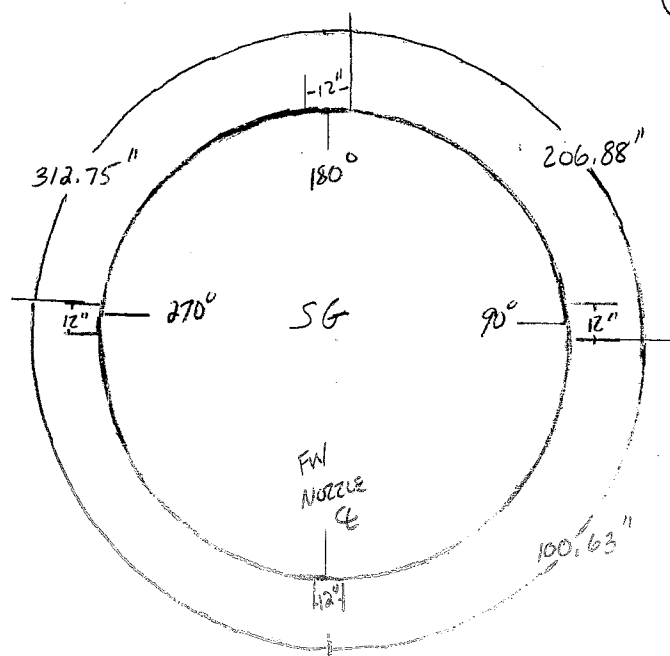
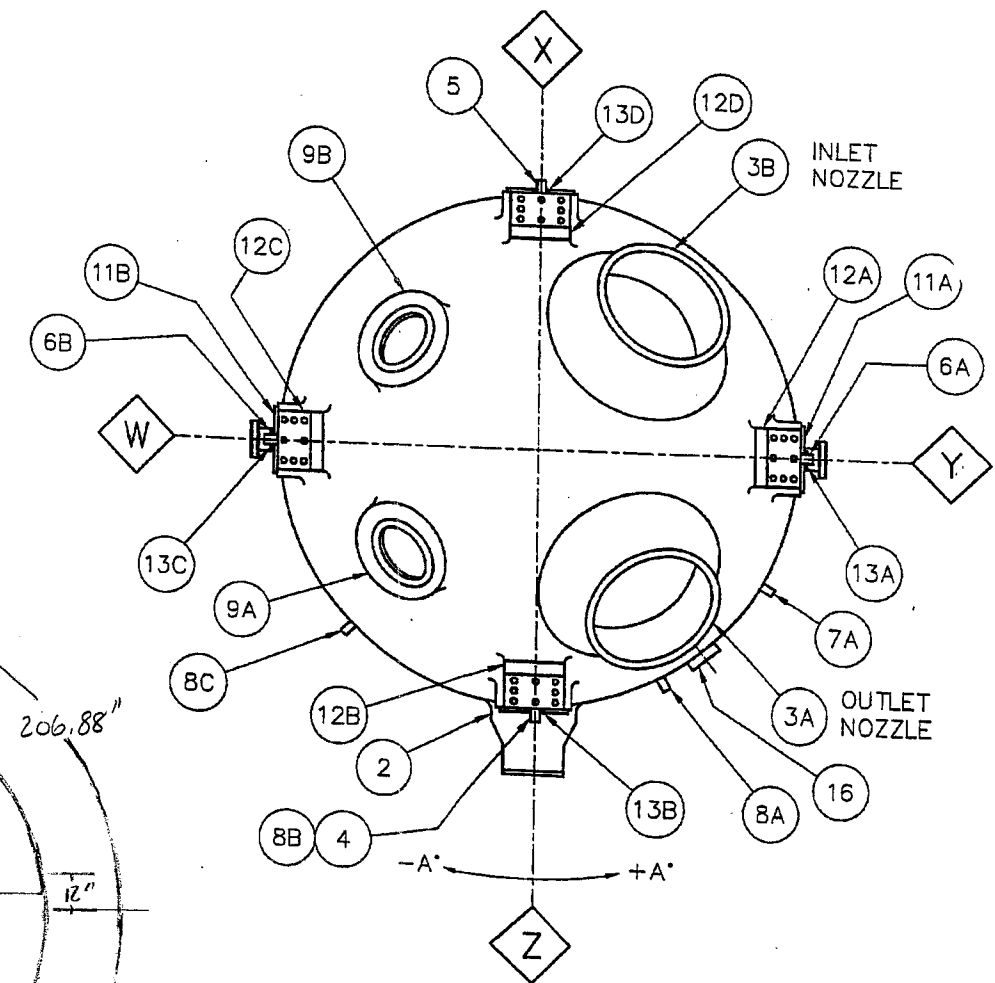
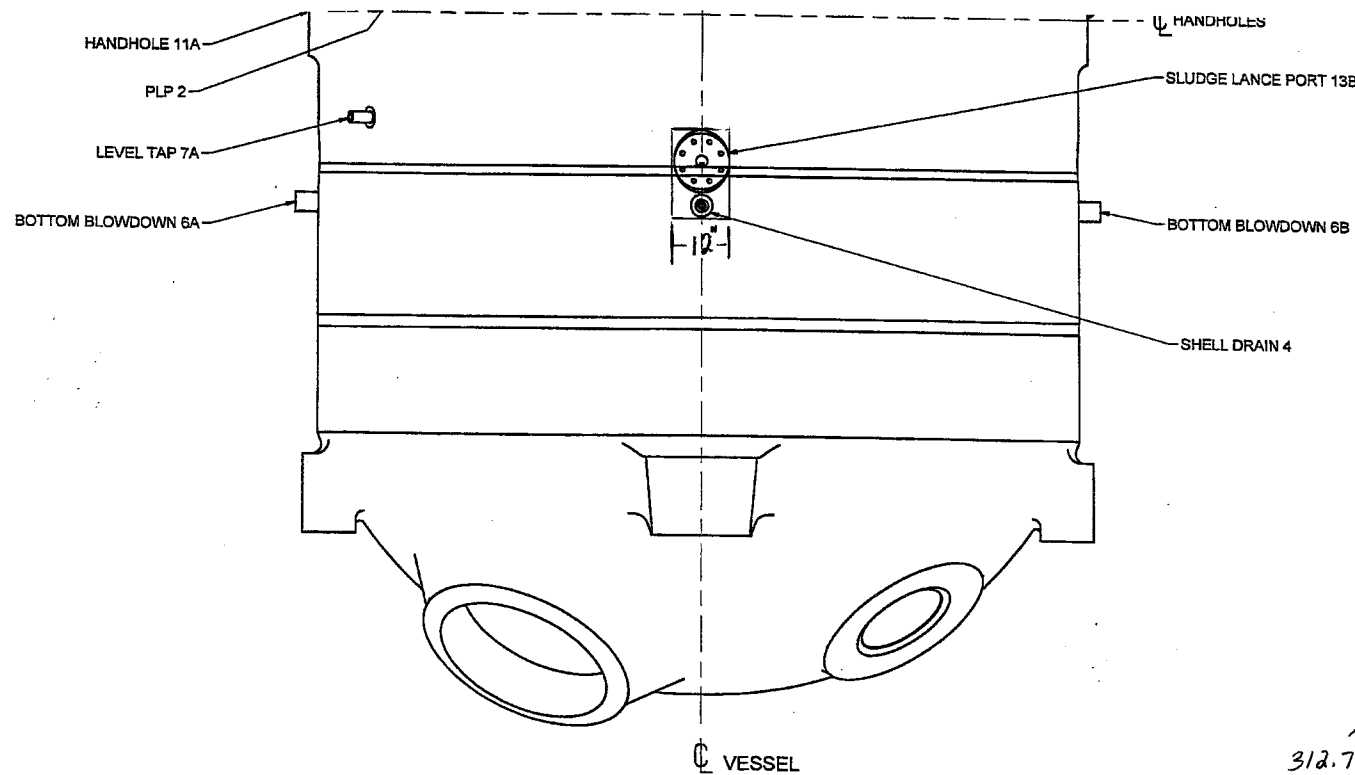
Office of Nuclear Power

PROJECT: WBN SYSTEM: SG

REPORT NO.:

UNIT: U2 WELD NO: SG-2-3-2

R-P 2455



BOTTOM VIEW (STEAM DRUM NOT SHOWN)

LIMITATIONS DUE TO SLUDGE LANCE PORTS, BOTTOM BLOWDOWNS, AND SHELL DRAIN

$$W \times H \times L = \text{CU IN}^3$$

$$5.0" \times 3.348" \times 12" = 200.88 \times 4 = 803.52 \text{ in}^3$$

LEVEL TAP 7A WITHIN SCAN AREA; HOWEVER COVERAGE ACHIEVED BY SCREWING ±20 DEGREE.