

TVA

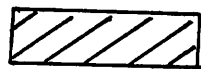
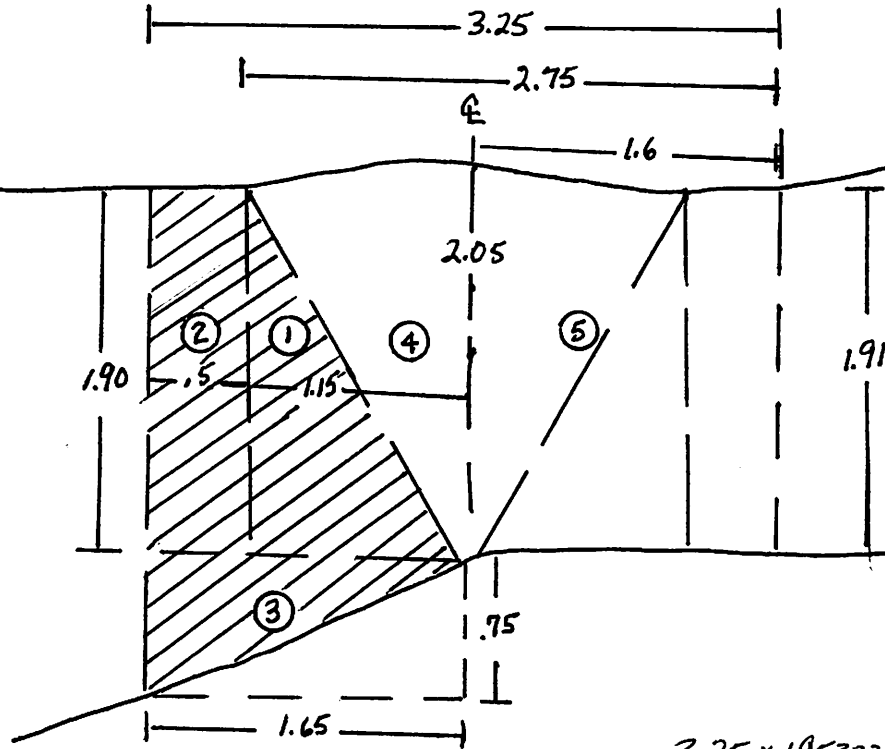
Office of Nuclear Power

PROJECT: WBN SYSTEM: SIS (063)

UNIT: 2 WELD NO: BIT-3

REPORT NO.:

R-P2184



No coverage

$$3.25 \times 1.95333 \times 162 = 1028.43$$

$$1.65 \times 0.75 \div 2 = .61875 + 1028.43 = 1128.6675 \text{ EX. VOLUME}$$

$$\textcircled{4} 1.15 \times 1.975 \div 2 = 1.135625$$

$$\textcircled{5} 1.6 \times 1.98 = 3.168 + 1.135625 = 4.303625 \times 162 = 697.18725$$

$$697.18725 \div 1128.6675 = .6177 \times 100 = 61.7\%$$

ANIE Joe C. HAIR Joe C. Hair 5/22/15

TVA

Office of Nuclear Power

PROJECT: WBN

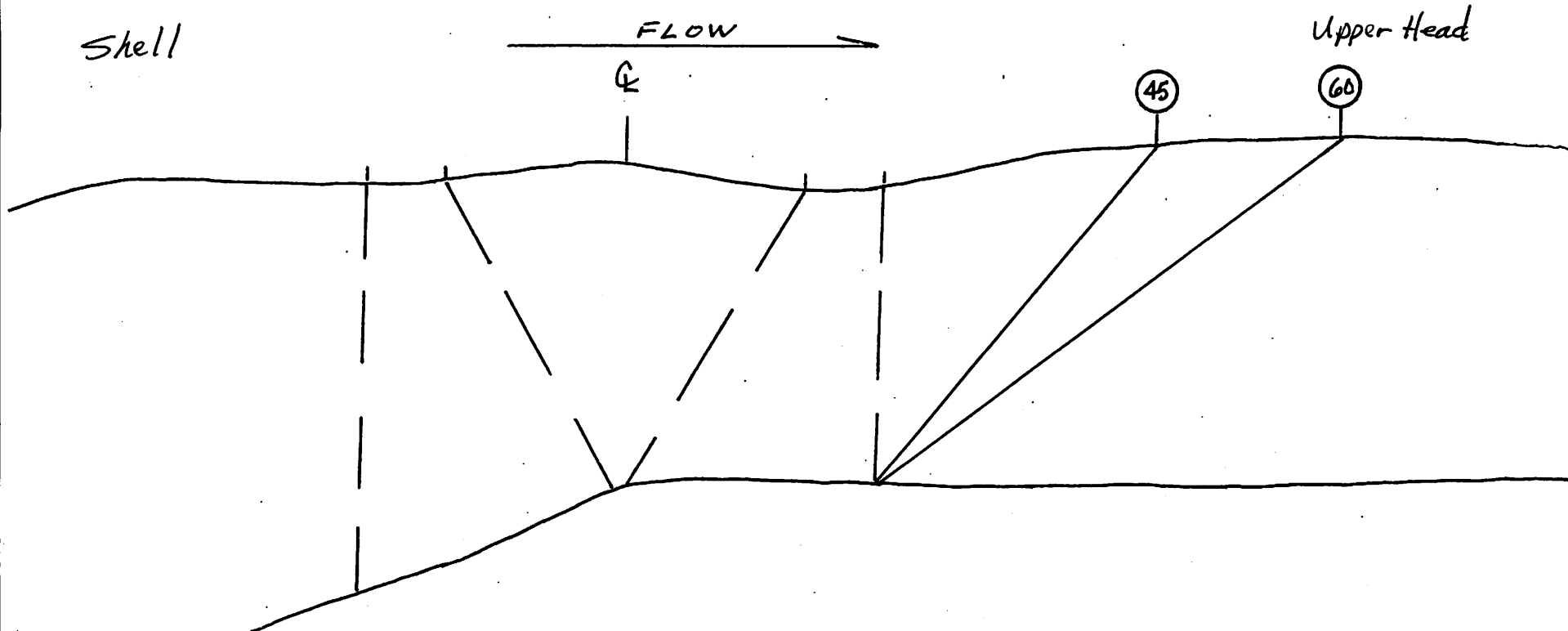
SYSTEM: SIS (063)

REPORT NO.:

R-P2184

UNIT: 2

WELD NO: BIT-3



ANDY JOE C. HARR for C. Harr 05/22/2015

BY:

Paul [Signature]

LEVEL: II

DATE: 06-10-14

PAGE 9

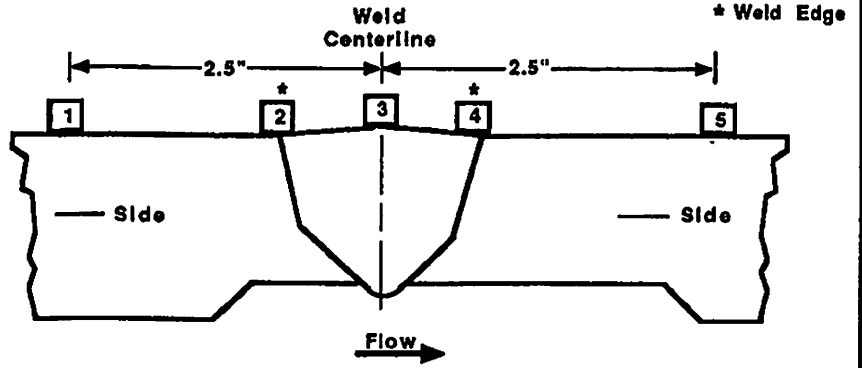
OF 10

<h1>TVA</h1>	<h2>WALL THICKNESS PROFILE SHEET</h2>	REPORT NO: <i>R-P2184</i>
--------------	---------------------------------------	------------------------------

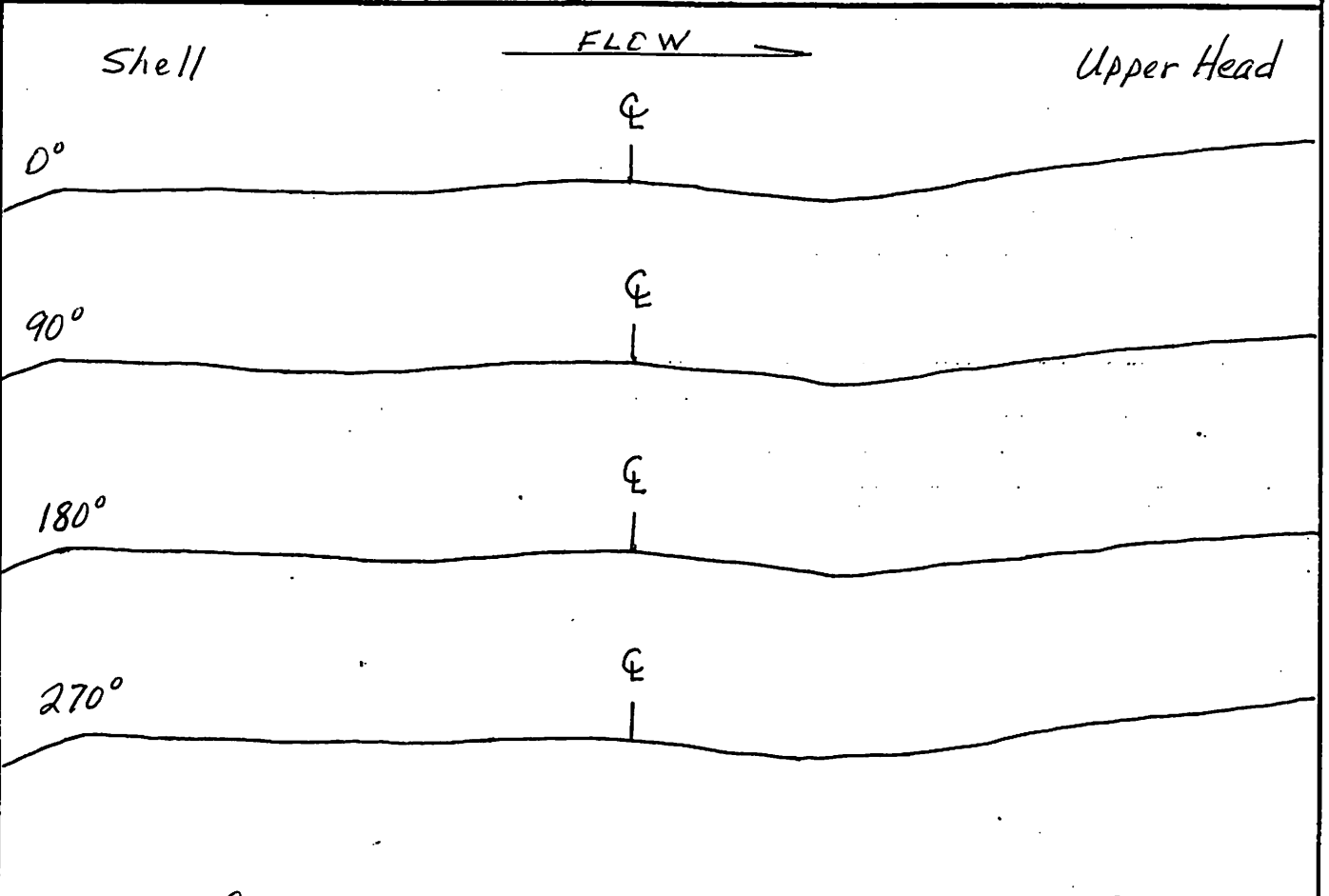
PROJECT: <u>WBN</u>	WELD NO: <u>BIT-3</u>
UNIT: <u>2</u>	SYSTEM: <u>SIS (063)</u>

Record Thickness Measurements As Indicated, Including Weld Width, Edge-To-Edge At 0°

Position	0°	90°	180°	270°
1	3.0	3.06	3.0	3.04
2	2.4	2.5	2.5	2.4
3	2.01	2.01	2.0	2.0
4	1.90	1.88	1.90	1.90
5	2.14	2.10	2.09	2.06



CROWN HEIGHT: <u>FLUSH</u>	DIAMETER: <u>52"</u>
CROWN WIDTH: <u>2.25"</u>	WELD LENGTH: <u>162"</u>



EXAMINER: <u><i>[Signature]</i></u>	REVIEWED BY: <u><i>MATT WELCH</i></u>	ANII: <u><i>JOE C. HAIR</i></u>
LEVEL: <u><i>II</i></u>	LEVEL: <u><i>III</i></u>	DATE: <u><i>05/22/2015</i></u>
DATE: <u><i>06-10-14</i></u>	DATE: <u><i>8/12/14</i></u>	PAGE <u><i>10</i></u> OF <u><i>10</i></u>