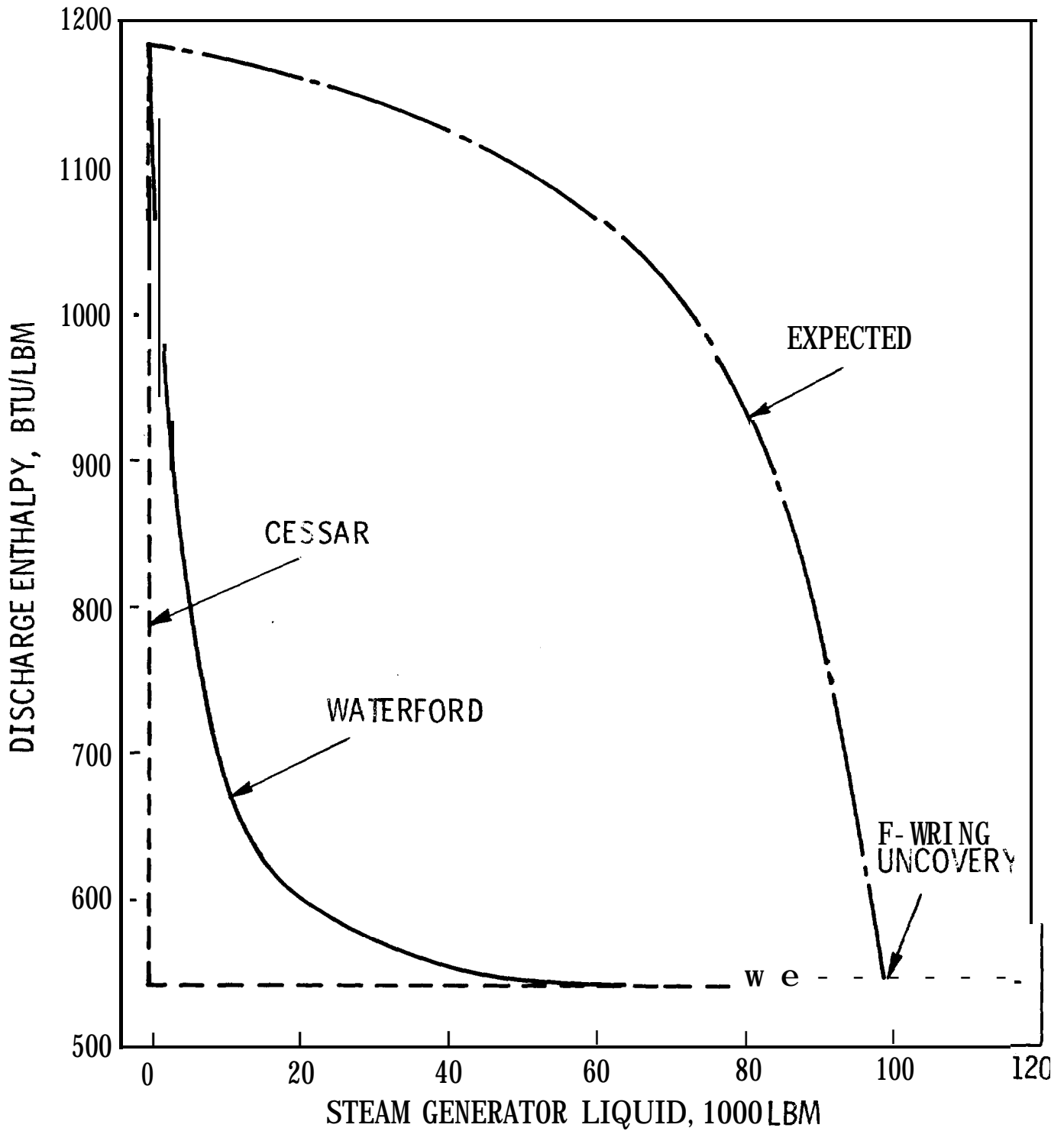


LOUISIANA
POWER & LIGHT CO.
Waterford Steam
Electric Station

STEAM GENERATOR
HEAT TRANSFER CHARACTERISTICS

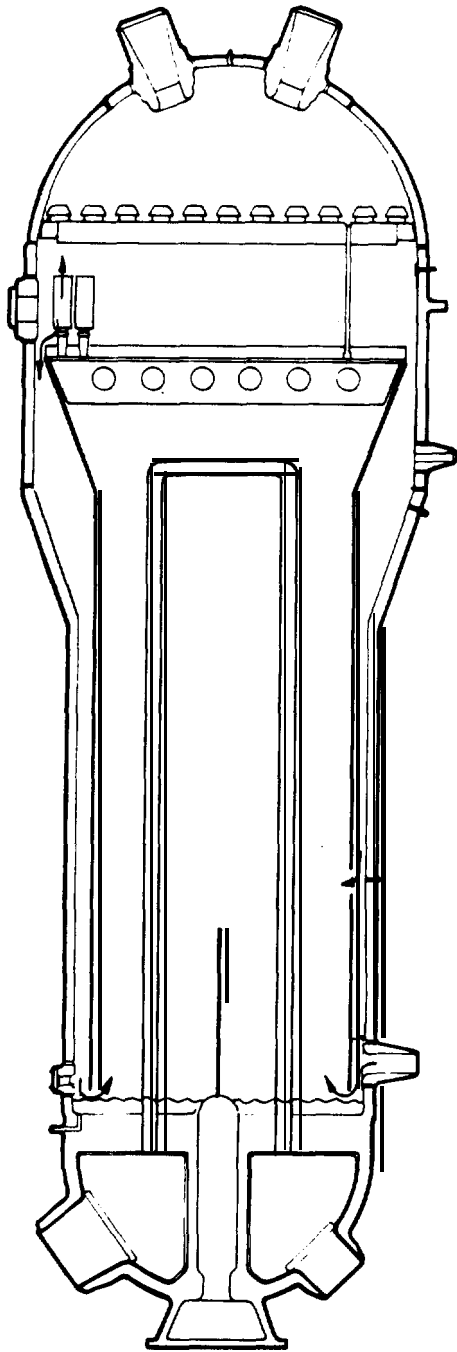
Figure
15A.2.1



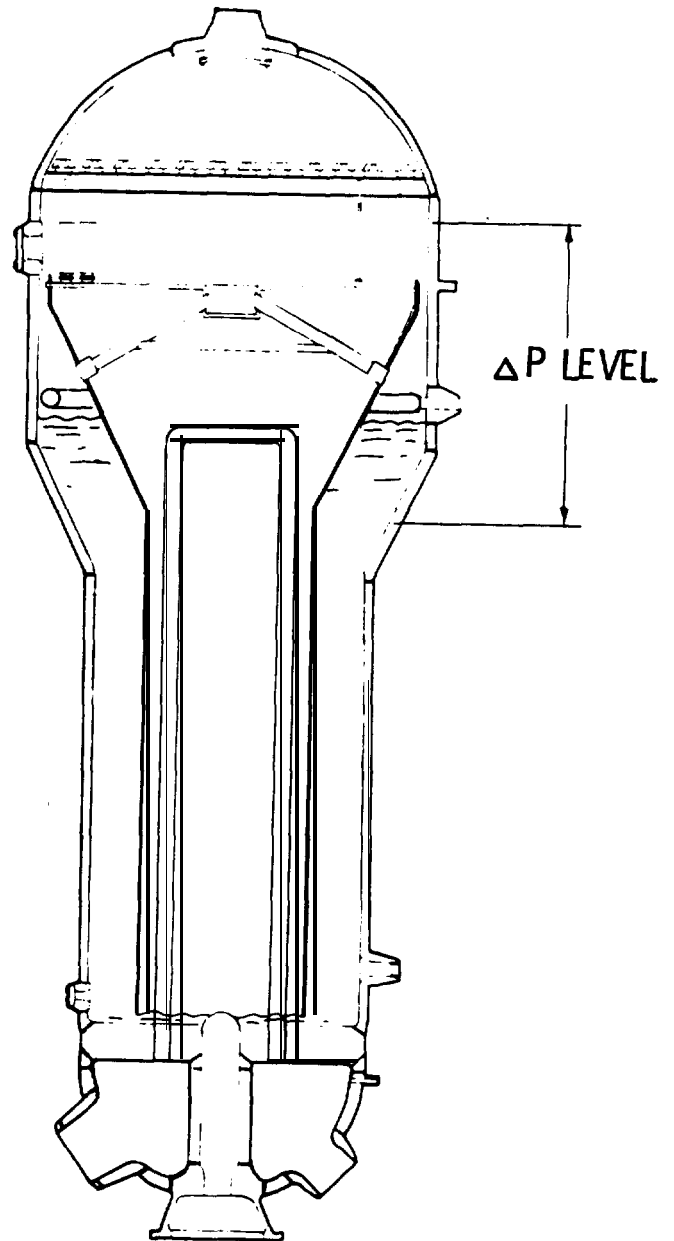
LOUISIANA
POWER & LIGHT CO.
Waterford Steam
Electric Station

DISCHARGE ENTHALPY vs STEAM GENERATOR
LIQUID INVENTORY

Figure
15A.2-2



SYSTEM 80

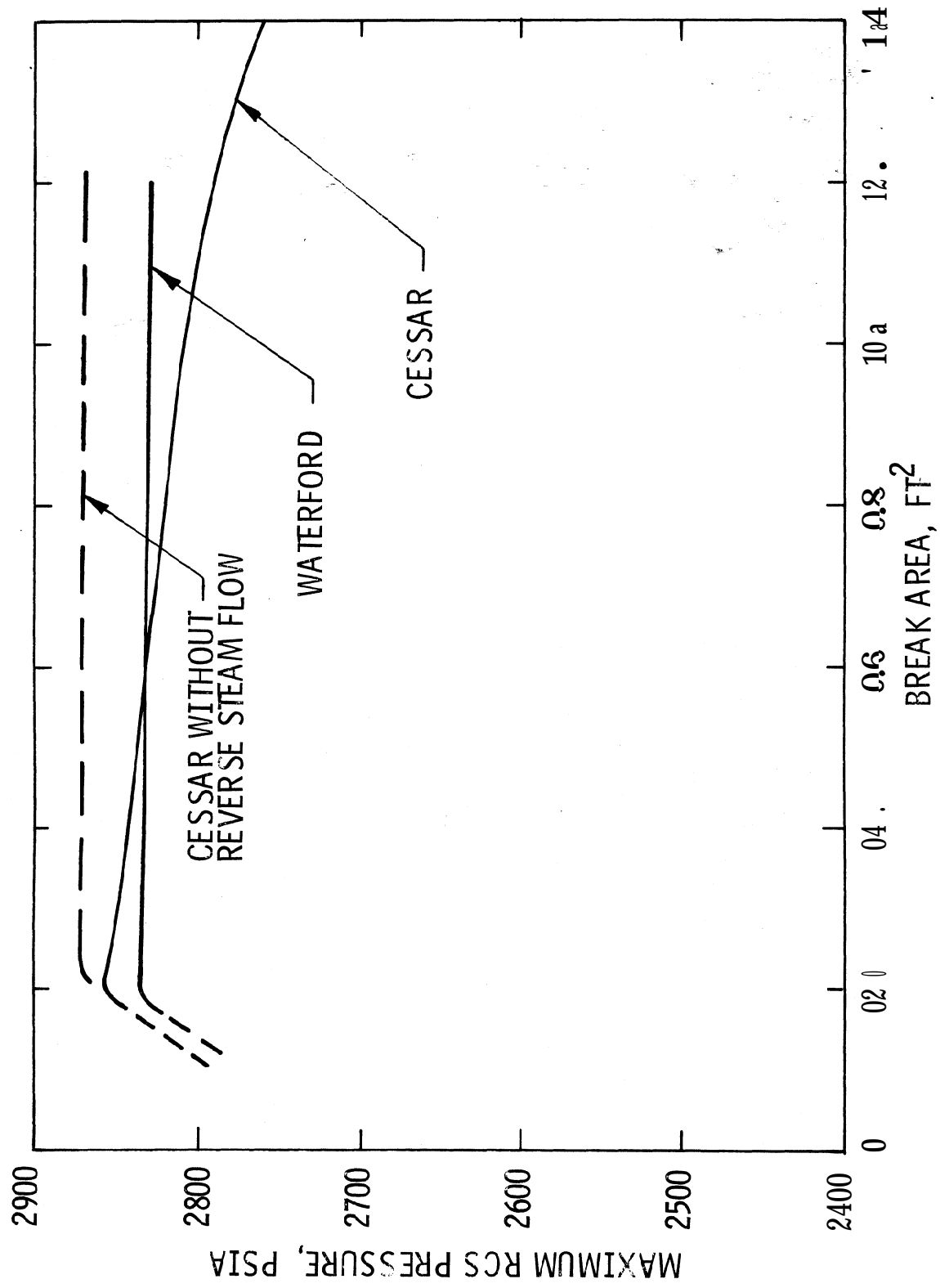


WATERFORD 3

LOUISIANA
POWER & LIGHT CO.
Waterford Steam
Electric Station

STEAM GENERATORS

Figure
15A.2-3



LOUISIANA
POWER & LIGHT CO.
Waterford Steam
Electric Station

MAXIMUM RCS PRESSURE vs BREAK AREA

Figure
15A.2-4