

FIGURE 7.5A-1
HAS BEEN INTENTIONALLY
DELETED

REVISION 8 (5/96)

WATERFORD STEAM
ELECTRIC STATION #3

COMPUTER SYSTEM BLOCK DIAGRAM

FIGURE 7.5A-1

FIGURE 7.5A-2
HAS BEEN INTENTIONALLY
DELETED

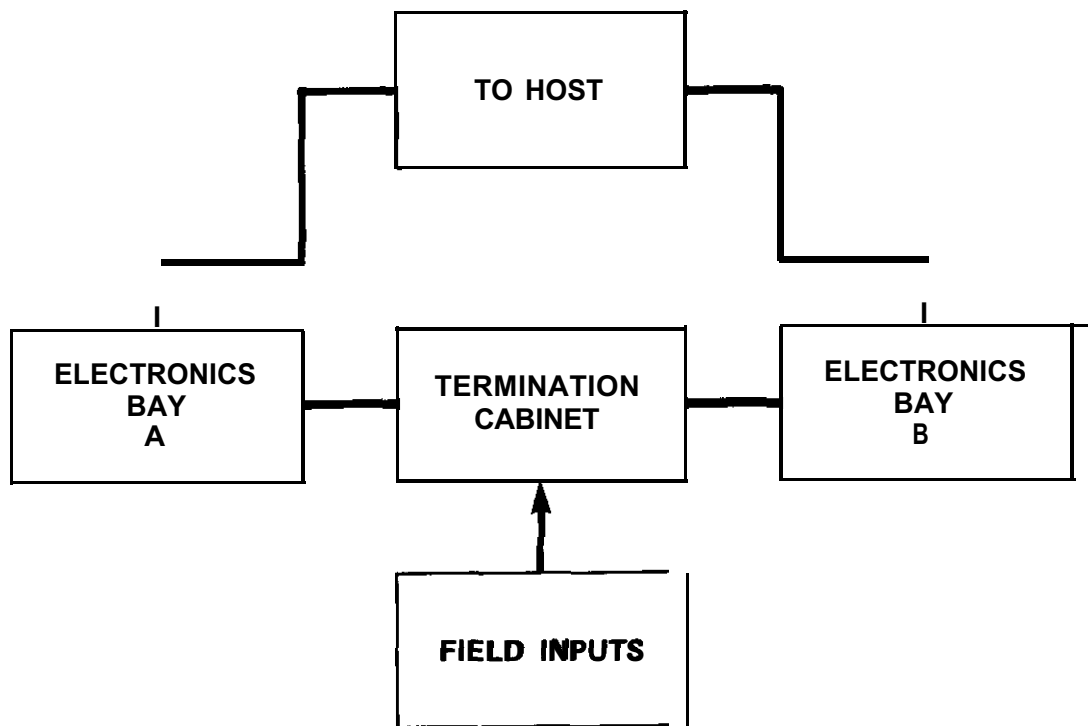
REVISION 8 (5/96)

WATERFORD STEAM
ELECTRIC STATION*3

LAYOUT OF COMPUTER
ROOM

FIGURE 7.5A-2

REF. DWG. G-134 (REV28)



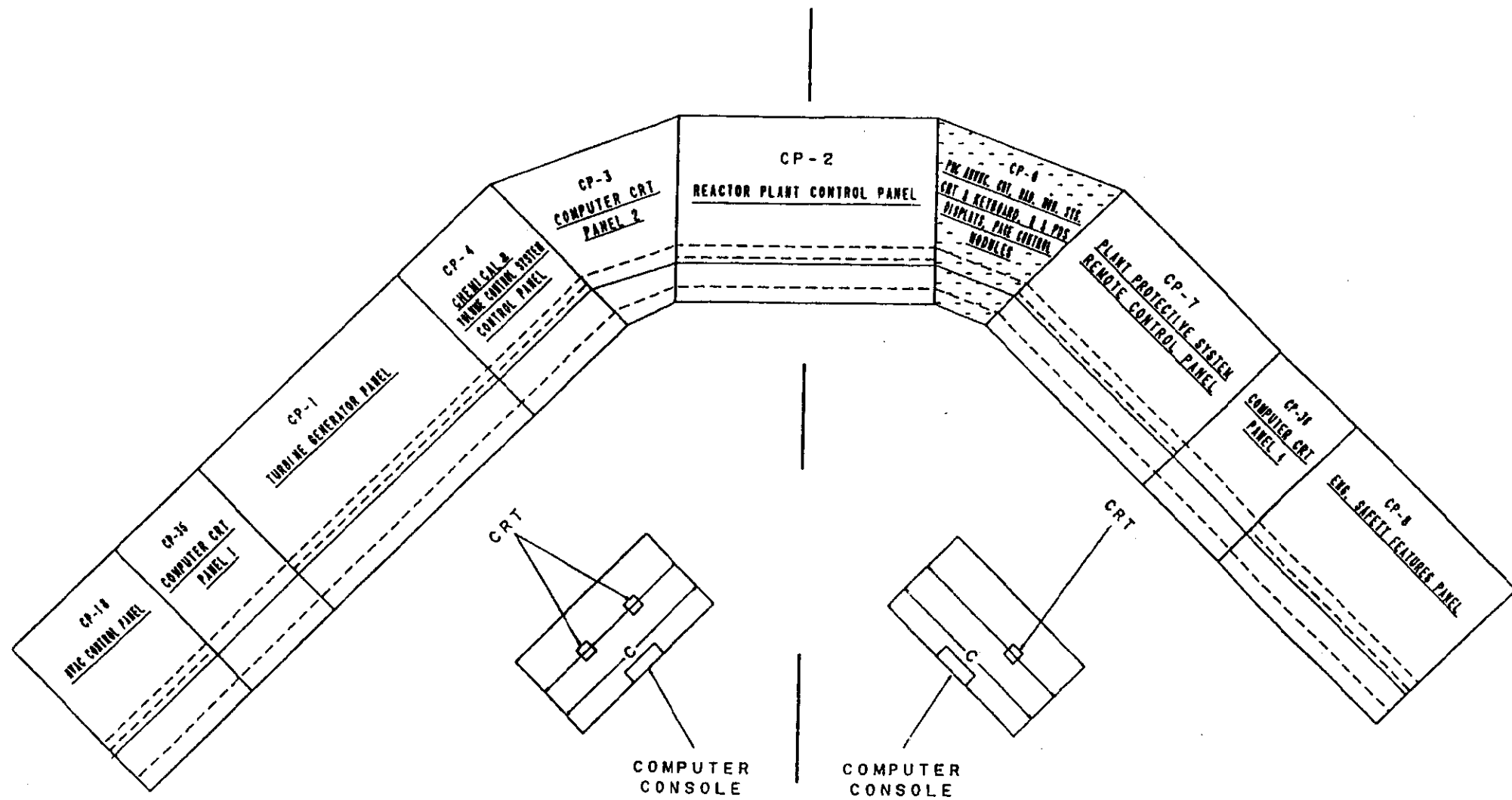
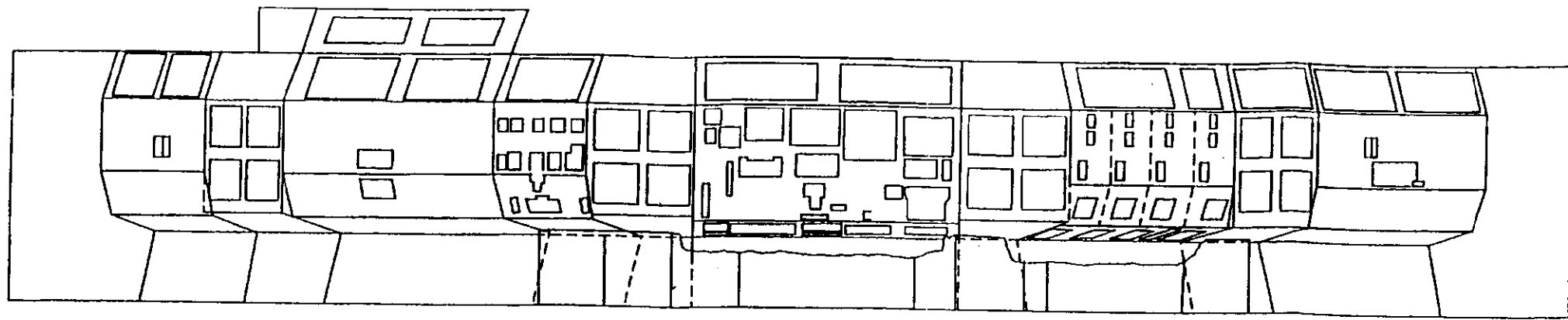
**FIGURE 7.5A-4
HAS BEEN INTENTIONALLY
DELETED**

REVISION 8 (5/96)

**Waterford Steam
Electric Station •3**

REMOTE SITE ELECTRONICS BAY

**Figure
7.5A-4**



REVISION 8 (5/96)

WATERFORD STEAM
ELECTRIC STATION #3

LOCATION OF CRT DISPLAYS
ON THE MAIN CONTROL BOARD

FIGURE 7.5A-5