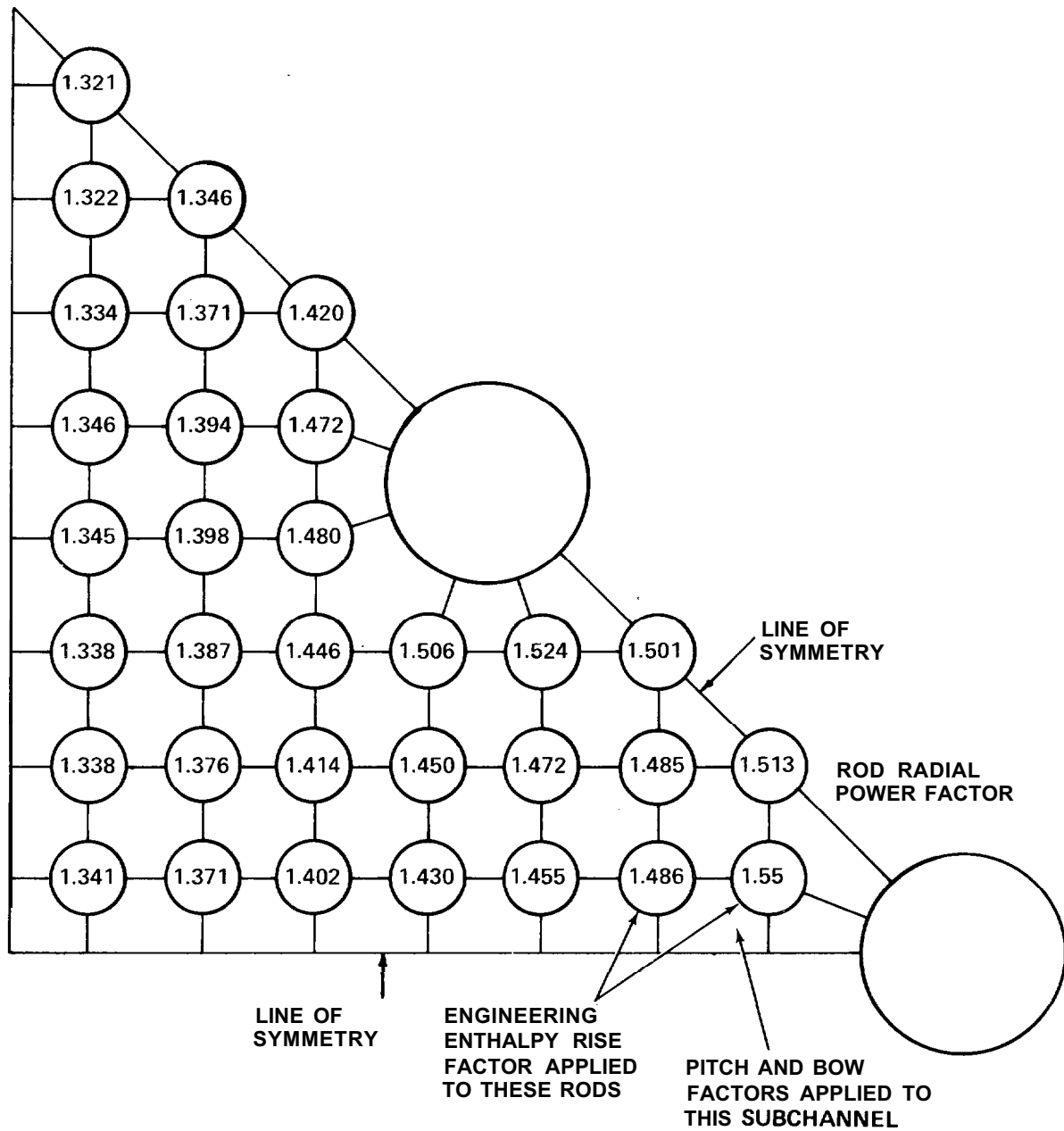
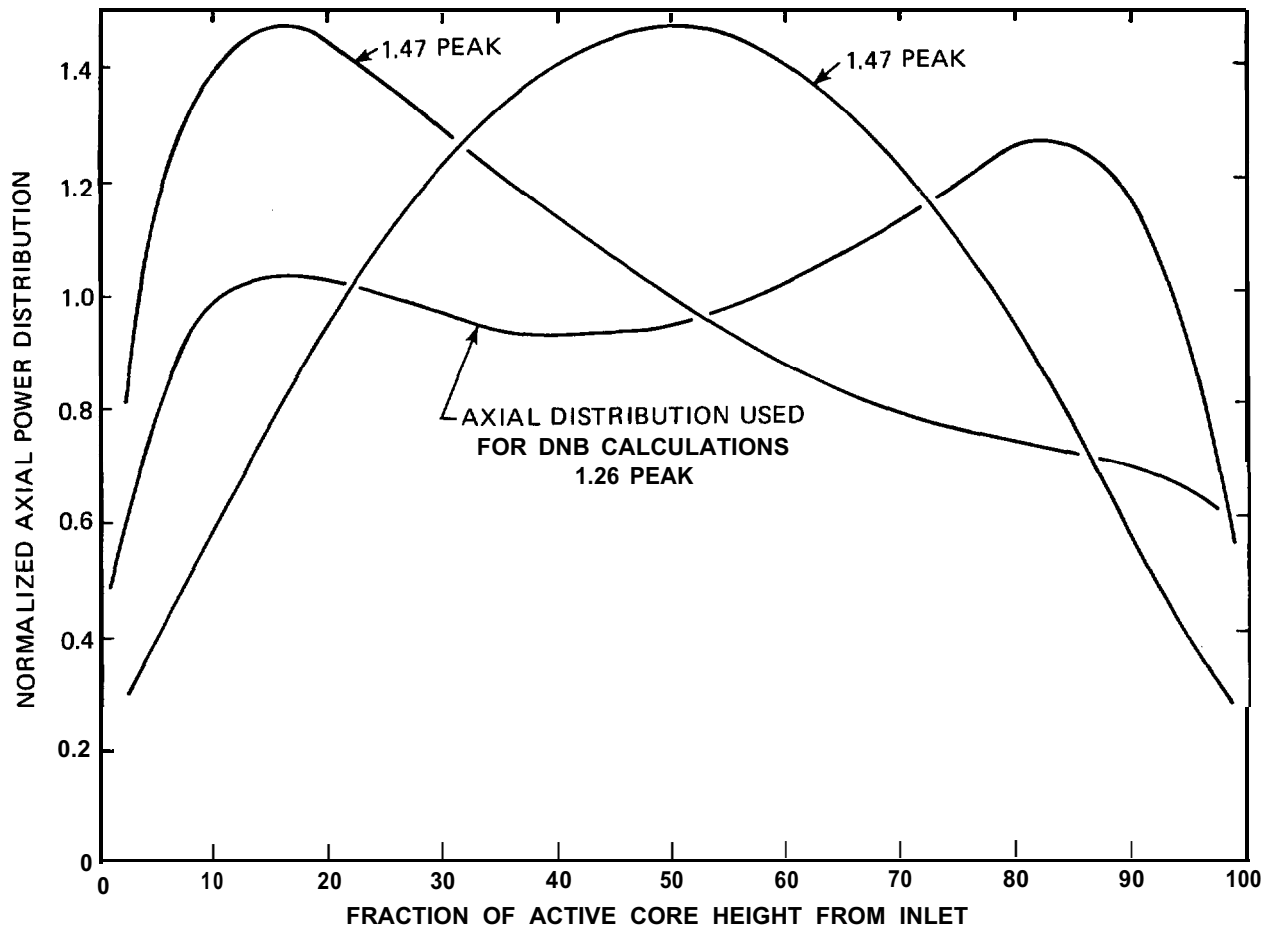
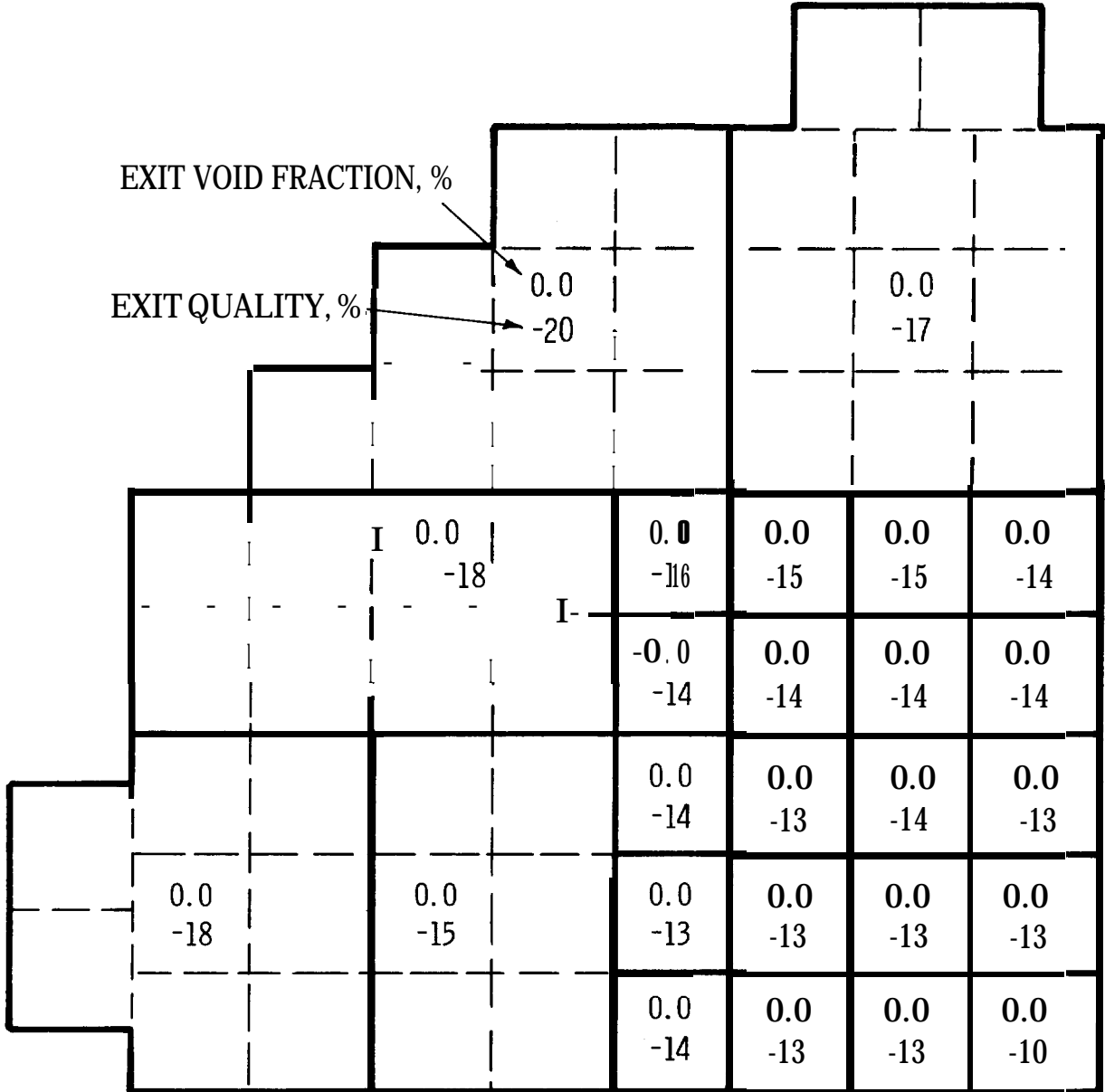
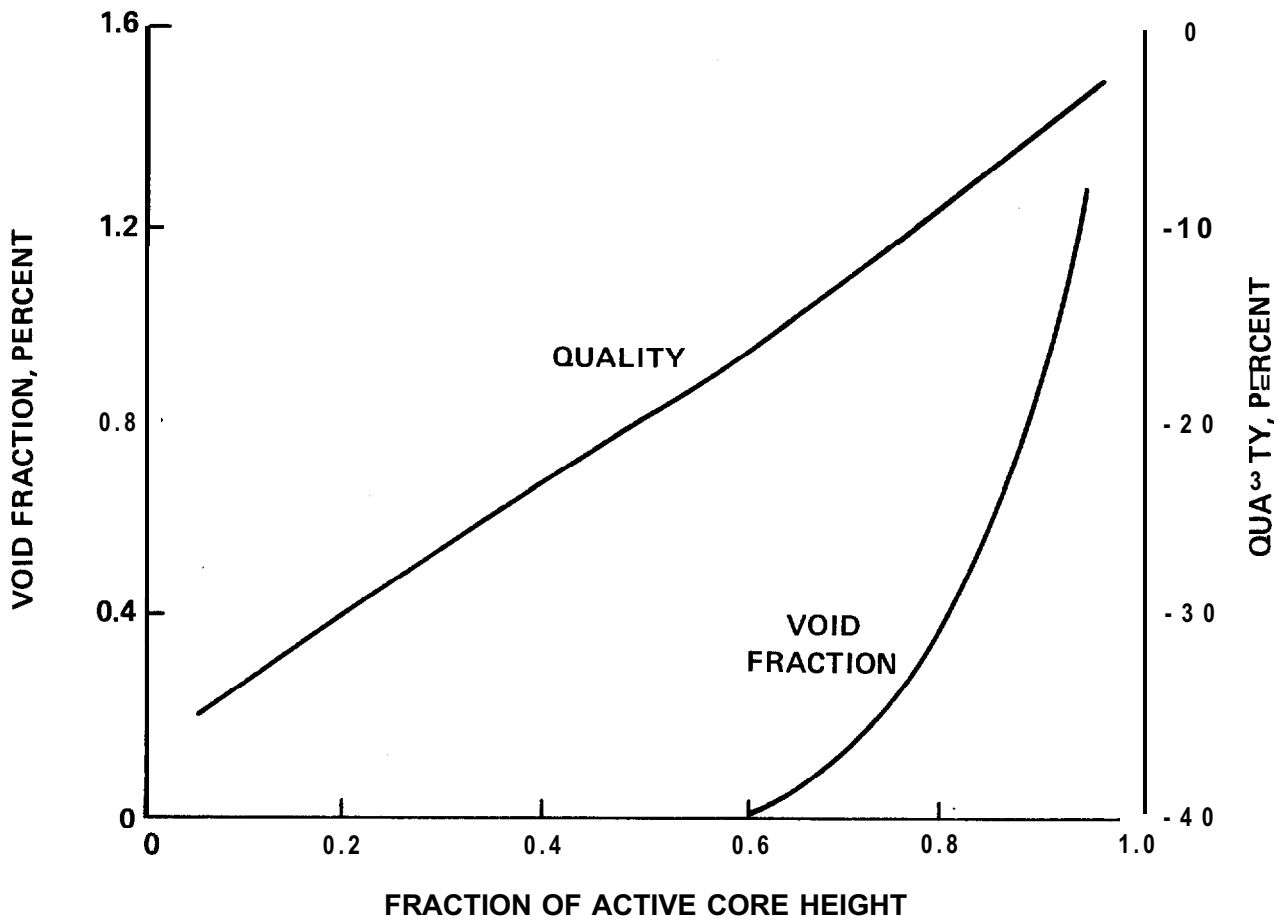


| | | | | | | | | |
|---|--|--|--------|-------|-------|-------|-------|-------|
| | | | | | | 0.666 | 0.898 | |
| | | | | | | 1.102 | 1.190 | |
| Assy. Avg. Rod Radial Power Factor | | | 0.599 | 0.833 | 0.960 | 1.117 | 1.002 | |
| Assy. Maximum Rod Radial, Power Factor | | | -0.991 | 1.132 | 1.227 | 1.226 | 1.106 | |
| | | | 0.667 | 0.956 | 0.949 | 0.991 | 1.055 | 1.030 |
| | | | 1.055 | 1.090 | 1.086 | 1.094 | 1.155 | 1.133 |
| | | | 0.667 | 0.812 | 0.949 | 0.984 | 1.077 | 1.061 |
| | | | 1.055 | 0.923 | 1.078 | 1.084 | 1.175 | 1.165 |
| | | | 0.599 | 0.956 | 0.949 | 0.980 | 1.077 | 1.072 |
| | | | 0.991 | 1.090 | 1.078 | 1.080 | 1.182 | 1.178 |
| | | | 0.833 | 0.949 | 0.984 | 1.077 | 1.075 | 1.156 |
| | | | 1.132 | 1.086 | 1.084 | 1.182 | 1.181 | 1.249 |
| | | | 0.960 | 0.991 | 1.077 | 1.072 | 1.156 | 1.136 |
| | | | 1.227 | 1.094 | 1.175 | 1.178 | 1.249 | 1.246 |
| 0.666 | | | 1.117 | 1.055 | 1.061 | 1.144 | 1.129 | 1.203 |
| 1.102 | | | 1.226 | 1.155 | 1.165 | 1.232 | 1.238 | 1.286 |
| 0.898 | | | 1.002 | 1.030 | 1.115 | 1.105 | 1.184 | 1.160 |
| 1.190 | | | 1.106 | 1.133 | 1.196 | 1.212 | 1.264 | 1.271 |
| | | | | | | | | |





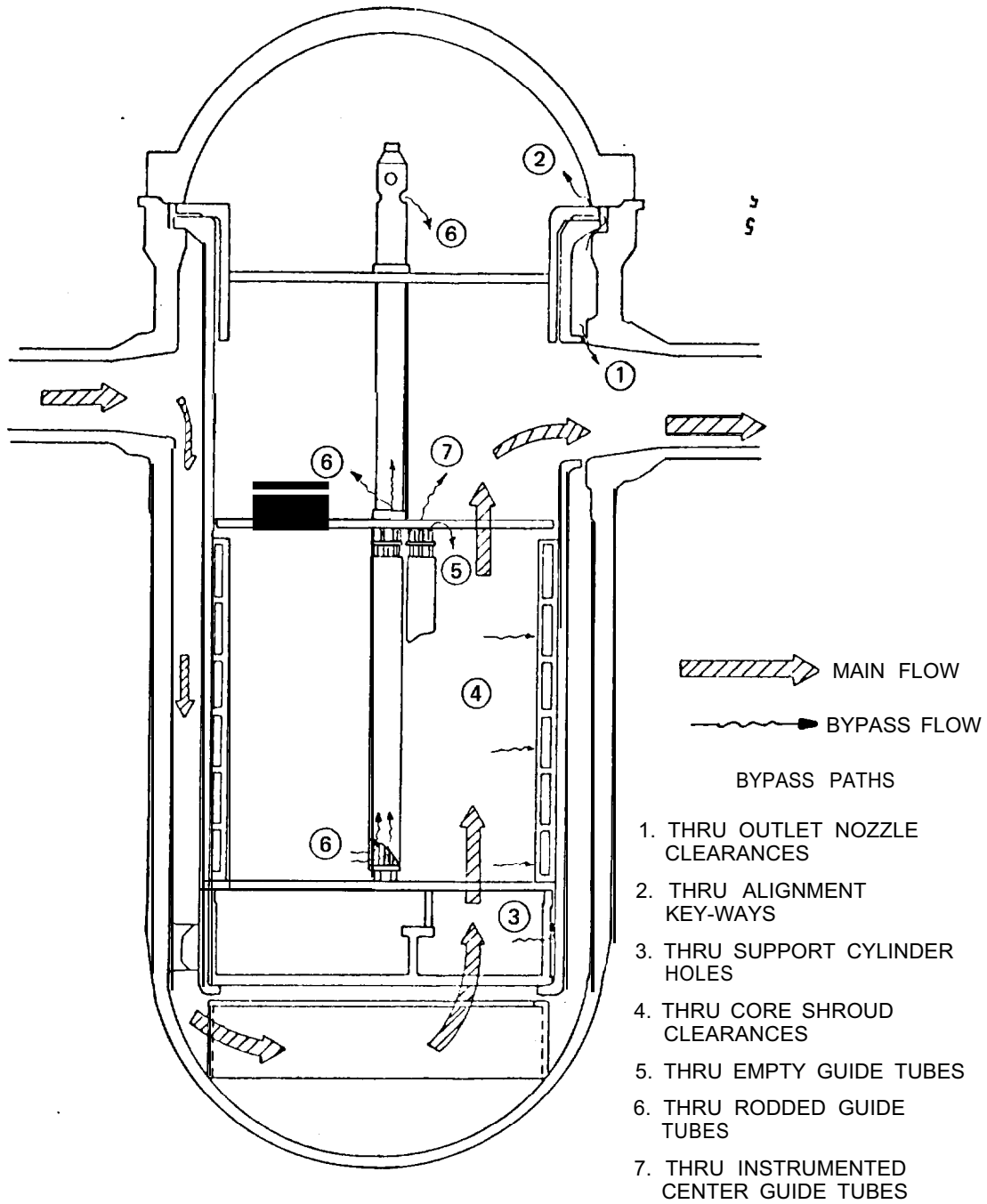




LOUISIANA
POWER & LIGHT CO.
Waterford Steam
Electric Station

AXIAL DISTRIBUTION OF VOID FRACTION AND QUALITY
IN THE SUBCHANNEL ADJACENT TO THE ROD
WITH MINIMUM DNBR

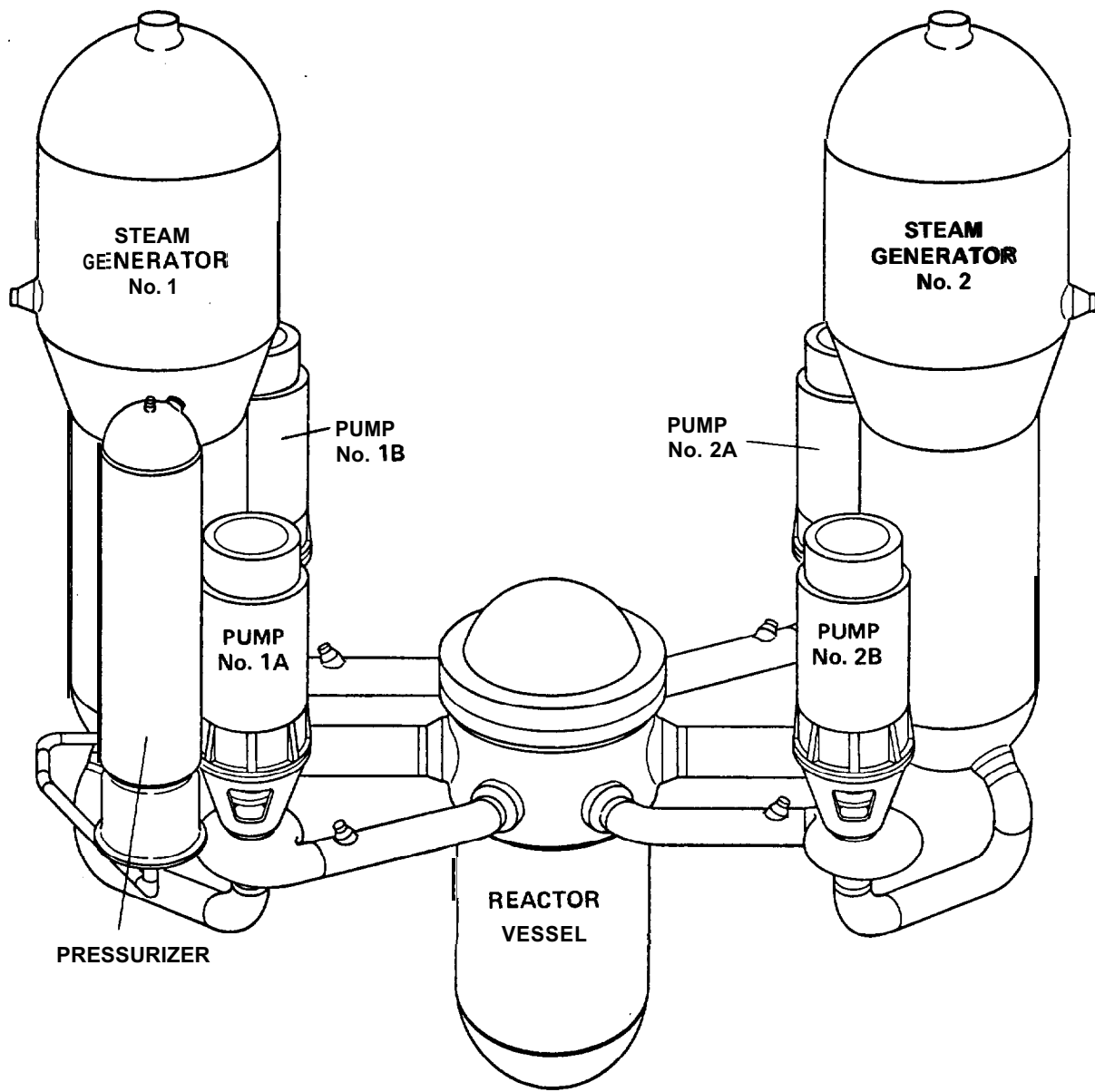
Figure
4.4-5



LOUISIANA
 POWER & LIGHT CO.
 Waterford Steam
 Electric Station

**REACTOR VERTICAL ARRANGEMENT
 SHOWING BYPASS FLOW PATHS**

Figure
 4.4-6



LOUISIANA
POWER & LIGHT CO.
 Waterford Steam
 Electric Station

ISOMETRIC VIEW OF THE REACTOR COOLANT SYSTEM

Figure
 4.4-7

→ (DRN 01-416)

Figure 4.4-8, Sheet 1 has been incorporated by reference in accordance with NEI 98-03.

Figure information can be found in Drawing G167, Sheet 1.

← (DRN 01-416)

→(DRN 02-1016)

Figure 4.4-8, Sheet 2 has been incorporated by reference in accordance with NEI 98-03.

Figure information can be found in Drawing G167, Sheet 2.

←(DRN 02-1016)

→ (DRN 01-416)

Figure 4.4-8, Sheet 3 has been incorporated by reference in accordance with NEI 98-03.

Figure information can be found in Drawing G167, Sheet 3.

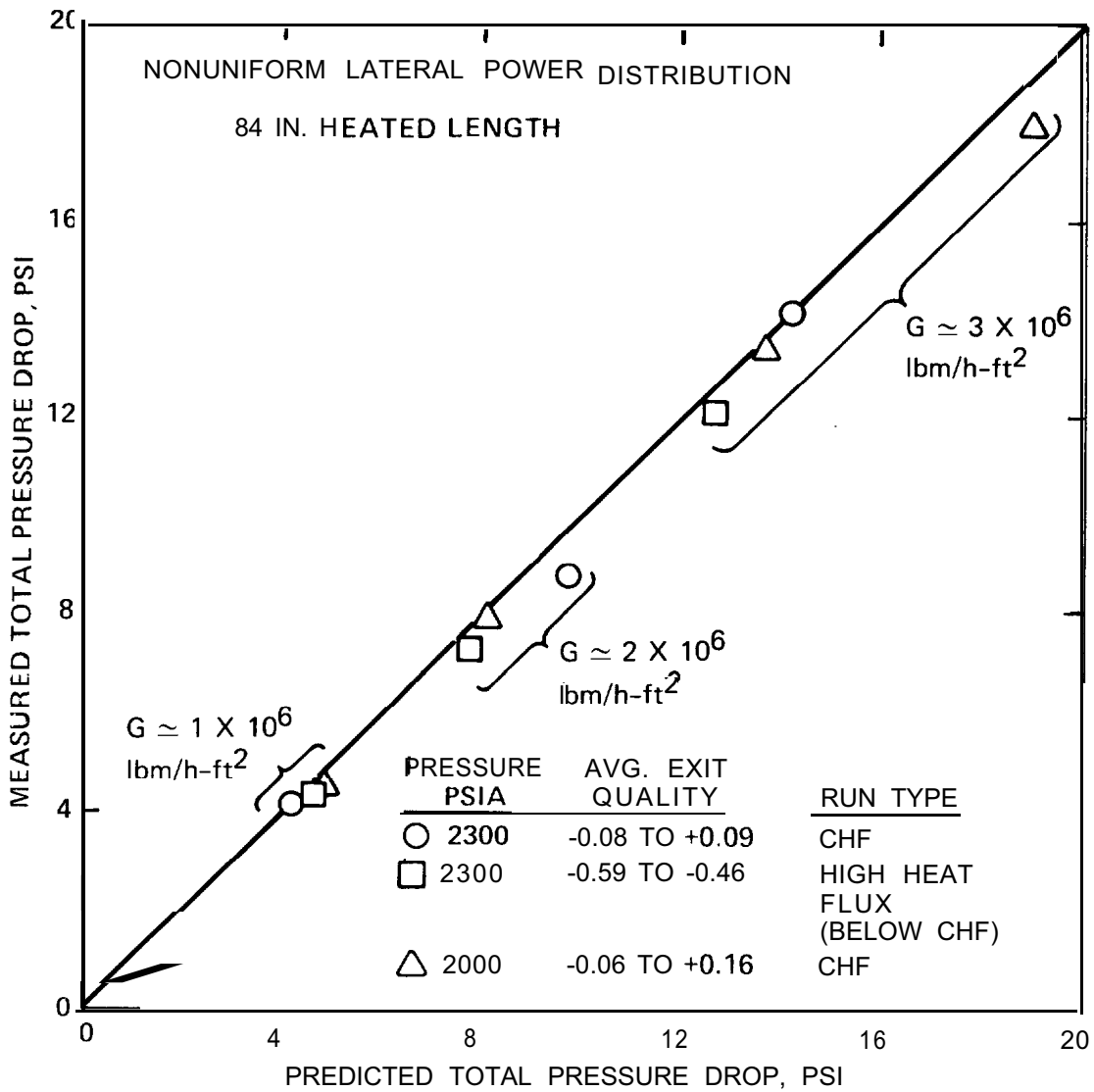
← (DRN 01-416)

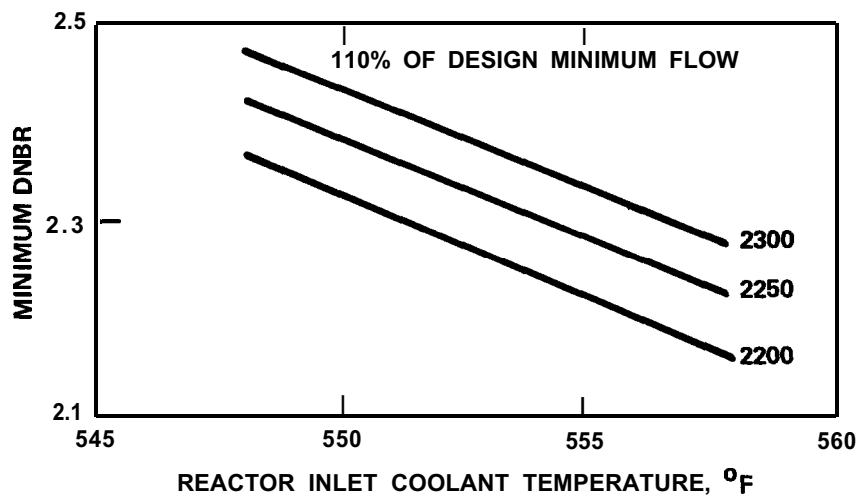
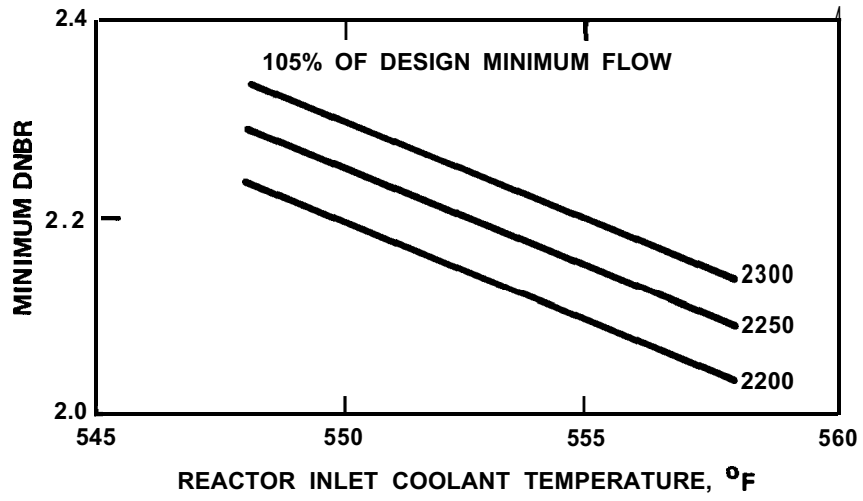
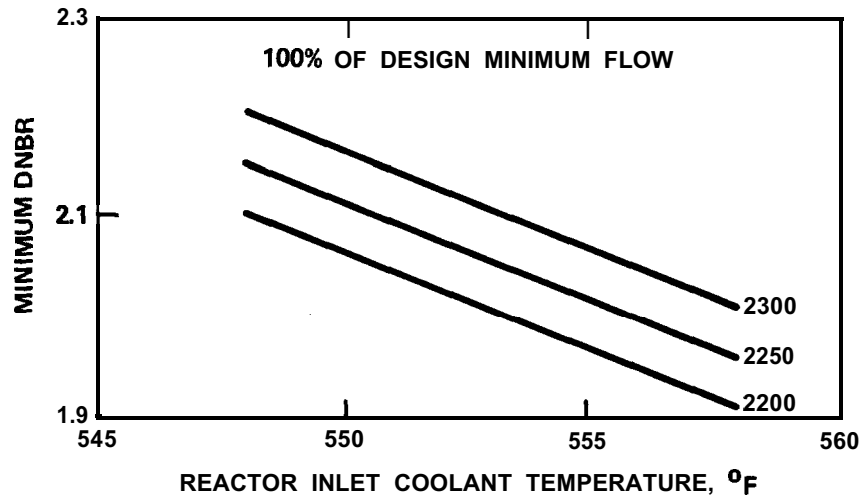
→(DRN 02-1016)

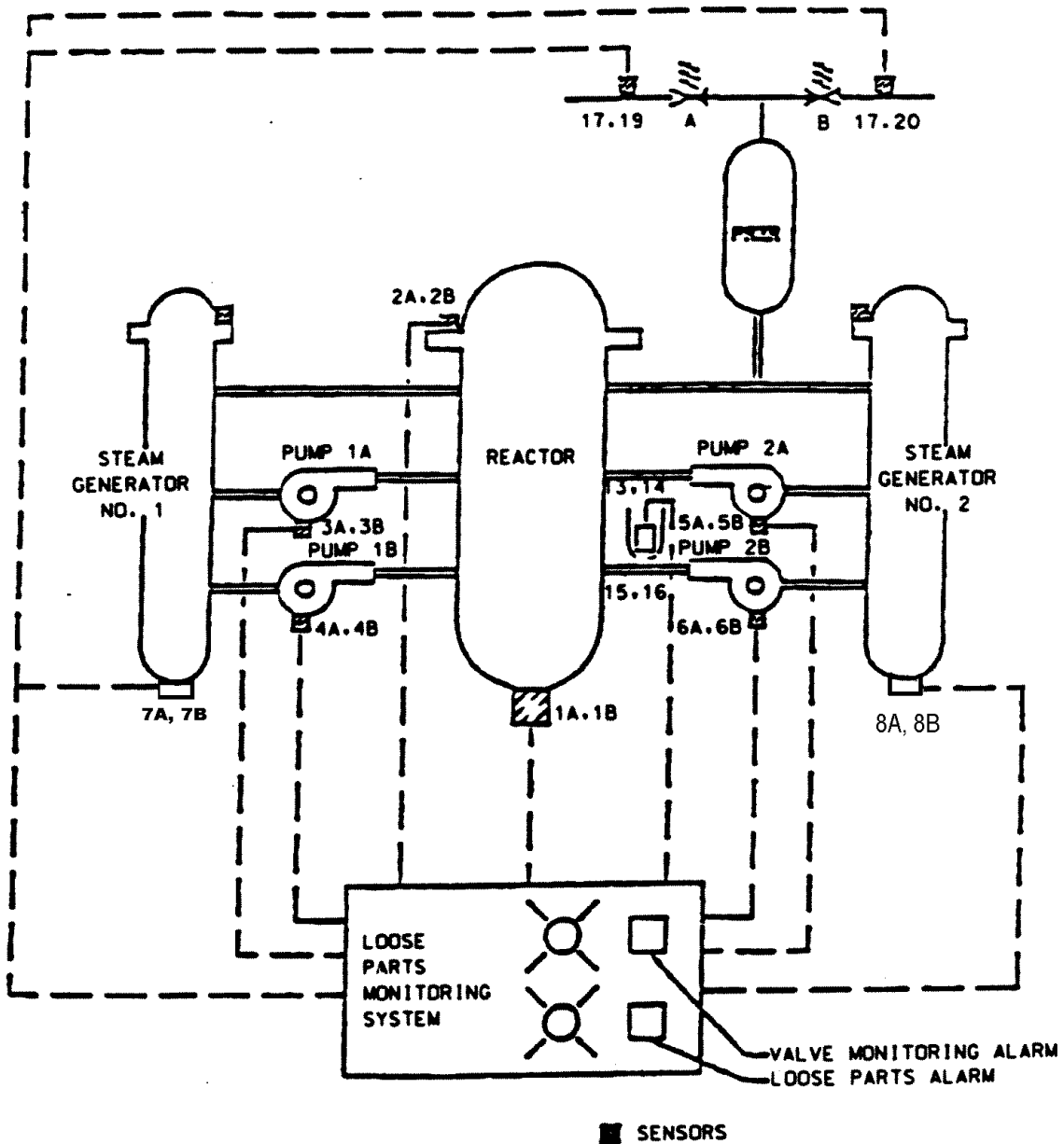
Figure 4.4-8, Sheet 4 has been incorporated by reference in accordance with NEI 98-03.

Figure information can be found in Drawing G167, Sheet 4.

←(DRN 02-1016)







NOTE :

SENSORS & PREAMPLIFIERS LOCATION & CONNECTION ARE DESCRIPTIVE ONLY AND DO NOT REPRESENT ACTUAL CONNECTIONS.

Revision 11 (05/01)