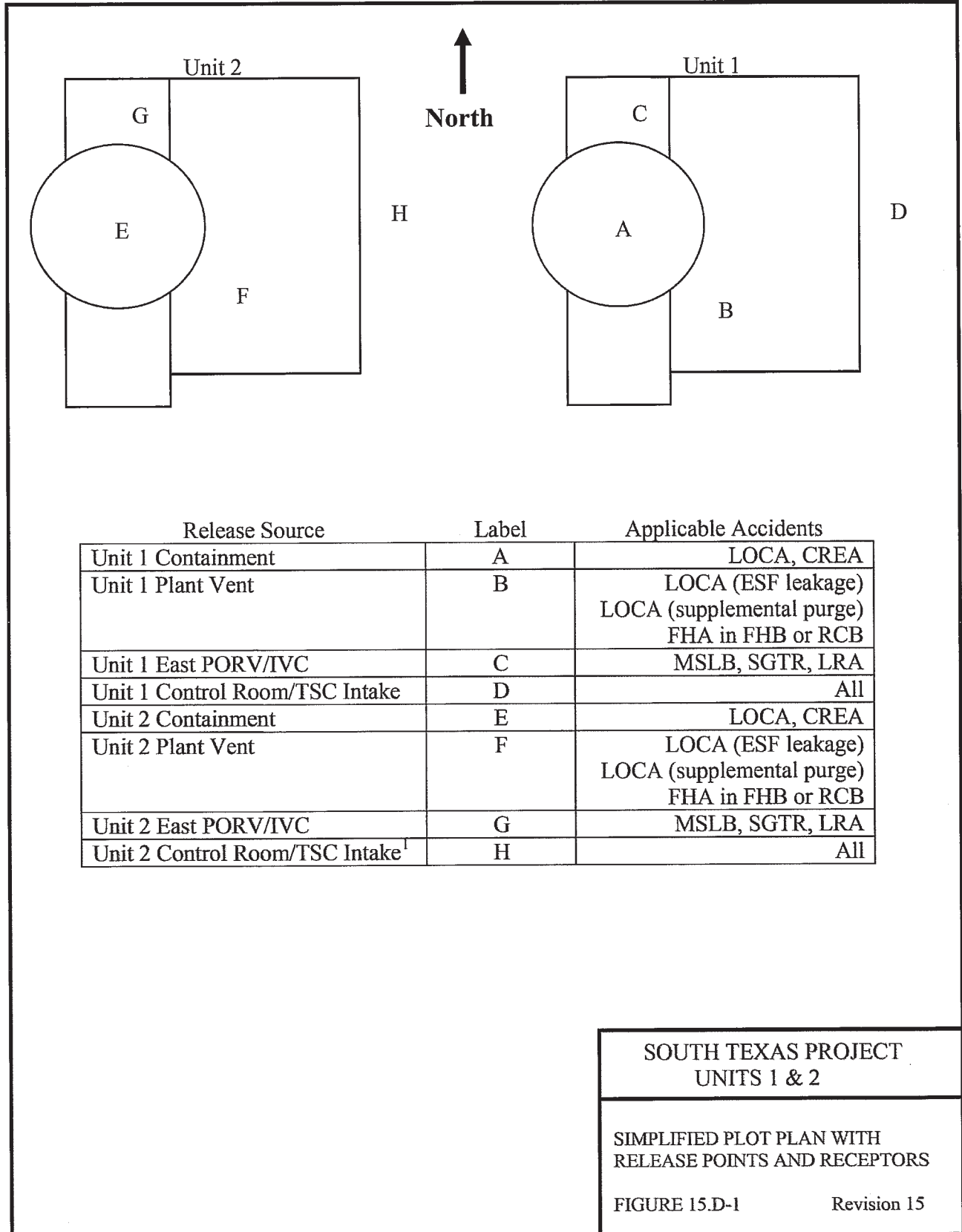


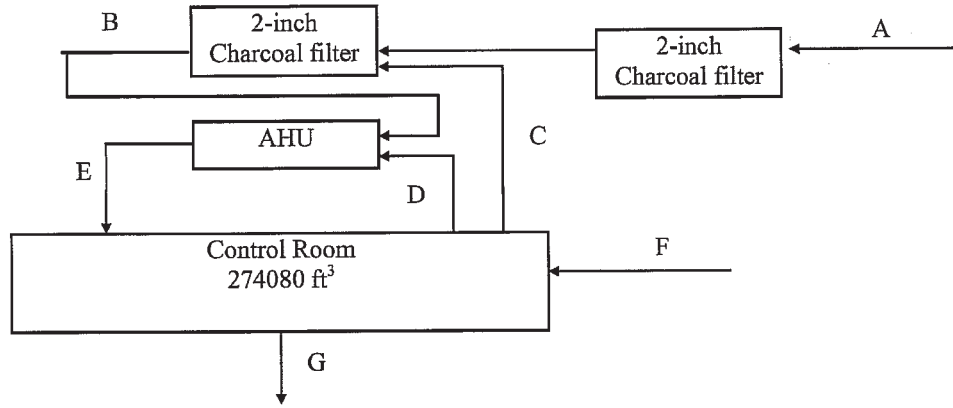
STPEGS UFSAR



CN-2897

<sup>1</sup> On each unit, the EAB HVAC Intake is immediately South of the Control Room/TSC intake.

STPEGS UFSAR



CN-2897

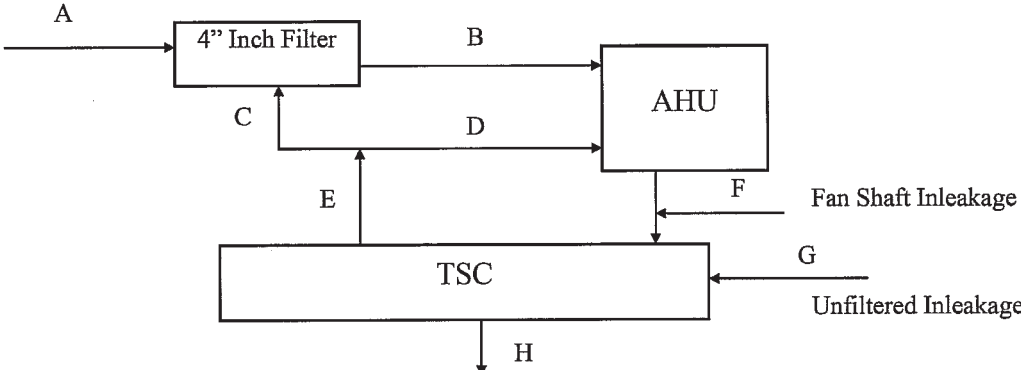
SOUTH TEXAS PROJECT  
UNITS 1 & 2

CONTROL ROOM HVAC  
ANALYTICAL MODEL

FIGURE 15.D-2

Revision 15

STPEGS UFSAR



|                                    |             |
|------------------------------------|-------------|
| SOUTH TEXAS PROJECT<br>UNITS 1 & 2 |             |
| TSC HVAC ANALYTICAL MODEL          |             |
| FIGURE 15.D-3                      | Revision 15 |