

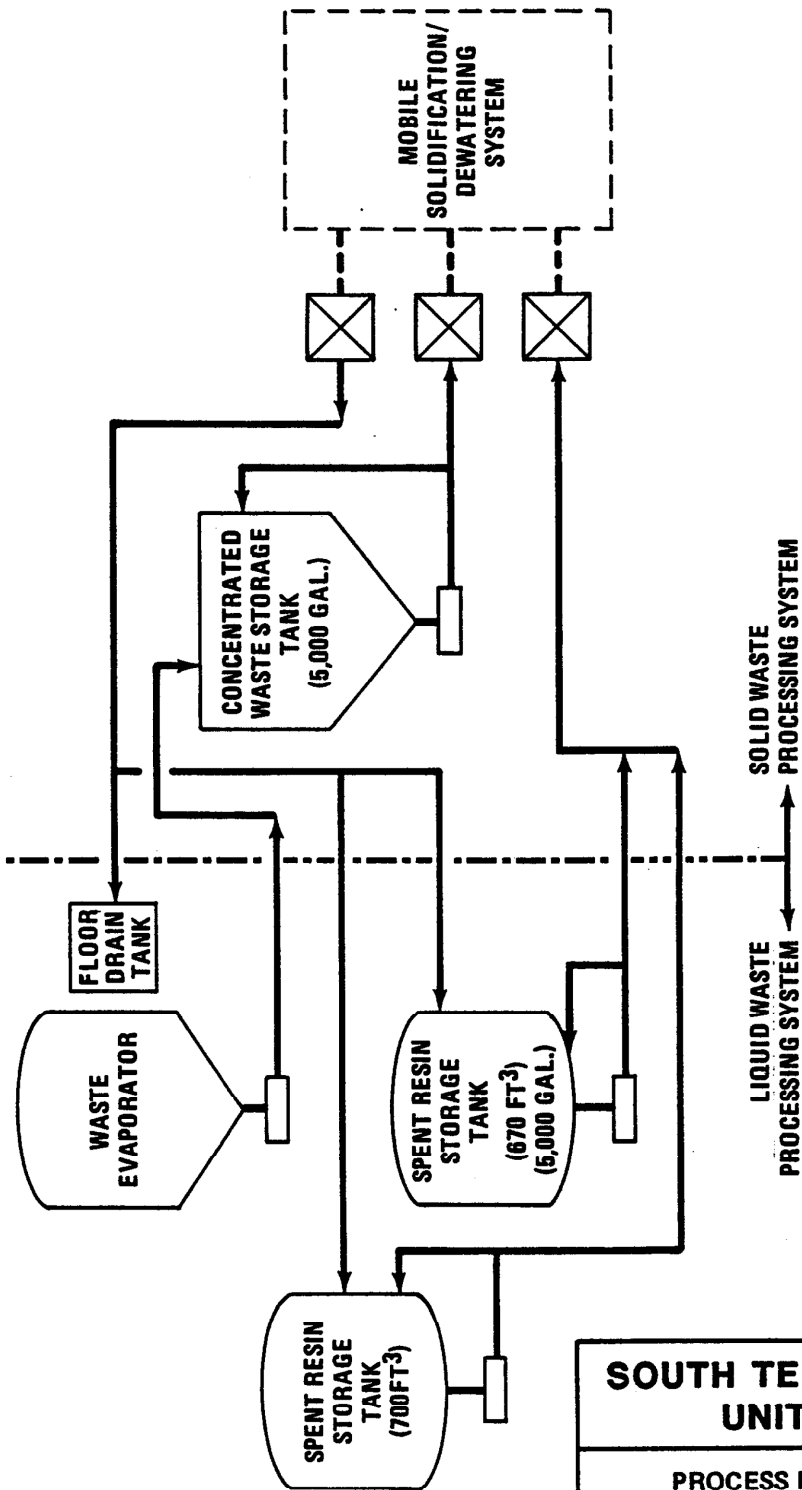
UFSAR

Section 11.4

STPEGS UFSAR

UFSAR FIGURE 11.4-1
Reference Drawing(s) 6R329F05048#1
6R329F05048#2

UFSAR FIGURE 11.4-2
Reference Drawing(s) 6R329F05059#1
6R329F05059#2



**SOUTH TEXAS PROJECT
UNITS 1 & 2**

**PROCESS FLOW DIAGRAM
SOLID WASTE PROCESSING SYSTEM**

Figure 11.4-3

Revision 0