





TABLE FOR PIPE NOZZLES. Columns include SEQ. NO., DET. NO., POS. ON PIPE, PIPE SIZE, AZ., ELEV., and NOTE. Rows list nozzle details for various locations and rings.

Table with 4 columns: Location/Ring, Nozzle ID, Elevation, and Note. Rows correspond to locations 45-HCB-3, 45-HCB-4, 45-HCB-5, 45-HCB-6, 45-HCB-7, and 45-HCB-8.

Table with 4 columns: Location/Ring, Nozzle ID, Elevation, and Note. Rows correspond to locations 50-HCB-3, 50-HCB-4, 50-HCB-5, 50-HCB-6, 50-HCB-7, and 50-HCB-8.

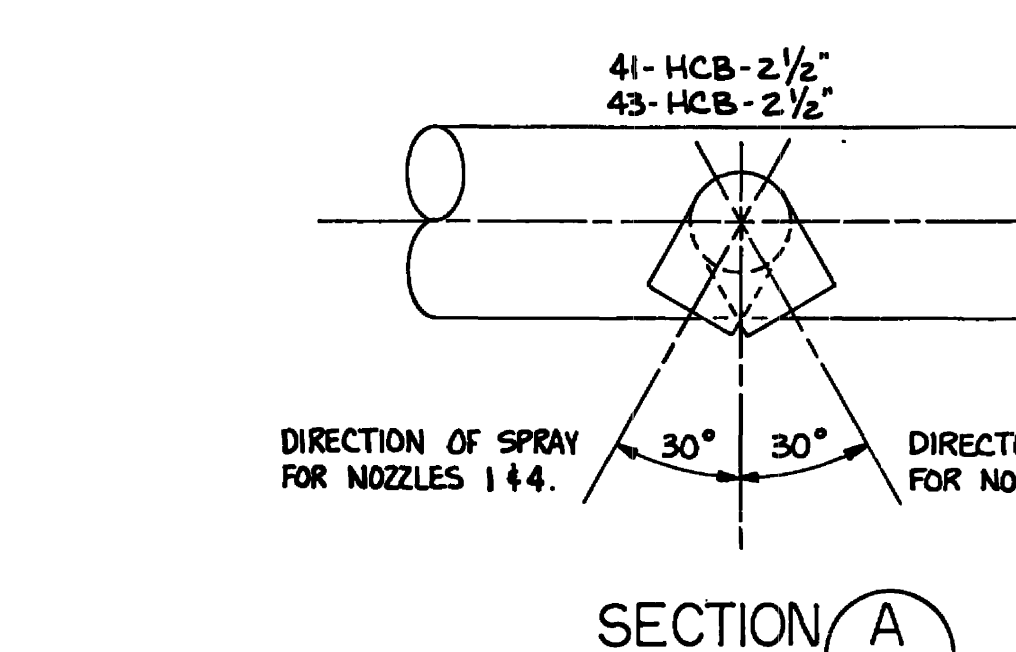
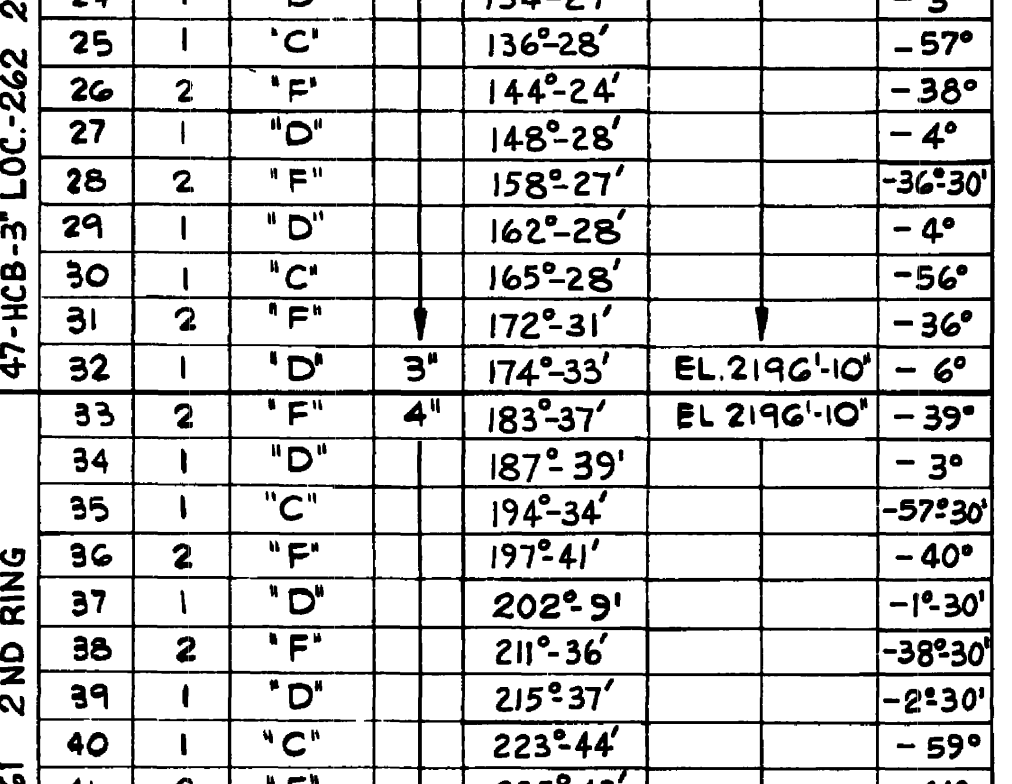
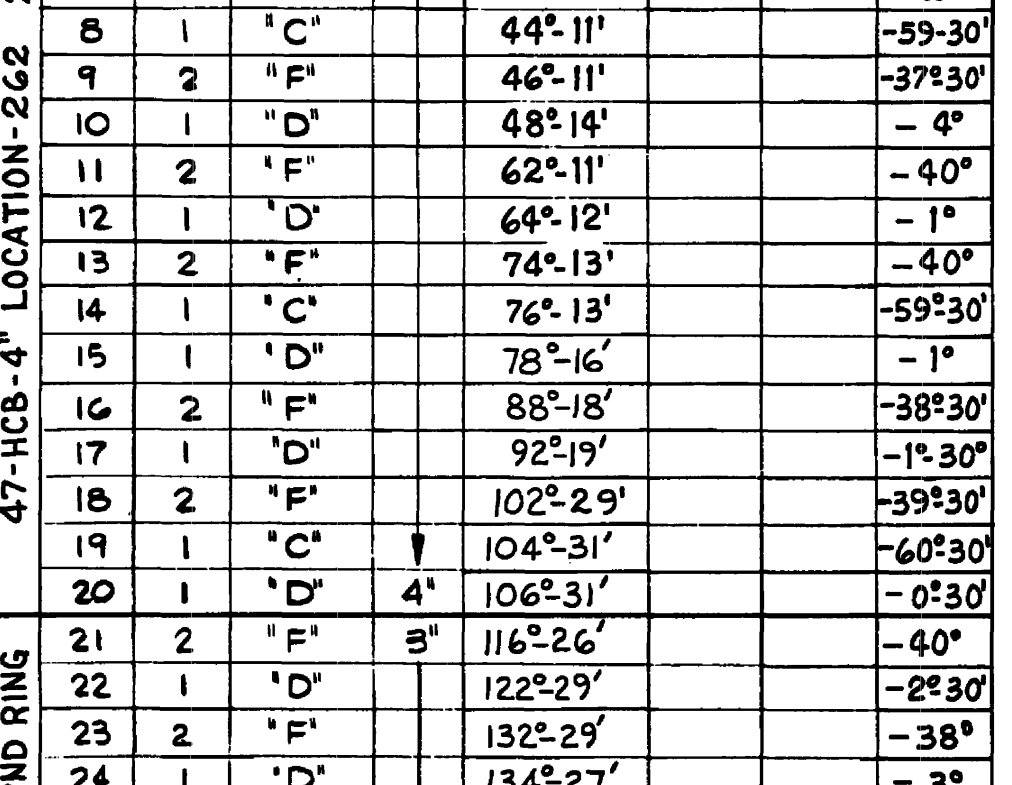
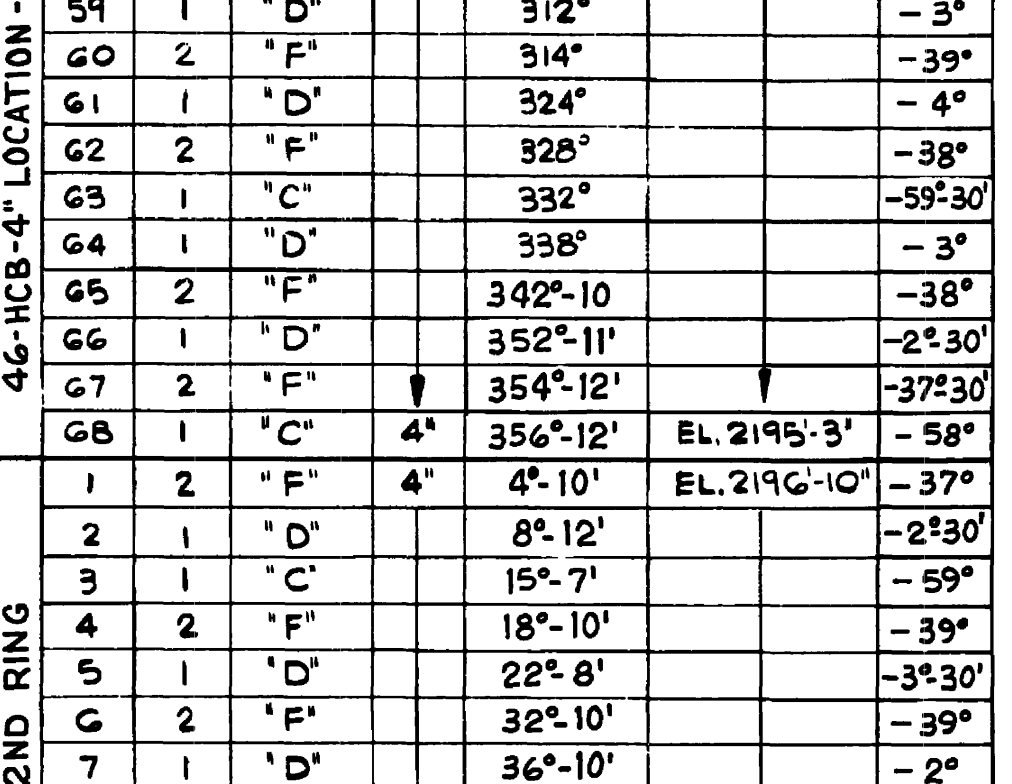
Table with 4 columns: Location/Ring, Nozzle ID, Elevation, and Note. Rows correspond to locations 55-HCB-3, 55-HCB-4, 55-HCB-5, 55-HCB-6, 55-HCB-7, and 55-HCB-8.

Table with 4 columns: Location/Ring, Nozzle ID, Elevation, and Note. Rows correspond to locations 60-HCB-3, 60-HCB-4, 60-HCB-5, 60-HCB-6, 60-HCB-7, and 60-HCB-8.

Table with 4 columns: Location/Ring, Nozzle ID, Elevation, and Note. Rows correspond to locations 65-HCB-3, 65-HCB-4, 65-HCB-5, 65-HCB-6, 65-HCB-7, and 65-HCB-8.

Table with 4 columns: Location/Ring, Nozzle ID, Elevation, and Note. Rows correspond to locations 70-HCB-3, 70-HCB-4, 70-HCB-5, 70-HCB-6, 70-HCB-7, and 70-HCB-8.

Table with 4 columns: Location/Ring, Nozzle ID, Elevation, and Note. Rows correspond to locations 75-HCB-3, 75-HCB-4, 75-HCB-5, 75-HCB-6, 75-HCB-7, and 75-HCB-8.



NOTES: 1. FOR GENERAL NOTES AND REFERENCES SEE DWG. M-03EN01. 2. WORK THIS DRAWING WITH M-03EN03 & M-03EN05. 3. THE FOLLOWING PROCEDURE SHALL BE USED BY THE CONSTRUCTOR WHEN INSTALLING CONTAINMENT SPRAY NOZZLES...

USAR FIG. 6.2.2-2-02. ESSENTIAL DRAWING. WOLF CREEK NUCLEAR OPERATING CORPORATION. ELECTRONIC APPROVAL. PIPING ORTHOGRAPHIC CONTAINMENT SPRAY SYSTEM REACTOR BUILDING 'A' & 'B' TRAINS.















