

**OVERSIZE  
DOCUMENT  
PAGE PULLED**

---

**SEE APERTURE CARDS**

---

**NUMBER OF OVERSIZE PAGES FILMED ON APERTURE CARDS**

---

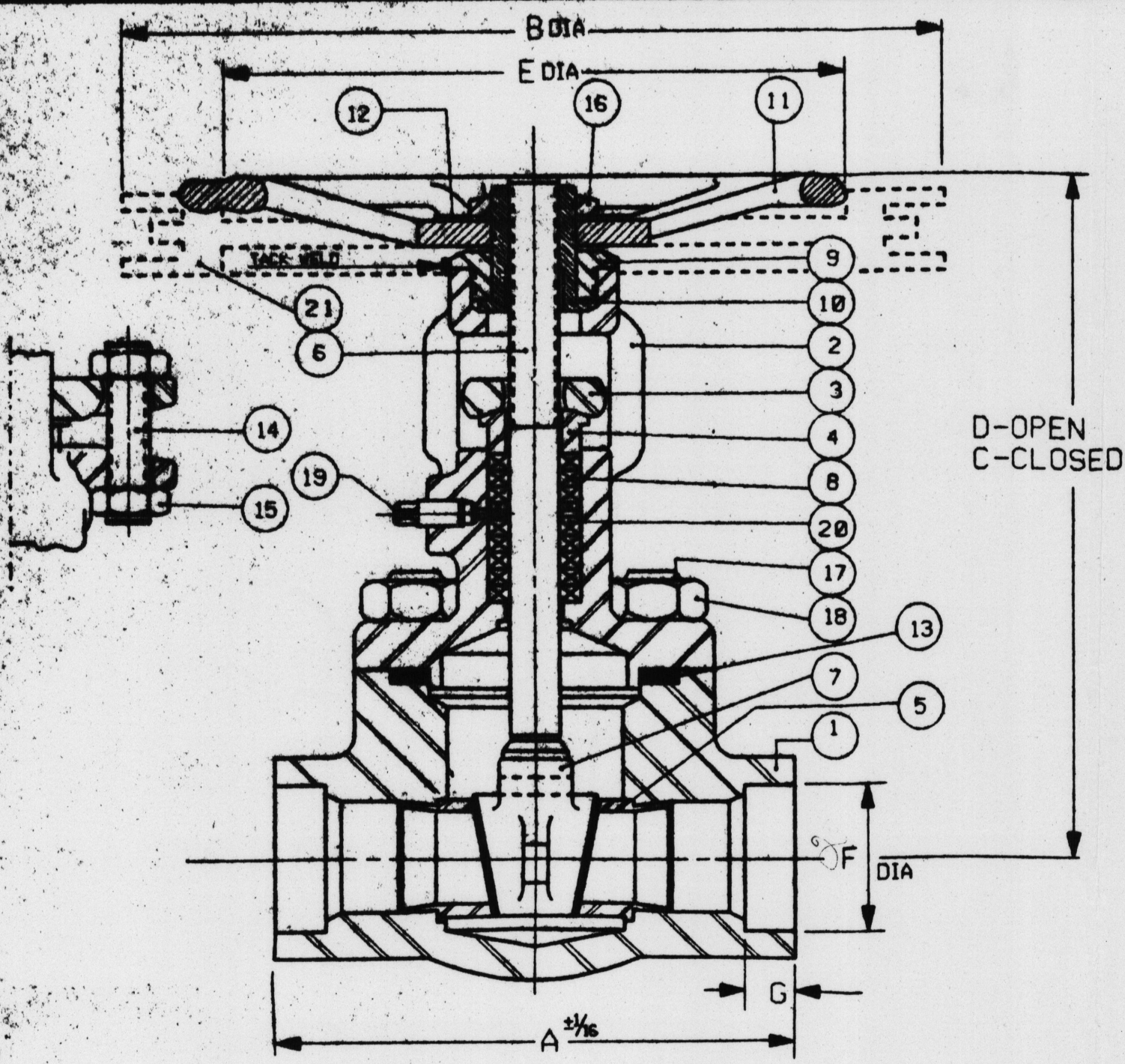
**2**

9204100232  
11 237

**APERTURE CARD/HARD COPY AVAILABLE FROM**

**RECORDS AND REPORTS MANAGEMENT BRANCH**





### MATERIAL LIST

ITEM	NAME	QTY	MATERIAL	SPEC.	REMARKS
1	BODY	1	S/S F316	ASTM-A182	FORG.
2	BONNET	1	S/S F316	ASTM-A182	FORG.
3	BONNET	1	S/S F304	ASTM-A182	FORG.
4	PACKING FLANGE	1	S/S F304	ASTM-A182	FORG.
5	GLAND BUSHING	1	S/S 304	ASTM-A276	
6	SEAT	2	S/S 316	ASTM-A276	STELLITE No6
7	SEAT	2	S/S 304	ASTM-A276	STELLITE No6
8	STEM	1	S/S 316	ASTM-A276	COND. B
9	STEM	1	S/S 316	ASTM-A276	COND. B
10	WEDGE	1	S/S 316	ASTM-A351	STELLITE No6
11	WEDGE	1	S/S 304	ASTM-A351	STELLITE No6
12	PACKING RING	1	BRAIDED ASBEST.	J. CRANE (898)	SEE NOTE 4
13	YOKER BUSHING	1	C/S GR. 12L15	ASTM-A108	
14	YOKER NUT	1	MANG. BRZ	ASTM-B147	
15	HANDWHEEL	1	MALL. IRON	ASTM-A47	
16	NAMEPLATE	1	BRASS	COMMERCIAL	
17	SPIRAL WOUND GASKET	1	S/S 316 & ASBEST.	FLEXITALLIC	
18	GLAND STUD	2	S/S GR. B8	ASTM-A193	
19	GLAND NUT	4	S/S GR. B	ASTM-A194	
20	WHEEL NUT	1	C/S GR. 1020	ASTM-A108	
21	BONNET STUD	4	CHR. MOLY. B7	ASTM-A193	
22	BONNET STUD	4	S/S GR. B	ASTM-A193	
23	BONNET NUT	4	C/S GR. 2H	ASTM-A194	
24	BONNET NUT	4	S/S GR. B	ASTM-A194	
25	PLUG N.P.T	1	C.S.	COMMERCIAL	
26	LANTERN RING	1	S/S F304	ASTM-A276	
27	CHAINWHEEL	1	ROTDHAMMER		

### DIMENSION TABLE

VALVE SIZE	1/4	3/8	1/2	3/4	1	1 1/4	1 1/2	2
A	3 1/4	3 3/4	3 3/4	3 3/2	4 1/8	5	5	5 1/4
B	5 1/2	5 1/2	5 1/2	5 1/2	5 1/2	5 1/2	5 1/2	7 1/2
C	6 3/4	6 3/4	6 3/4	7 1/8	7 3/8	8 3/4	8 3/4	9 3/4
D	7 3/4	7 3/4	7 3/4	8 3/8	8 3/8	10 3/8	10 3/8	11 1/2
E	3 1/2	3 1/2	3 1/2	3 1/2	3 1/2	4 3/4	4 3/4	6
F	.555	.690	.855	1.065	1.330	1.675	1.915	2.406
G	3/8	3/8	3/8	1/2	1/2	1/2	1/2	5/8
WT.	4	4	4	4	5	10	12	15

- NOTES:**
1. HYDROSTATIC TESTS IN ACCORDANCE WITH CUSTOMER'S SPECIFICATION.
  2. DESIGN OF VALVE IN ACCORDANCE WITH ASA & MSS.
  3. ALL CARB. STL. PARTS PARKERIZED.
  4. MAX. ALLOWABLE CHLORIDE CONTENT: 100PPM.

QA CONDITION 1  
FIG. No.

**VELAN ENGINEERING COMPANIES**  
PLATTSBURGH N.Y. - MONTREAL - LEICESTER  
1/4" TO 2"  
**ST. STL. B. B. GATE VALVE WITH LEAK-OFF CONN.**  
DATE: 12 NOV. 68  
DRAWN:  
CHECK:  
CLASS USAS 600 LB P-34000.5

254B-6001b

DUKE POWER COMPANY  
CONNEE NUCLEAR POWER STATION 1, 2 & 3  
VALVE DATA CHART

REV. C STEM MAT'L REVISED TO S/S316 FROM S/S 410. DEC. 23/71, GMW

VALVE LIST -59/600/5

VELAN P.O. # P-34000-3

ITEM	SIZE	MARK *	OPER.	TEST		ENDS	GENERAL NOTES		
				LEGEND	DESCRIPTION		LEGEND	DESCRIPTION	
5		FS/1/59/3 FS/2/59/3 FS/1/59/5 FS/2/59/5 FS/1/59/9 FS/2/59/9			T3	CLASS "C" VALVES TO SPEC OS-252A, SECT.;		B31 C L	B31 ACIDS USED IN CLEANING AND DE-CONT. AND ANY MIXT OF BORATED WATER, RADIOACT. RESINS IN WAT. SOL., NITROGEN, HYDROGEN, HYDRAZINE, CAUSTIC POTASSIUM AND AMMON. HYDROXIDE
		B31 C, D, L						C SPEC. OS-252A	
6	2"	FS/1/59/15 FS/2/59/15 FS/1/59/18 FS/2/59/18	HAND WHEEL	T3		SOCKETWELD		B31 C L	D VALVES LOCATED INSIDE OF REACTOR BUILDING
		B31 C, D, L						L DOUBLE PACKING LEAK OFF CONN.	
		B31 C L							
9	1 1/2"	FS/1/59/6 FS/2/59/6 FS/1/59/17 FS/2/59/17 FS/1/59/20 FS/2/59/20							
10		FS/3/59/6 FS/3/59/17 FS/3/59/20							
15	1"	FS/1/59/14 FS/2/59/14						B31, C D, L	
16		FS/3/59/14							

CONTROLLED DRAWING  
VERIFIED BY *alg*  
MAR 23 1992  
VOID AFTER 14 DAYS

**APPROVED**  
DUKE POWER CO.  
DATE: APR 29 1991  
By: B. L. PEELER  
MANAGER  
CONNEE DIVISION

DOCUMENT CONTROL DATE  
APR 23 1991  
DESIGN ENGINEERING  
DUKE POWER COMPANY

LEG. CERT. FULL SIZE ONLY

NO.	REVISIONS	BY	DATE	CHKD	DATE	APP'D	DATE

OM 246. -0008 001

SHEET #P-34000-5-1 REV. DD

SI  
APERTURE  
CARD

9204100232