

**OVERSIZE
DOCUMENT
PAGE PULLED**

SEE APERTURE CARDS

NUMBER OF OVERSIZE PAGES FILMED ON APERTURE CARDS

2

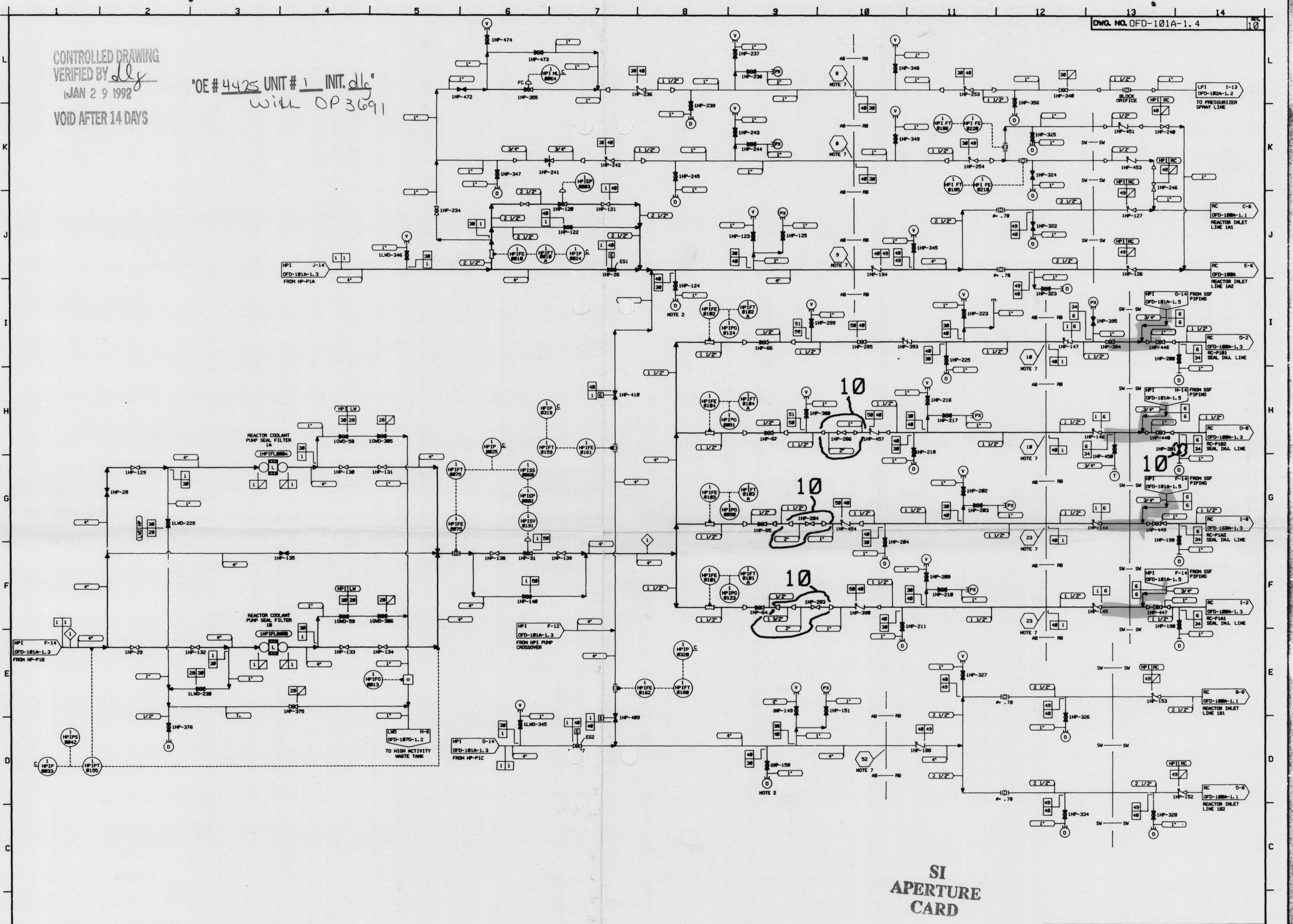
9202110407
9202110411

APERTURE CARD/HARD COPY AVAILABLE FROM

RECORDS AND REPORTS MANAGEMENT BRANCH

CONTROLLED DRAWING
VERIFIED BY *dy*
JAN 29 1992
VOID AFTER 14 DAYS

"OE # 4425 UNIT # 1 INT. dlc"
with OP 3691



- NOTES
- OPERATING MODE REPRESENTED BY SOLID LINES; ONE HP-1 PUMP SUPPLYING R.C. PUMP SEAL INJECTION & MAKEUP FLOW.
 - CONNECTION FOR PERFORMING CLASS "C" LEAKAGE TEST OF R.B. ISOLATION VALVE & HYDRO TEST.
 - 1/2" THRU 4" SCH. = 40
 - 1/2" THRU 12" SCH. = 100
 - 1/2" THRU 2" SCH. = 40
 - 1/2" THRU 12" SCH. = 100
 - 1" THRU 18" SCH. = 100
 - 1/2" THRU 2" SCH. = 40
 - FOR DETAILS OF TRANSITION REFER TO O-430C.
 - THE ORIGINAL ISSUE OF THIS DRAWING BASED ON PD-101A-1, REV. 27, & PD-101A-1, REV. 28.

DESIGN PARAMETERS

LINE NO.	ISI CLASS	DESIGN PRESS.	DESIGN TEMP.	DUKE CLASS	MATERIAL	PIPE SPEC. NO.	PIPE SCH. NO.
1	B	2500	250	B	SS	1081.2	NOTE 3
2	B	2500	250	B	SS	1081.2	NOTE 4
3	B	2500	250	B	SS	1081.2	NOTE 5
4	B	2500	250	B	SS	1081.2	NOTE 6
5	B	2500	250	B	SS	1081.2	NOTE 7
6	B	2500	250	B	SS	1081.2	NOTE 8
7	B	2500	250	B	SS	1081.2	NOTE 9
8	B	2500	250	B	SS	1081.2	NOTE 10
9	B	2500	250	B	SS	1081.2	NOTE 11
10	B	2500	250	B	SS	1081.2	NOTE 12
11	B	2500	250	B	SS	1081.2	NOTE 13
12	B	2500	250	B	SS	1081.2	NOTE 14
13	B	2500	250	B	SS	1081.2	NOTE 15
14	B	2500	250	B	SS	1081.2	NOTE 16
15	B	2500	250	B	SS	1081.2	NOTE 17
16	B	2500	250	B	SS	1081.2	NOTE 18
17	B	2500	250	B	SS	1081.2	NOTE 19
18	B	2500	250	B	SS	1081.2	NOTE 20
19	B	2500	250	B	SS	1081.2	NOTE 21
20	B	2500	250	B	SS	1081.2	NOTE 22
21	B	2500	250	B	SS	1081.2	NOTE 23
22	B	2500	250	B	SS	1081.2	NOTE 24
23	B	2500	250	B	SS	1081.2	NOTE 25
24	B	2500	250	B	SS	1081.2	NOTE 26
25	B	2500	250	B	SS	1081.2	NOTE 27
26	B	2500	250	B	SS	1081.2	NOTE 28
27	B	2500	250	B	SS	1081.2	NOTE 29
28	B	2500	250	B	SS	1081.2	NOTE 30
29	B	2500	250	B	SS	1081.2	NOTE 31
30	B	2500	250	B	SS	1081.2	NOTE 32
31	B	2500	250	B	SS	1081.2	NOTE 33



SI
APERTURE
CARD

GA CONDITION 2

GA CONDITION 1

DUKE POWER COMPANY
OCONEE NUCLEAR STATION UNIT 1

FLOW DIAGRAM OF
HIGH PRESSURE
INJECTION SYSTEM
(CHARGING SECTION)

DESIGNER: CH. WILSON DATE: 11-27-80
DRAWN: J.T. MOORE DATE: 11-27-80
CHECKED: S. STRONGER DATE: 11-27-80
APP. BY: M. MOORE DATE: 12-28-80

REV. NO. REV. PER DATE

18 REV PER OE# 3117, 3118, 3119 & 4180
19 REV PER ONPR-3451 & OE# 3117 & 3118, & 3119
20 ORIGINAL DRAWING RETIRED

DESIGNER: CH. WILSON DATE: 11-27-80
DRAWN: J.T. MOORE DATE: 11-27-80
CHECKED: S. STRONGER DATE: 11-27-80
APP. BY: M. MOORE DATE: 12-28-80

DWG. NO. OFD-101A-1.4

9202110407